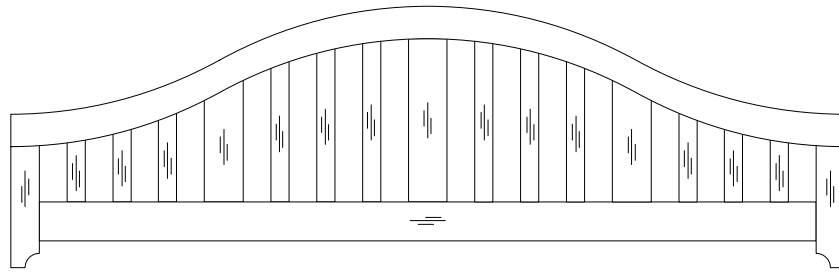
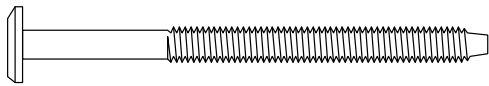


1A Parts in this Box.



Back Panel x 1

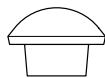
1B Hardware in this Box.



80mm Bolts x 4

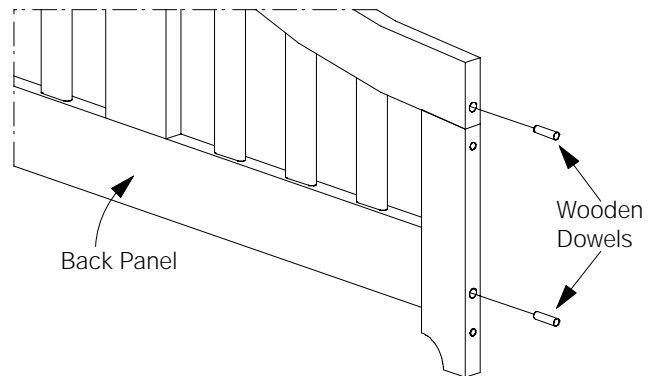


Wooden Dowels x 4

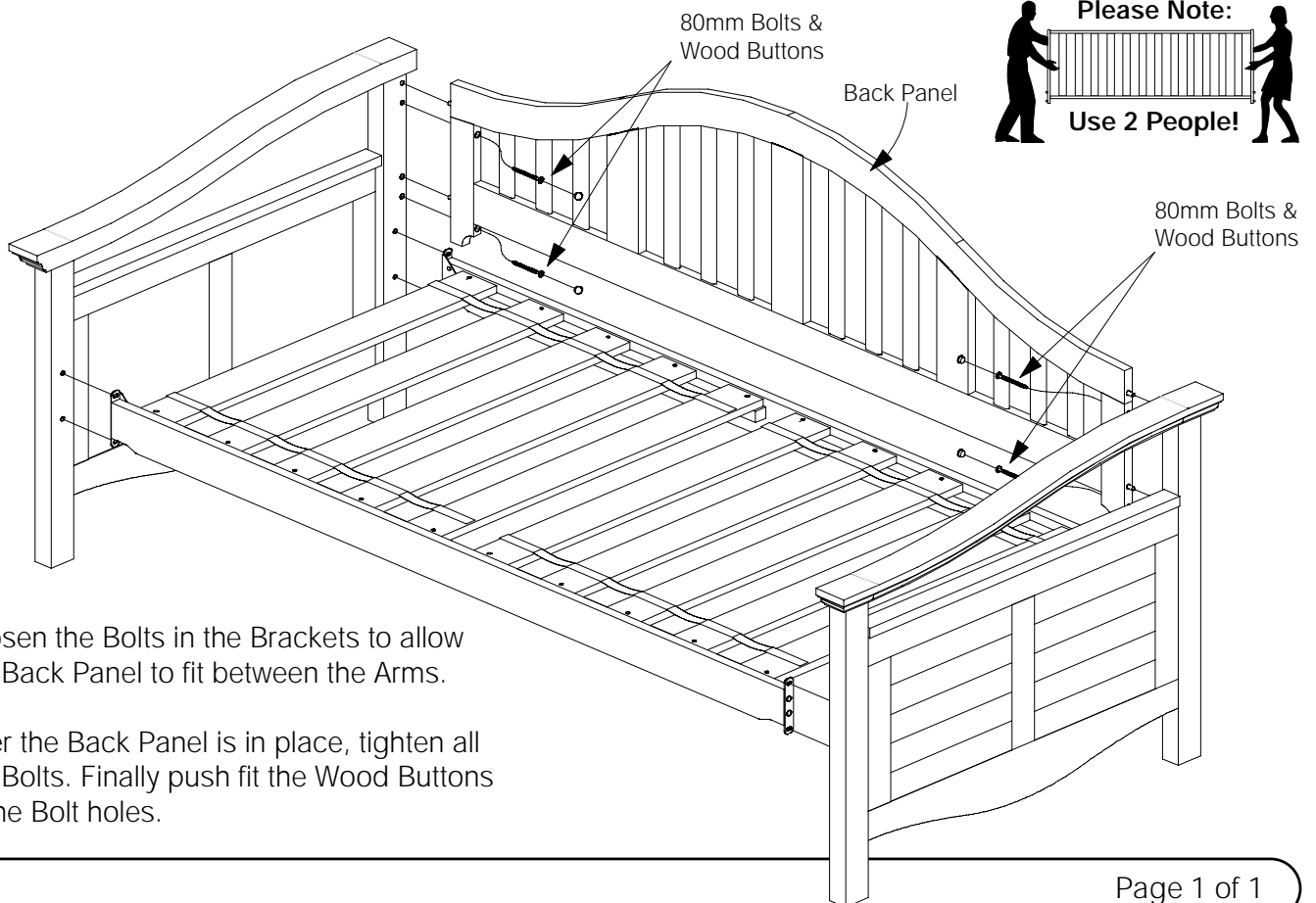


Wood Buttons x 4

1C Fit Wooden Dowels to Back Panel.



1D Bolt the Back Panel between the Daybed Arms



Loosen the Bolts in the Brackets to allow the Back Panel to fit between the Arms.

After the Back Panel is in place, tighten all the Bolts. Finally push fit the Wood Buttons in the Bolt holes.