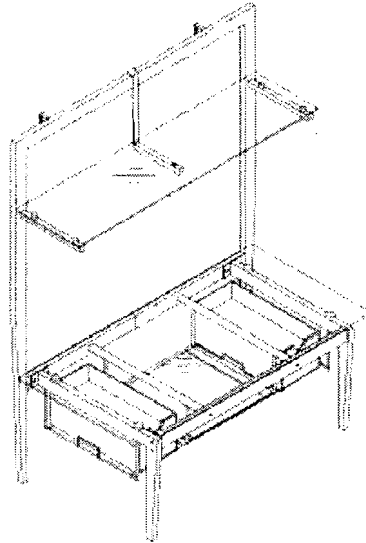


4D CONCEPT  
HOME THEATER

83160



NEED ASSISTANCE ?

Call 4D CONCEPTS directly for parts or assemble assistance

**Individual stores do not stock part**

Call our Toll-free number Five days a week, except holidays :

Monday through Friday 8:00am to 5:00pm

West Coast Time

1-888-310-4326

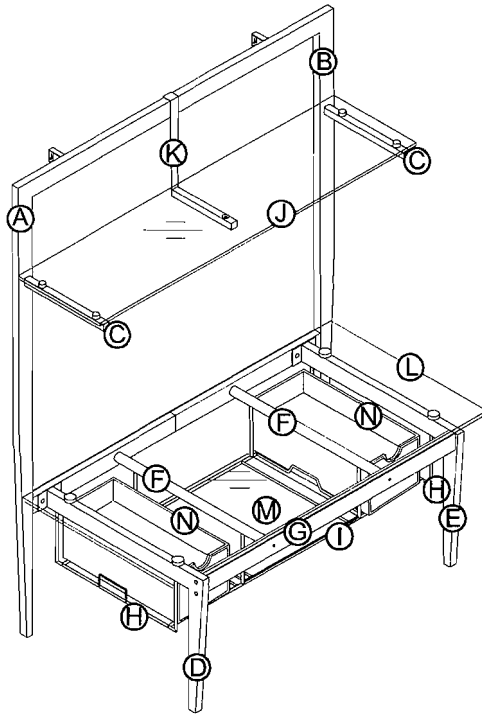
**Important:** Before calling for assistance, please have the Model number, Part number, and Packing code ready for one of our Customer Service Representatives. You will find the model number and part number on the first pages of the instruction sheet. You will find the packing code jet printed or stamped on the long side of the carton.

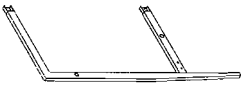

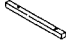
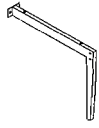
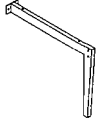
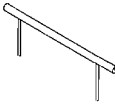

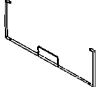
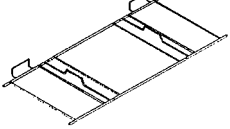

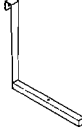
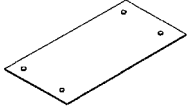
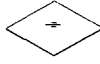
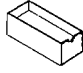
MODEL # : \_\_\_\_\_

PACKING CODE # : \_\_\_\_\_

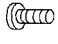
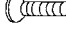

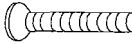
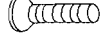

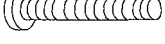
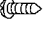



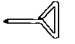
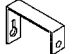
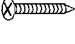

It's important that you retain the model number and the packing code along with the original receipt of purchase for future reference.

# Panels

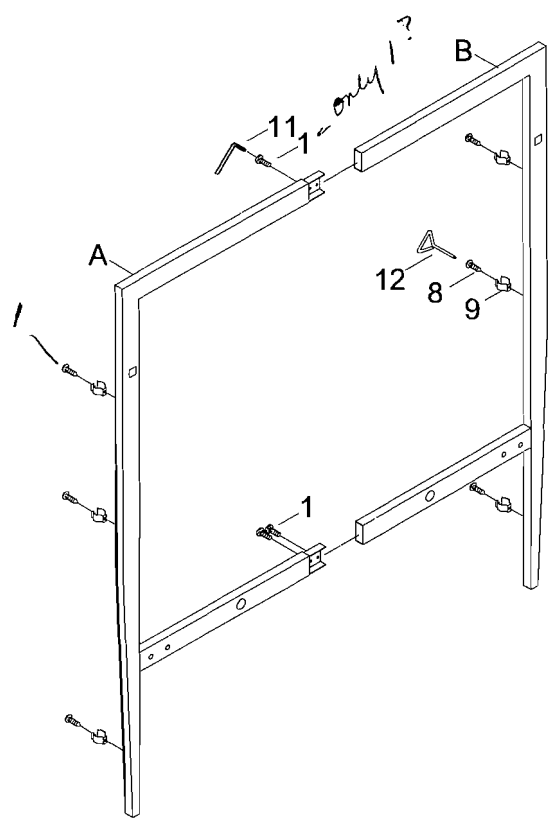


|   |   |  |   |
|---|---|--|---|
| <br>1x  | <br>1x  | <br>2x   | <br>1x  |
| <br>1x | <br>2x | <br>1x | <br>2x |
| <br>1x | <br>1x | <br>1x | <br>1x |
| <br>1x | <br>2x |  |   |

# Fittings

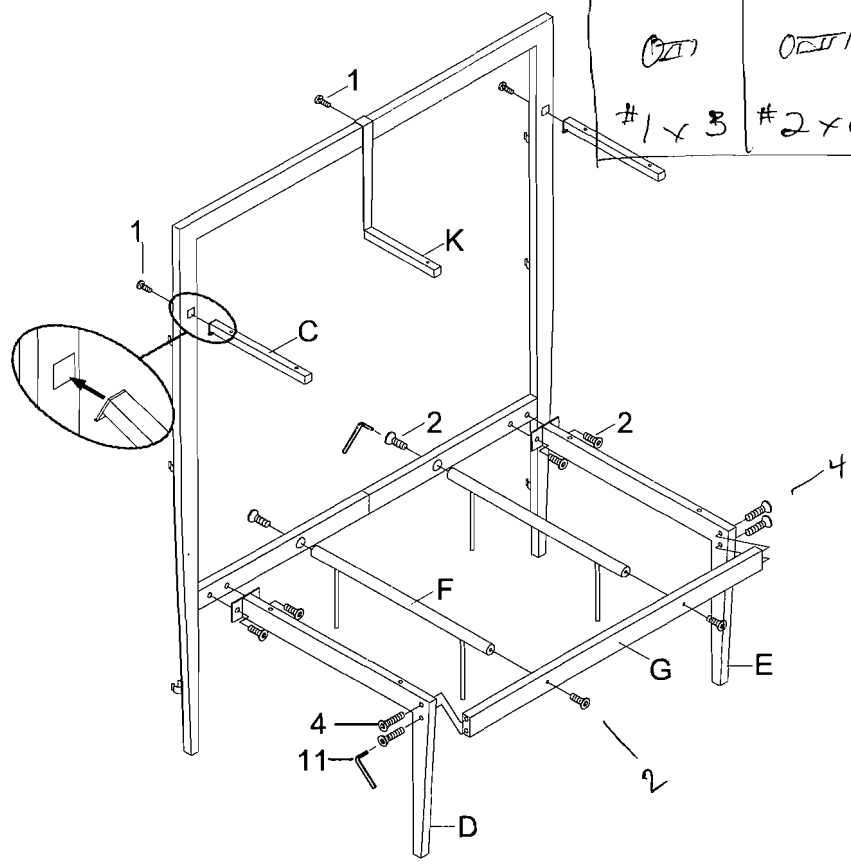
|   |  |   |  |  |  |  |  |
|---|--|---|--|--|--|--|--|
| <br>M6*15<br>12x | <br>M6*20<br>8x | <br>1x | <br>M6*45<br>4x | <br>M6*27<br>4x | <br>M5*20<br>8x   | <br>M6*57<br>4x | <br>Ø5.5*18<br>6x |
| <br>6x           | <br>4x          | <br>1x | <br>1x          | <br>2x          | <br>Ø4.5*30<br>2x | <br>2x          |  |

1




#1 x 10 #9 x 6

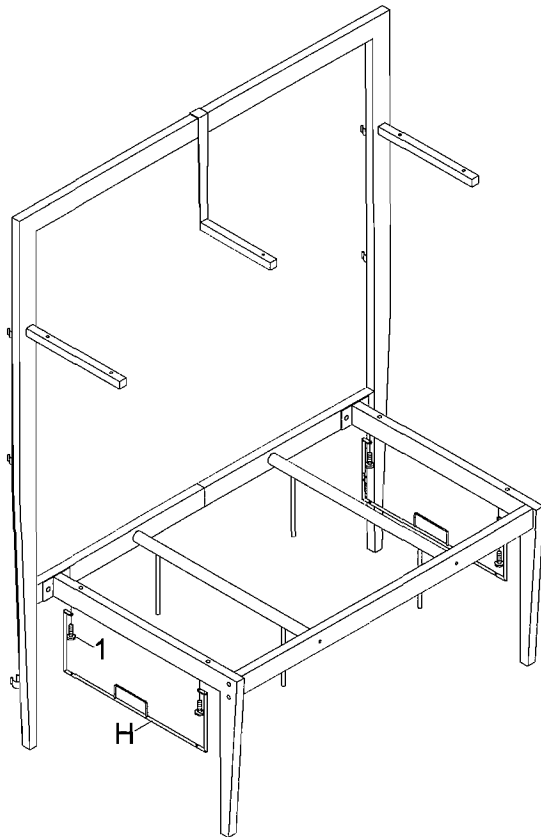
2



#1 x 3 #2 x 8 #4 x 4

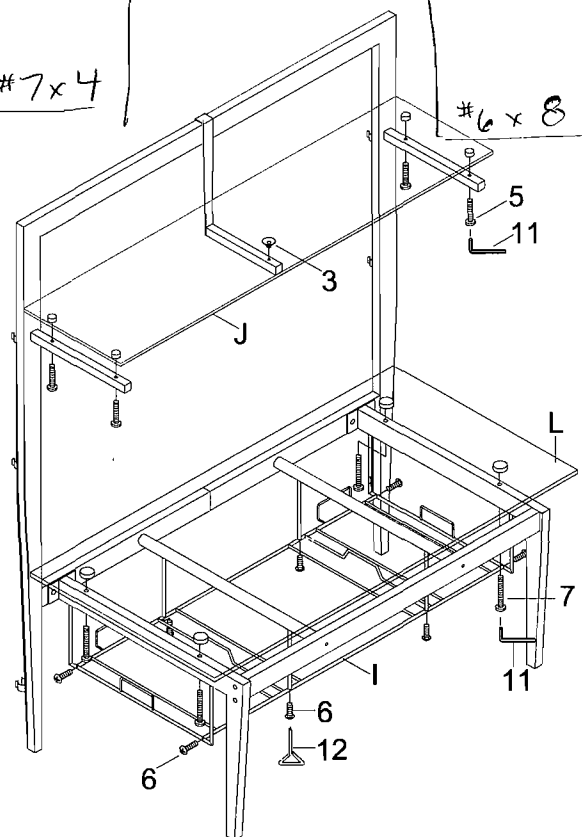
3

  
#1 x 4




4

#7 x 4      #6 x 8      #3 x 1      #5 x 4



5

|   |                   |                   |
|---|-------------------|-------------------|
|  | <del>CRACKS</del> | <del>CRACKS</del> |
| #127  | #4x2              | #15x2             |

IMPORTANT!

