

4 DC RECYCLE/LAUNDRY CABINET W/DOOR

MODEL: 76423

NEED ASSISTANCE ?

Call 4D CONCEPTS directly for parts or assembly assistance.

Individual stores do not stock parts

Call our Toll-free number 5 days a week except holidays:

Monday through Friday 8.00am to 5.00pm

Pacific Standard Time

1-888-310-4DCO or 1-888-310 4326

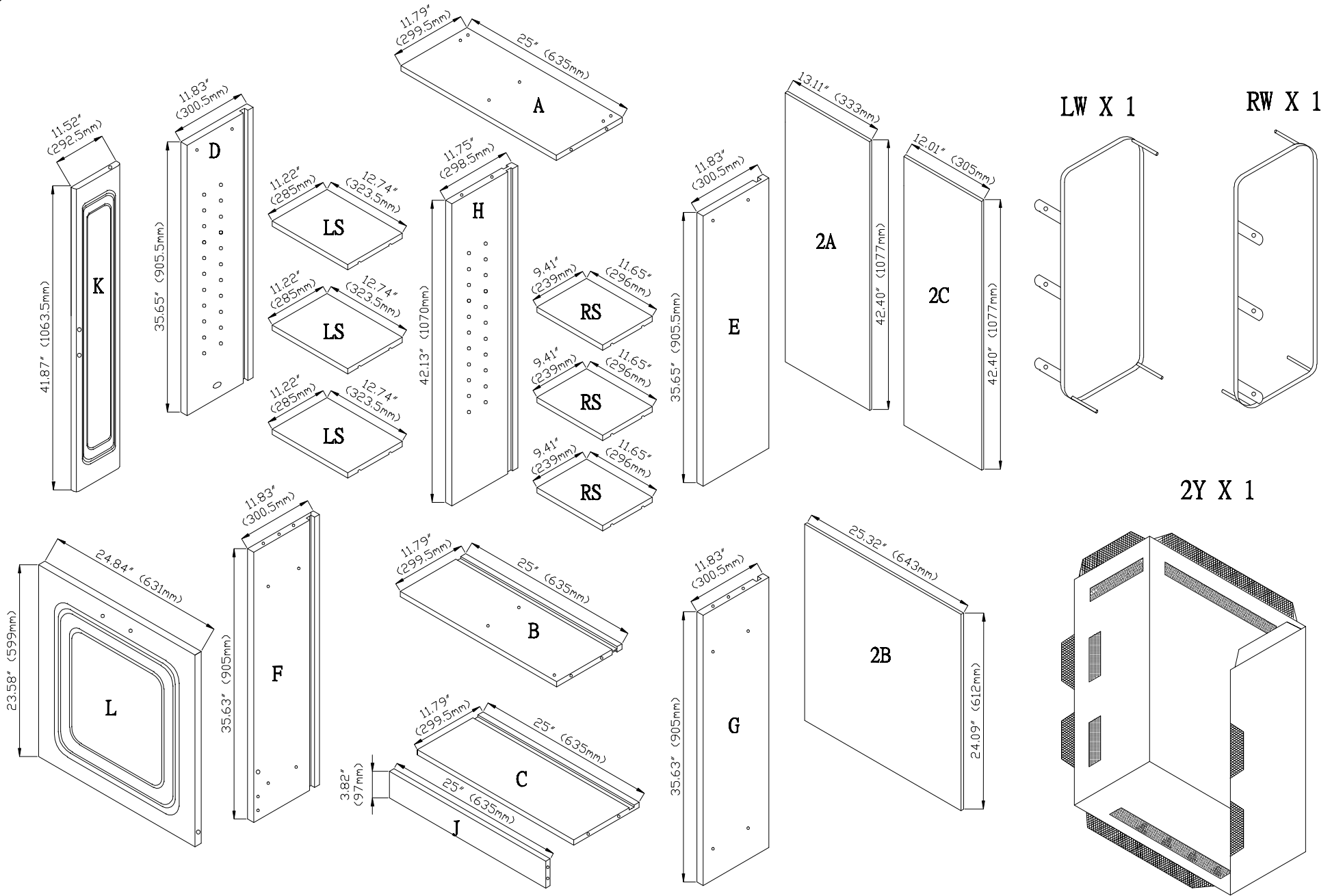
IMPORTANT: Before calling please have the model number
and the packing code number ready for our customer service representatives.

You will find the model number printed on the carton label and the packing
code printed in black ink on the side of the carton.

Model 76423 Packing code

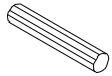
It is important that you retain the model number and the packing code
along with the original receipt of purchase for future reference.

Made in China

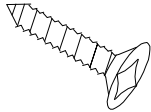


76423 ASSEMBLY INSTRUCTION

M X 8
6 X 30 mm



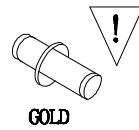
N X 16
8# X 38 mm



P X 24



2V X 2



2R X 1



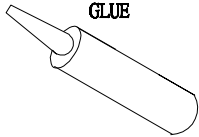
Q X 1
(FIXED DOOR HINGE)



R X 1
(SPRUNG DOOR HINGE)



2K X 1
GLUE



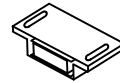
U X 2



2S X 4
3 X 12 mm



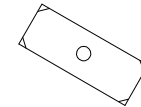
S X 2



2T X 2
3 X 10 mm



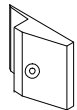
T X 2



3U X 2
3.5 X 10 mm



2Z X 12



3Z X 12
3 X 14 mm



GOLD

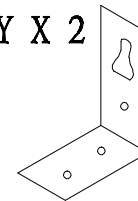
V X 4
4 X 25 mm



W X 2



Y X 2



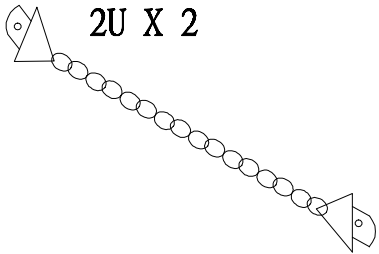
Z X 4
4 X 10 mm



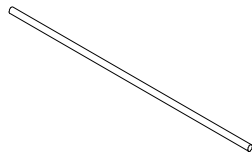
1Z X 6
4 X 14 mm



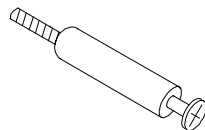
2U X 2



2W X 3



2M X 2



2N X 2



2P X 4
4 X 32 mm



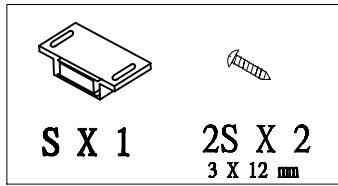
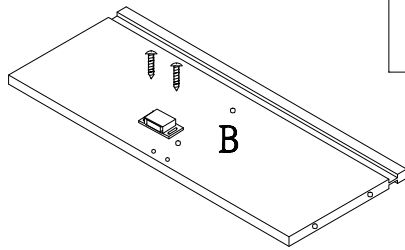
2Q X 4
5.5 X 26 mm



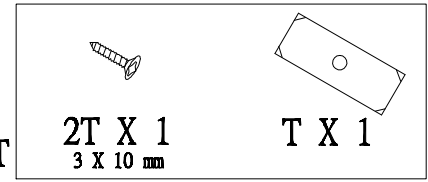
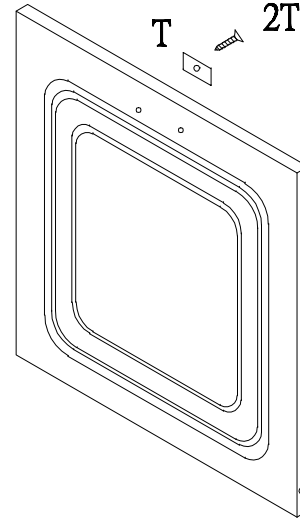
Sticker X 12



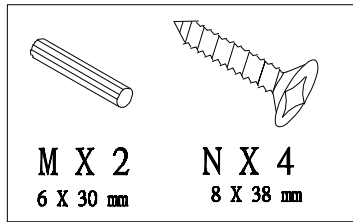
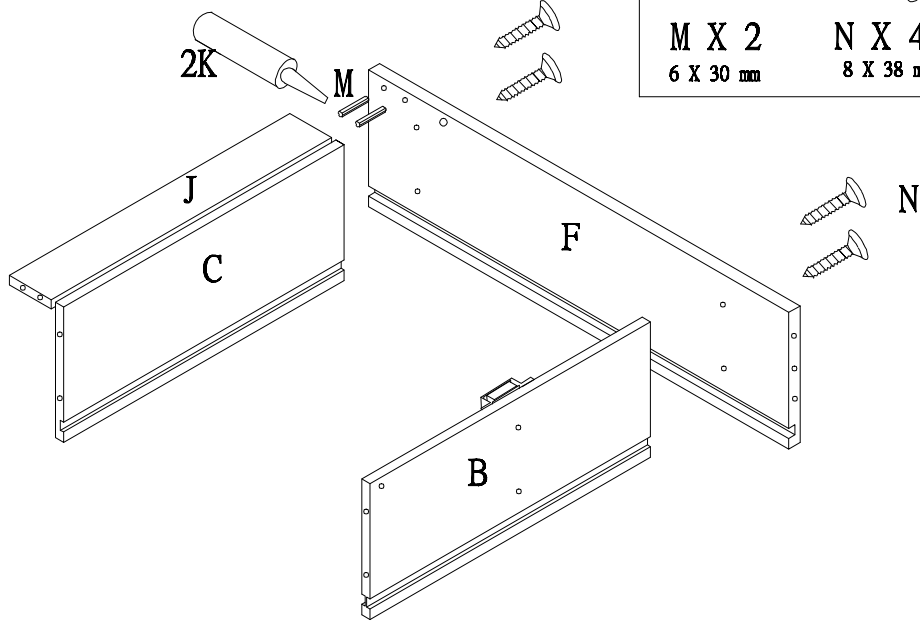
STEP 1



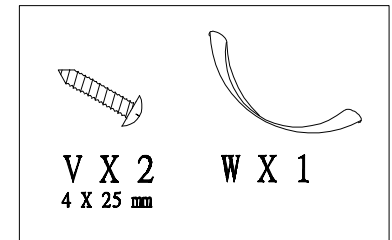
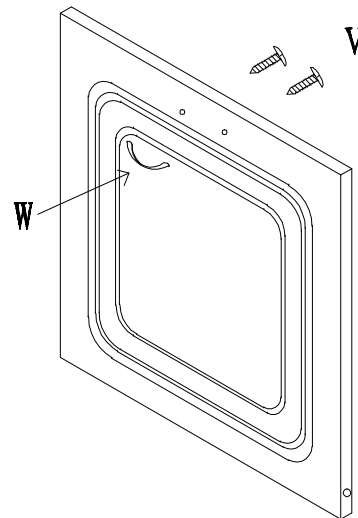
STEP 3

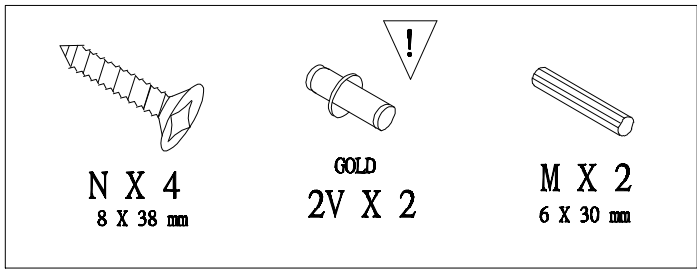


STEP 2

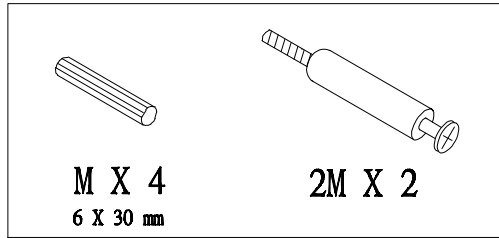
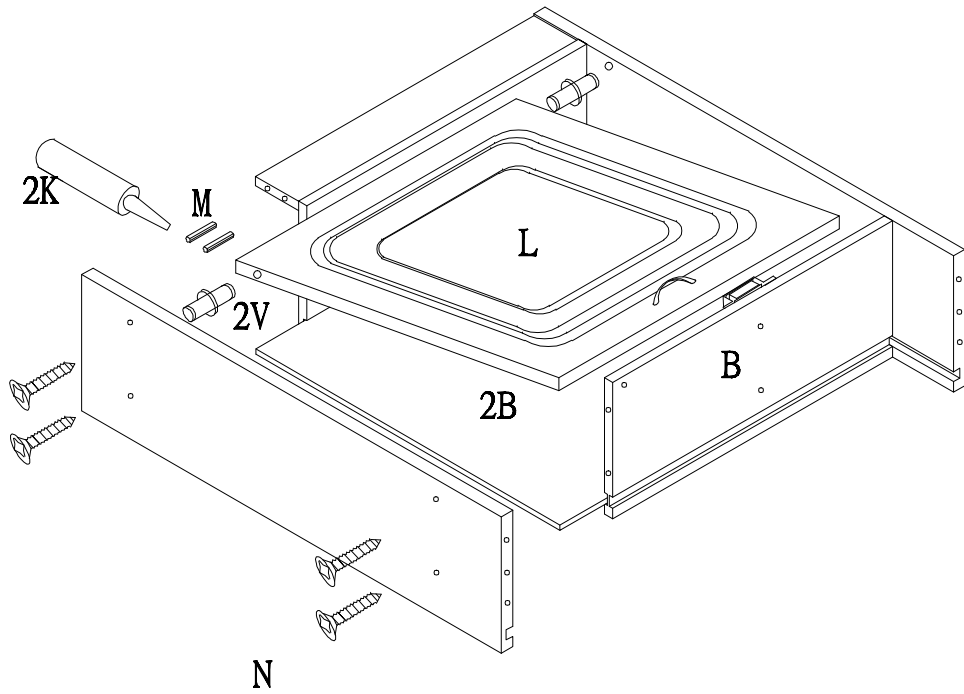


STEP 4

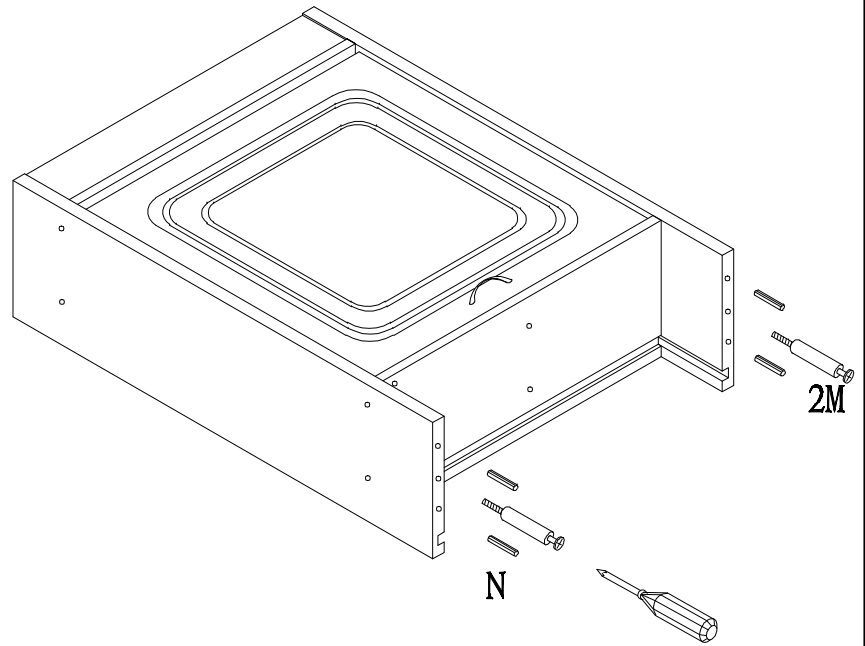




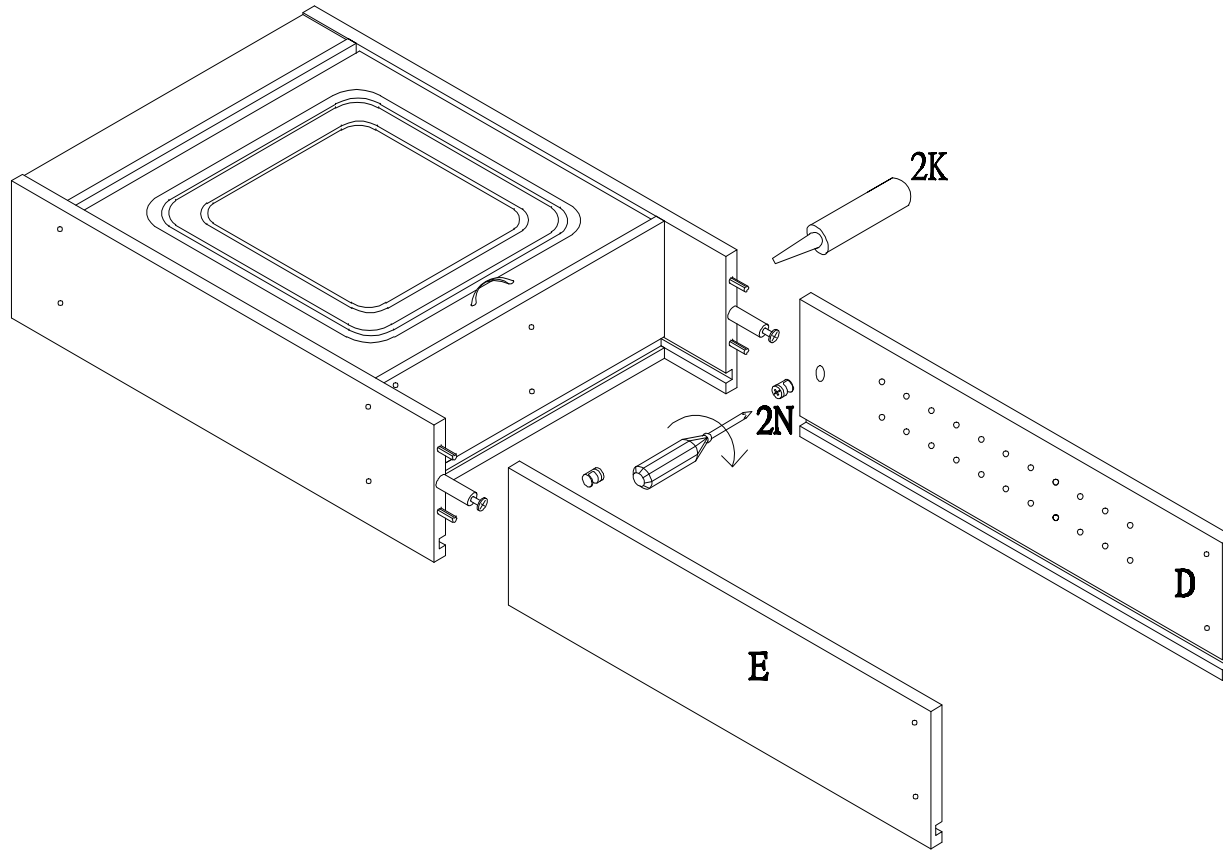
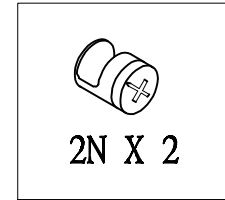
STEP 5



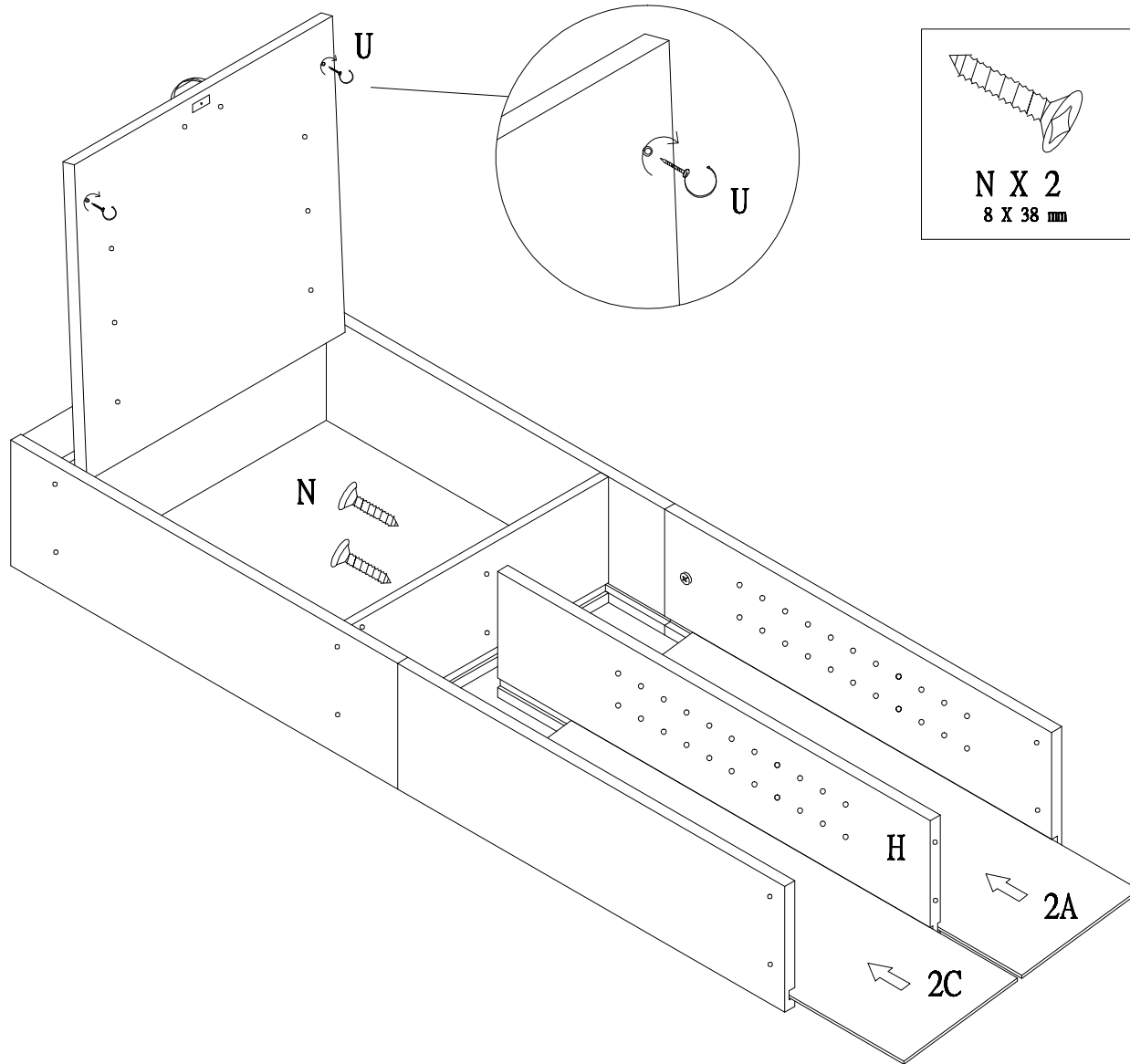
STEP 6

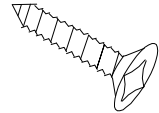



STEP 7

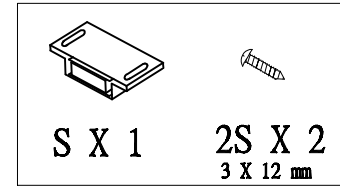
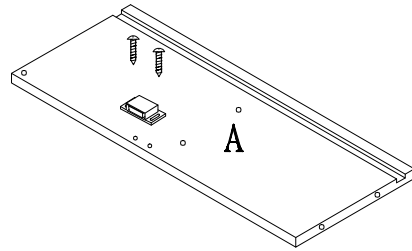


STEP 8

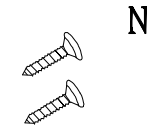
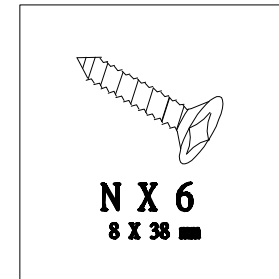
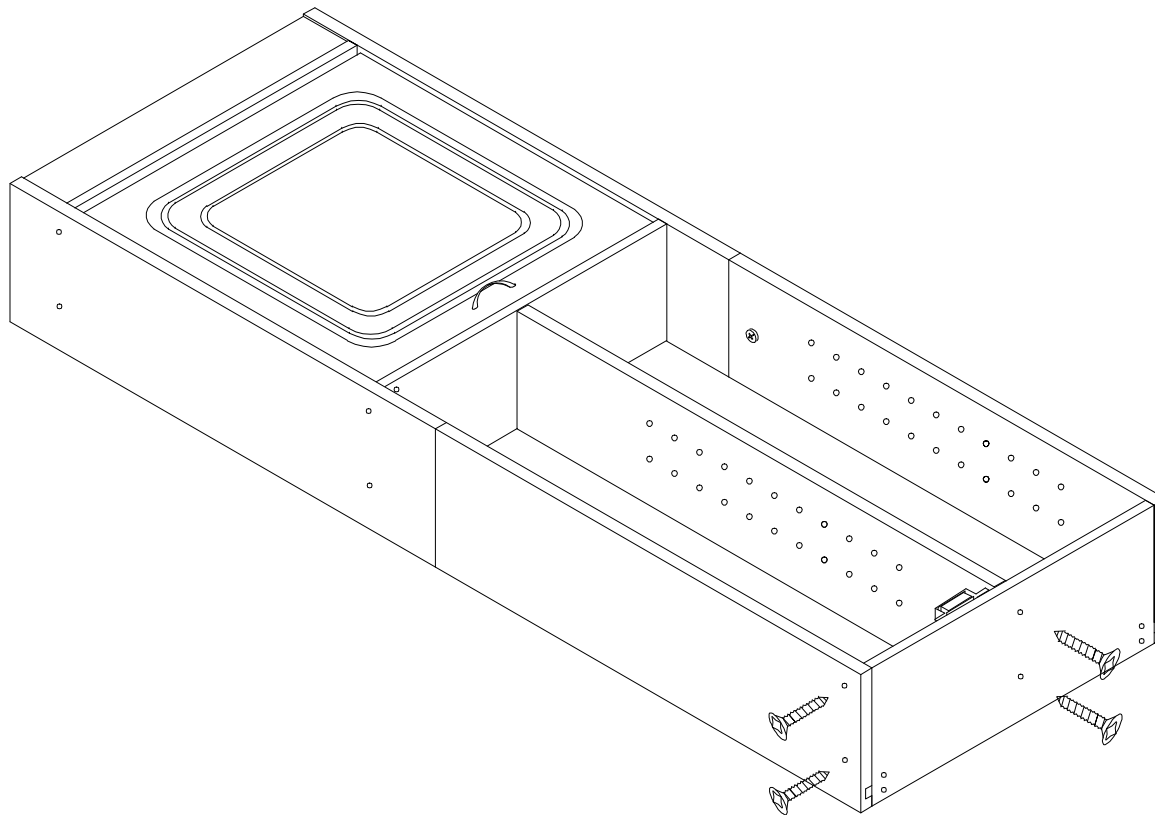


	
N X 2 8 X 38 mm	U X 2

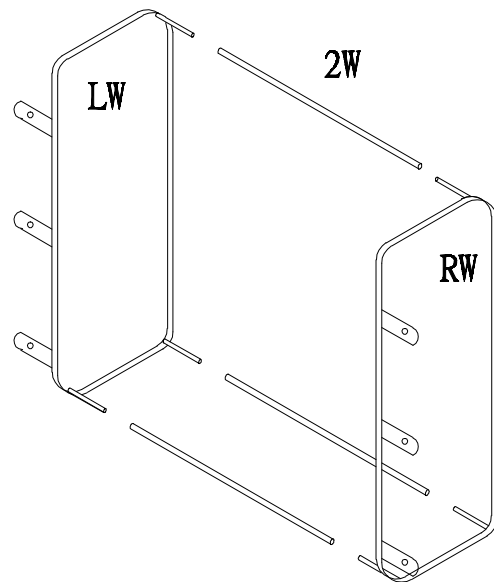
STEP 9



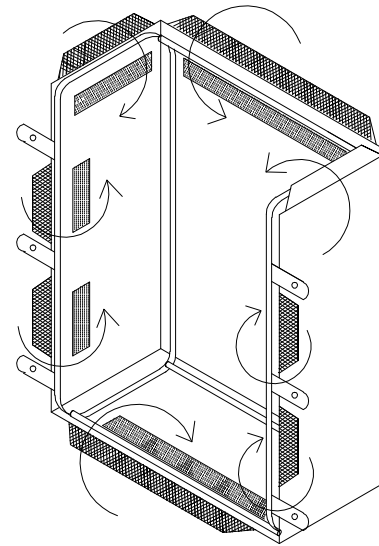
STEP 10



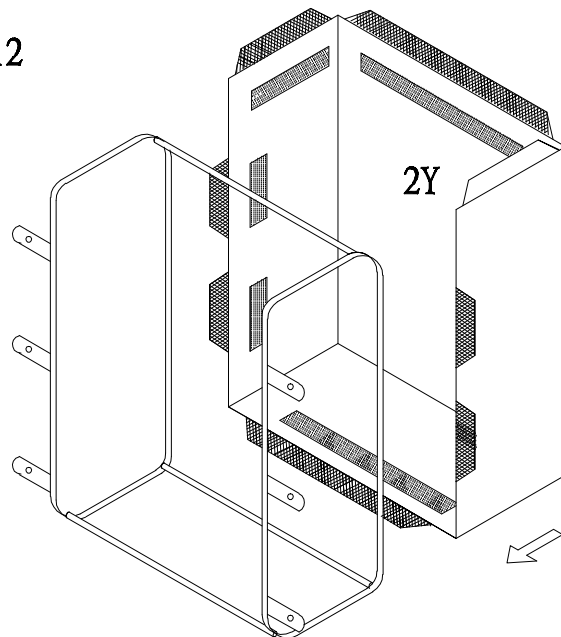
STEP 11



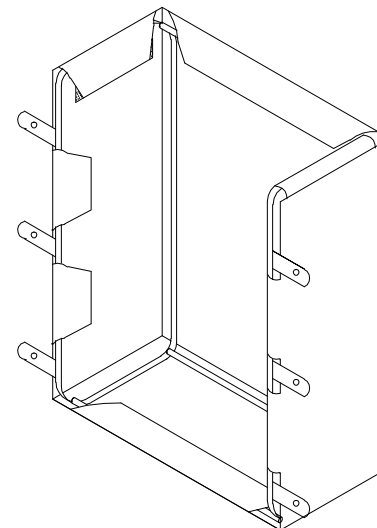
STEP 13



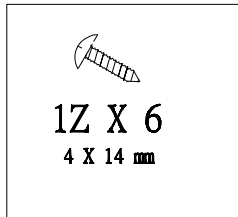
STEP 12



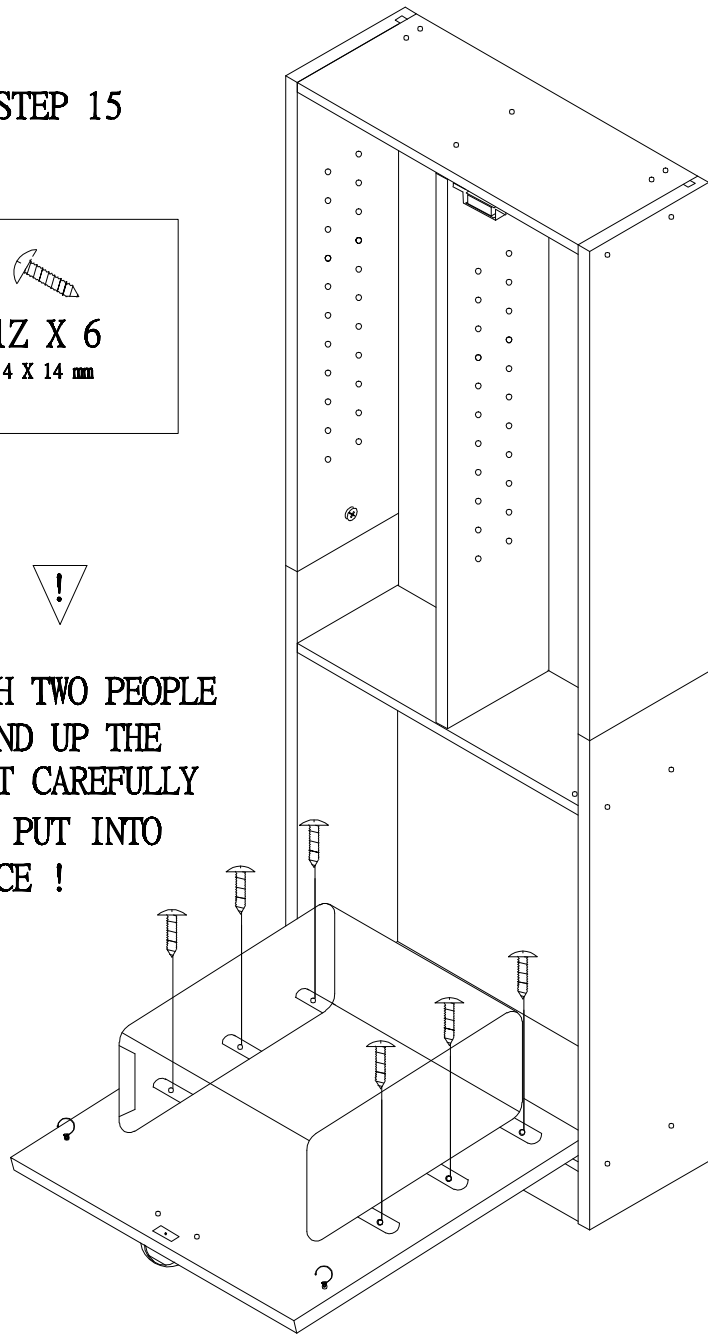
STEP 14



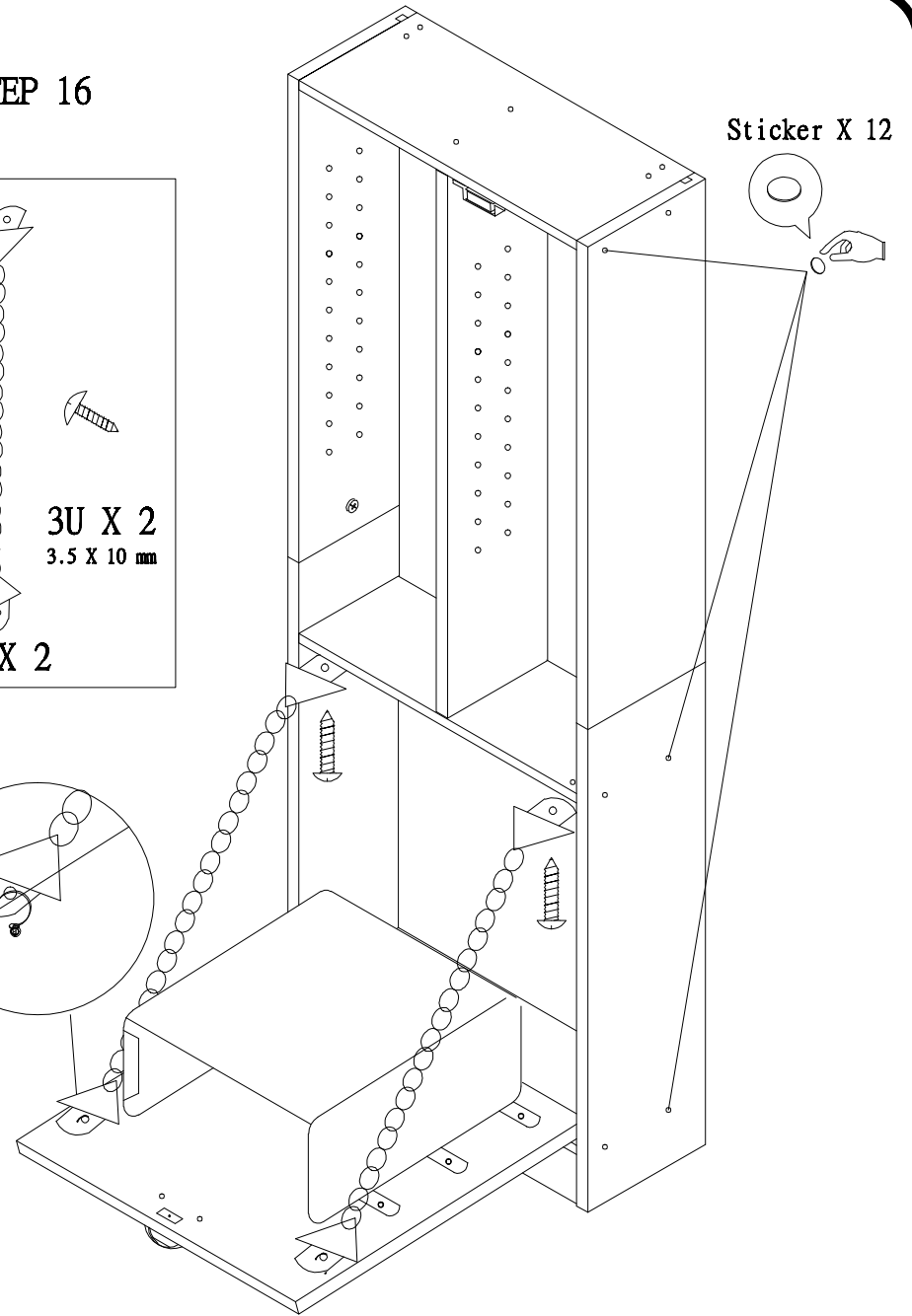
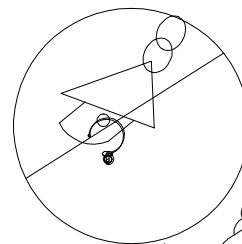
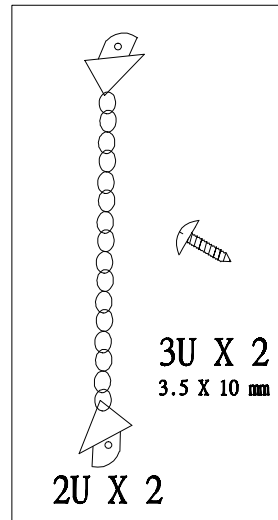
STEP 15



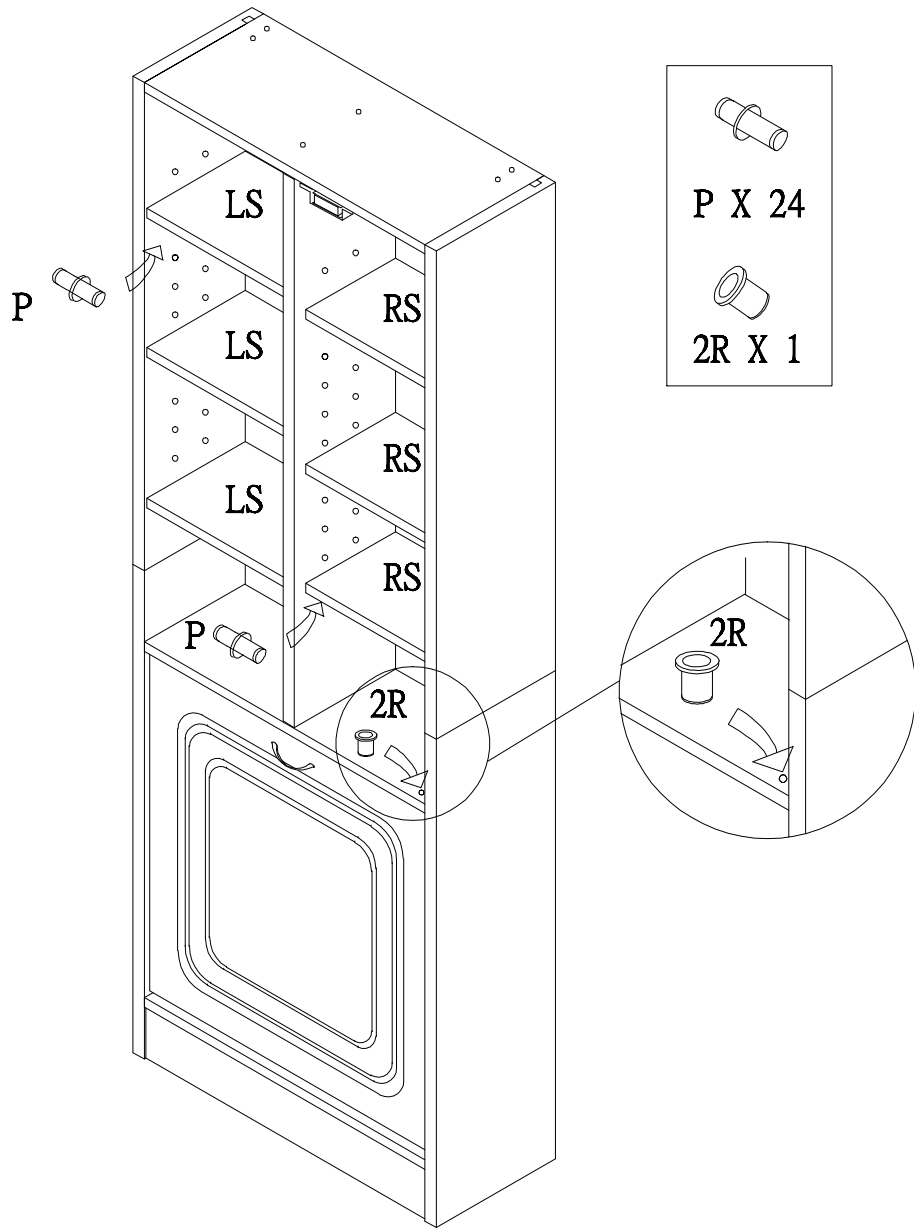
WITH TWO PEOPLE
STAND UP THE
UNIT CAREFULLY
AND PUT INTO
PLACE !



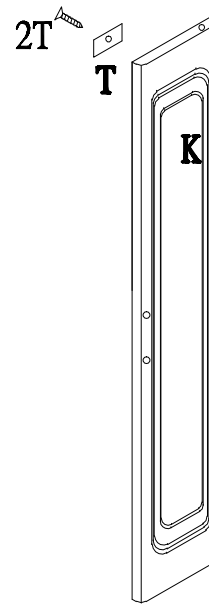
STEP 16



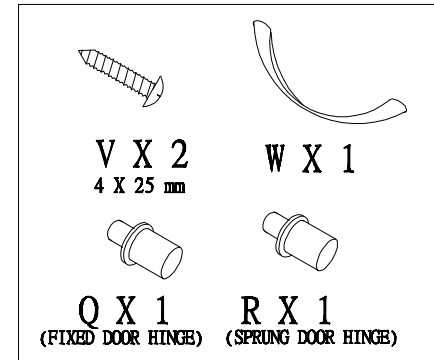
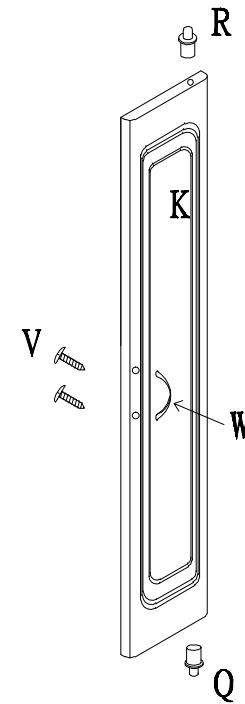
STEP 17



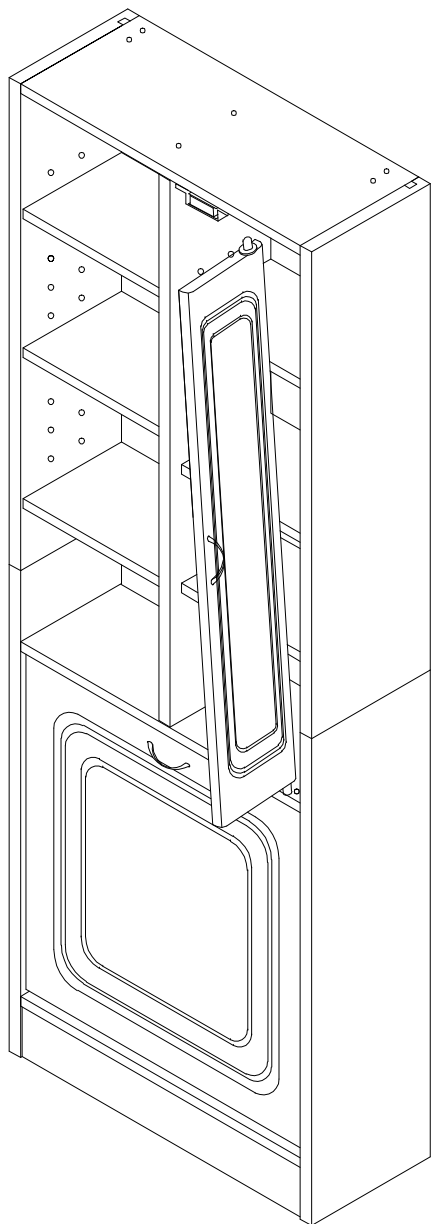
STEP 18



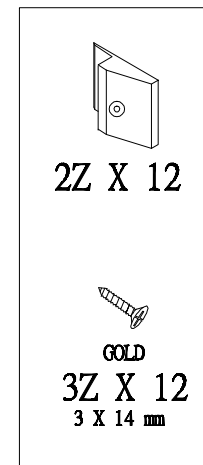
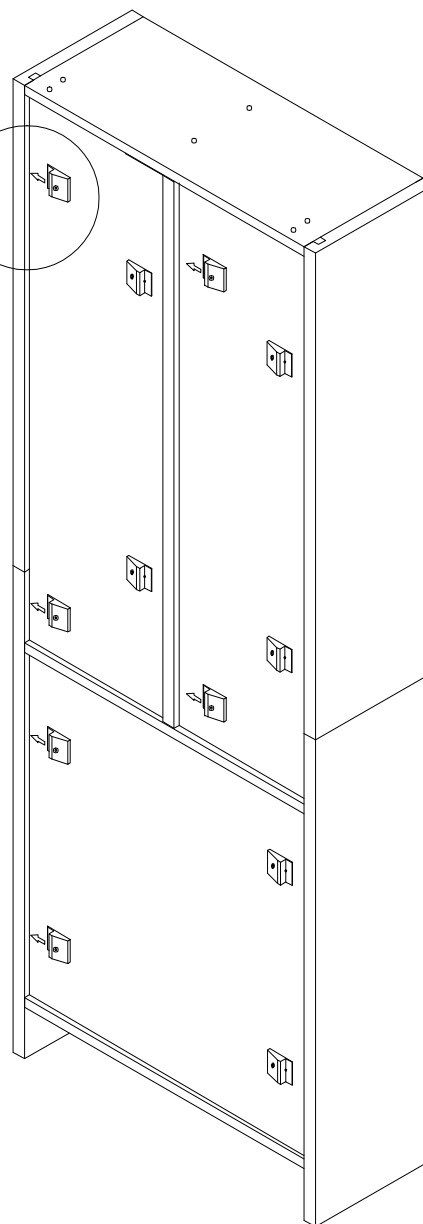
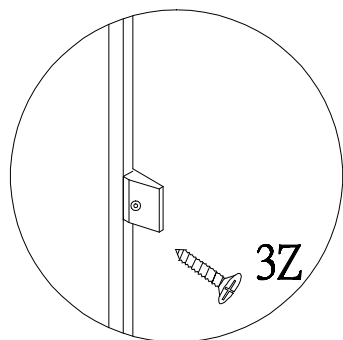
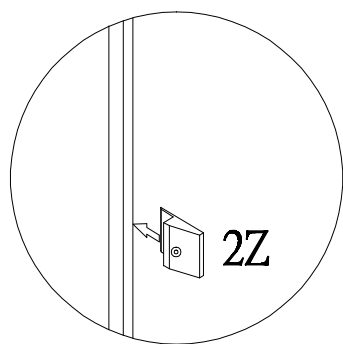
STEP 19



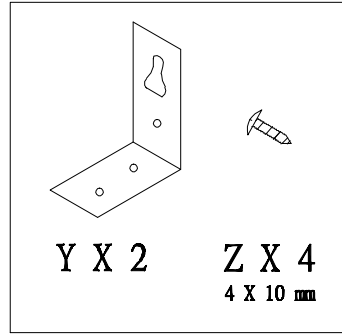
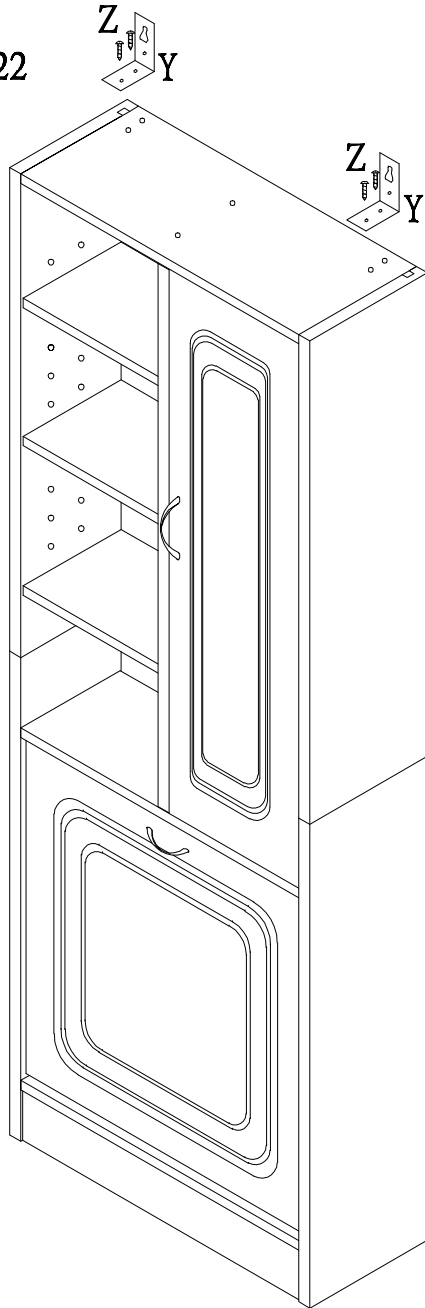
STEP 20



STEP 21



STEP 22



STEP 23

