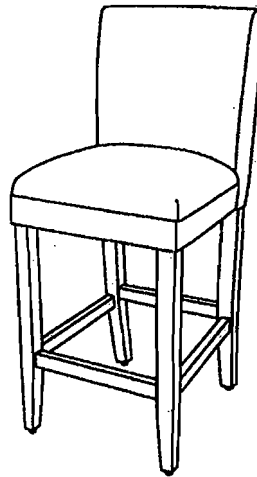




**4D CONCEPT**  
**DELUXE BARSTOOL/BROWN**

**555401**



**NEED ASSISTANCE ?**

Call 4 D CONCEPTS directly for parts or assemble assistance

**Individual stores do not stock part**

Call our Toll free number Five days a week, except holidays :

Monday through Friday 8:00am to 5:00pm

West Coast Time

1 - 888 - 310 - 4326

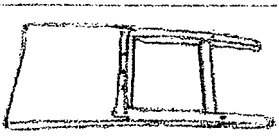
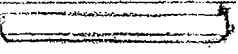

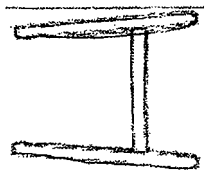
**Important :** Before calling for assistance, please have the Model number, Part number, and Packing code ready for one of our Customer Service Representatives. You will find the model number and part number on the first pages of the instruction sheet. You will find the packing code jet printed or stamped on the long side of the carton.

MODEL # : \_\_\_\_\_

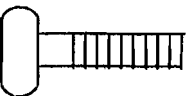
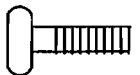
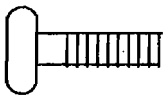



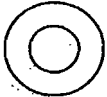


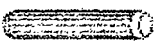



PACKING CODE # : \_\_\_\_\_

It's important that you retain the model number and the packing code along with the original receipt of purchase for future reference.

## PARTS IDENTIFICATION

<b>(1)</b>		<b>1PC</b>	<b>(3)</b>		<b>2PCS</b>
<b>(2)</b>		<b>1PC</b>	<b>(4)</b>		<b>1PC</b>

## HARDWARE IDENTIFICATION

<b>A</b>	 $\phi 5/16" \times 90\text{mm}$	<b>4PCS</b>	<b>G</b>	 $\phi 1/4" \times 45\text{mm}$	<b>2PCS</b>
<b>B</b>	 $\phi 5/16" \times 70\text{mm}$	<b>2PCS</b>	<b>H</b>	 $\phi 1/4" \times 20\text{mm}$	<b>2PCS</b>
<b>C</b>	 $\phi 5/16" \times 60\text{mm}$	<b>4PCS</b>	<b>I</b>	 $\phi 15\text{mm}$	<b>4PCS</b>
<b>D</b>	 $\phi 22\text{mm}$	<b>10PCS</b>	<b>J</b>	 $\phi 6\text{mm}$	<b>4PCS</b>
<b>E</b>	 $\phi 8\text{mm}$	<b>10PCS</b>	<b>K</b>		<b>1PC</b>
<b>F</b>	 5mm	<b>1PC</b>	<b>L</b>		<b>1PC</b>
<b>M</b>	 4mm	<b>1PC</b>			

