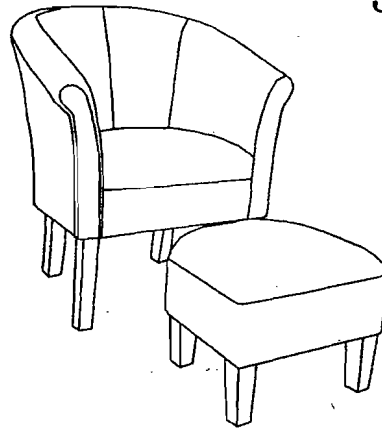


4D CONCEPT

CHAIR AND OTTOMAN

556218



NEED ASSISTANCE ?

Call 4 D CONCEPTS directly for parts or assemble assistance

Individual stores do not stock part

Call our Toll-free number Five days a week, except holidays :

Monday through Friday 8:00am to 5:00pm

West Coast Time

1 - 888 - 310 - 4326

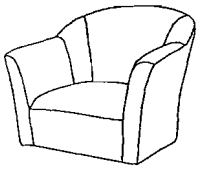
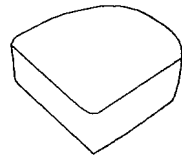
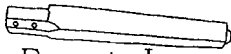
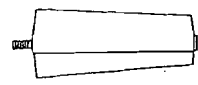
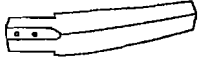
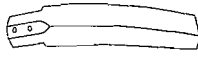
Important : Before calling for assistance, please have the Model number, Part number, and Packing code ready for one of our Customer Service Representatives. You will find the model number and part number on the first pages of the instruction sheet. You will find the packing code jet printed or stamped on the long side of the carton.

MODEL # : _____



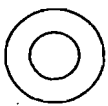
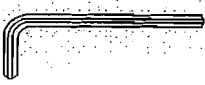
PACKING CODE # : _____

It's important that you retain the model number and the packing code along with the original receipt of purchase for future reference.

PARTS IDENTIFICATION

(1)		1PC	(5)		1PC
(2)	 Front Leg	2PCS	(6)		4PCS
(3)	 Left back Leg	1PC			
(4)	 Right back Leg	1PC			

HARDWARE IDENTIFICATION

A		$\phi 5/16'' \times 45\text{mm}$	8PCS
B		$\phi 8\text{mm}$	8PCS
C		$\phi 22\text{mm}$	8PCS
D		$\phi 5\text{mm}$	1PC

