

4DC BURNETT SLIPPER CHAIR

MODEL: 778611

NEED ASSISTANCE ?

Call 4D CONCEPTS directly for parts or assembly assistance.

Individual stores do not stock parts

Call our Toll-free number 5 days a week except holidays:

Monday through Friday 8.00am to 5.00pm

Pacific Standard Time

1-888-310-4DCCO or 1-888-310 4326

IMPORTANT: Before calling please have the model number

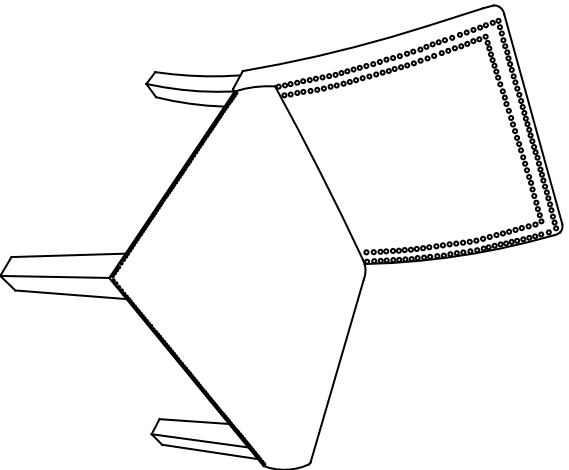
and the packing code number ready for our customer service representatives.

You will find the model number printed on the carton label and the packing code printed in black ink on the side of the carton.

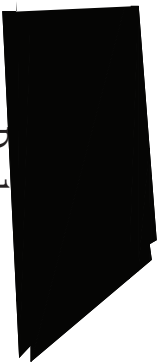
Model 778611 Packing code

It is important that you retain the model number and the packing code along with the original receipt of purchase for future reference.

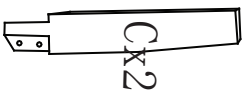
Made in China



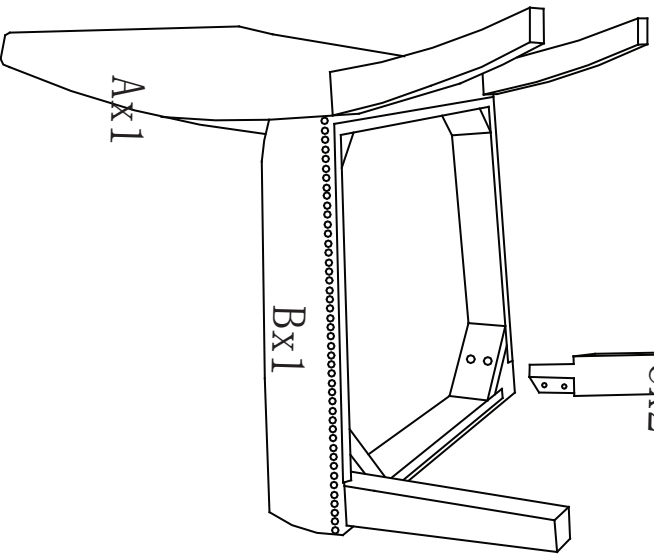
778611 ASSEMBLY INSTRUCTION



Dx1

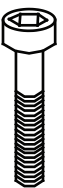


Cx2

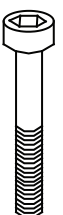


Ax1

Bx1



Fx5



Fx4



Gx9

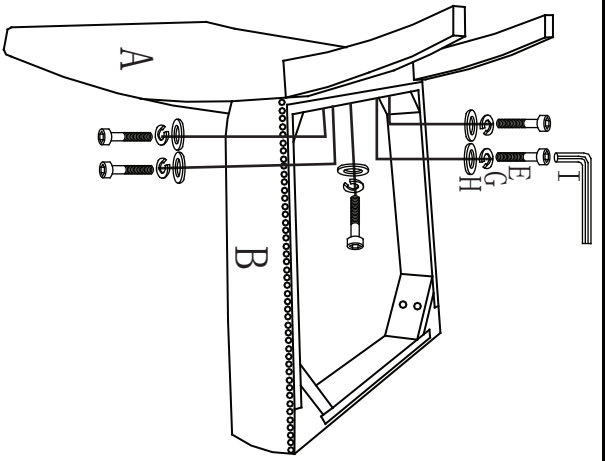


Hx9

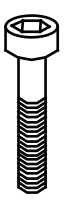


Ix1

STEP 1



Ex5



Gx5



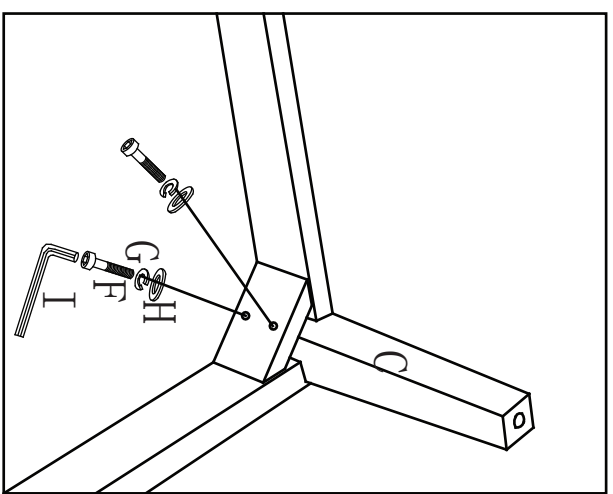
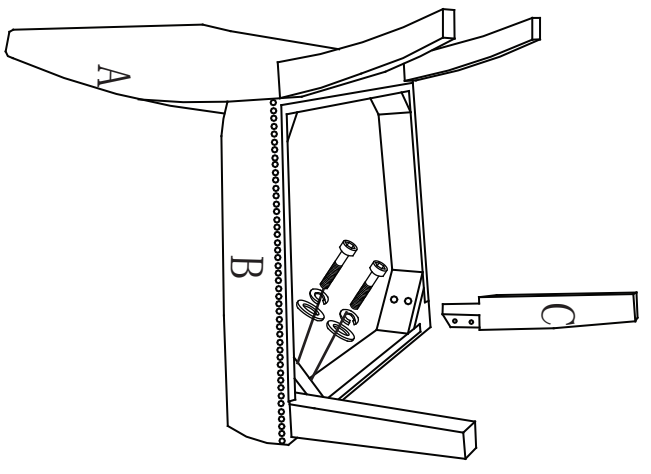
Hx5



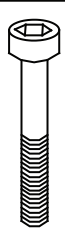
Ix1



STEP 2



Fx4



Gx4



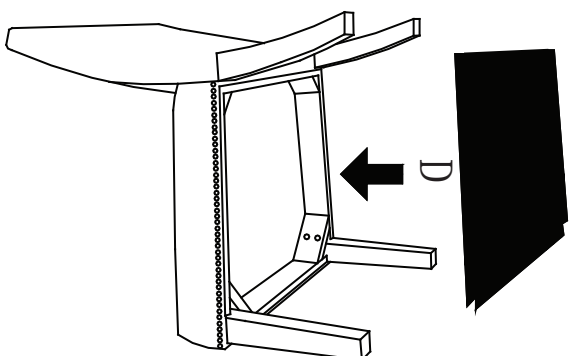
Hx4



Ix1



STEP 3



STEP 4

