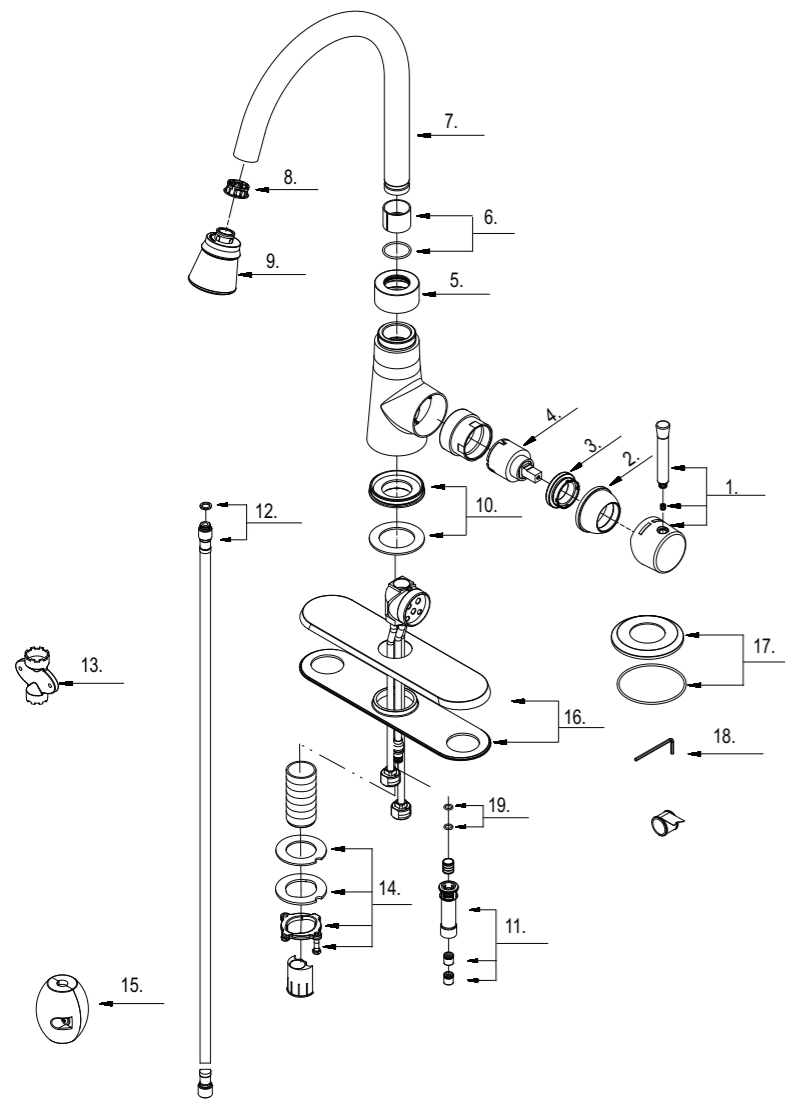


## Replacement Parts

Keep this manual for ordering replacement parts.



- 1 Metal Handle Assembly
- 2 Trim Cap
- 3 Locking Nut
- 4 Ceramic Disc Cartridge
- 5 Adapter
- 6 Spout Seal Kit
- 7 Tube Assembly
- 8 Hose Guide
- 9 Spray Head
- 10 Body Trim Ring
- 11 Hose Adaptor Assembly
- 12 Supply Hose
- 13 Aerator Wrench
- 14 Mounting Hardware Assembly
- 15 Weight
- 16 Cover Plate & Putty Plate
- 17 Body Trim Ring
- 18 Hex Wrench (H2.5 \* 19 mm L \* 53 mm L)
- 19 O-Ring set (Φ 1/4" ID \* Φ 3/8" OD)

## Trouble - Shooting

If you've followed the instructions carefully and your faucet still does not work properly, take these corrective steps.

Problem	Cause	Action
Leakage under the handle.	Adjusting ring or cap has come loose.	Tighten the adjusting ring or cap.
Aerator leaks or has an inconsistent water flow pattern.	Aerator is dirty or misfitted.	Unscrew the aerator to check rubber packing or replace the aerator.
Water will not shut off completely.	Dirty or worn out plastic washer in the cartridge.	Remove the handle and the cartridge to check if the ceramic dish is dirty or permanently damaged.

Contact Us Toll-Free at 1-800-775-0703; or visit our website at [www.kraususa.com](http://www.kraususa.com). © 2008-2009 Kraus USA Inc.

# Kräus®

Where Creativity Is Endless

Dear Valued Customer,

Kraus would like to take this opportunity to thank you for purchasing Kraus products. It is our sincere hope that you are completely satisfied with your new purchase. We welcome any questions or comments you may have, and look forward to assisting you in the future.

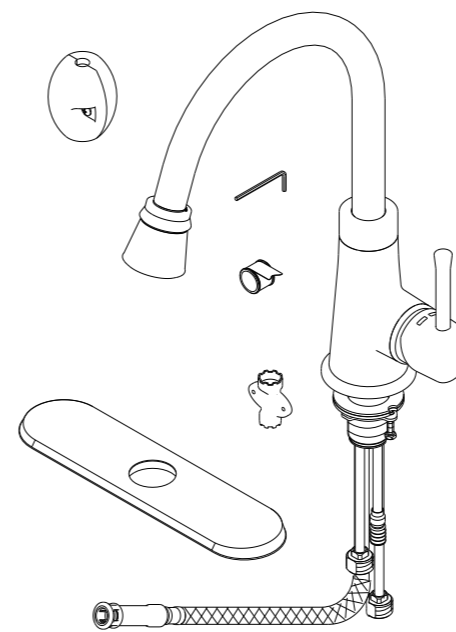
Sincerely,  
Kraus Customer Service Department.



## Single Control Kitchen Faucet

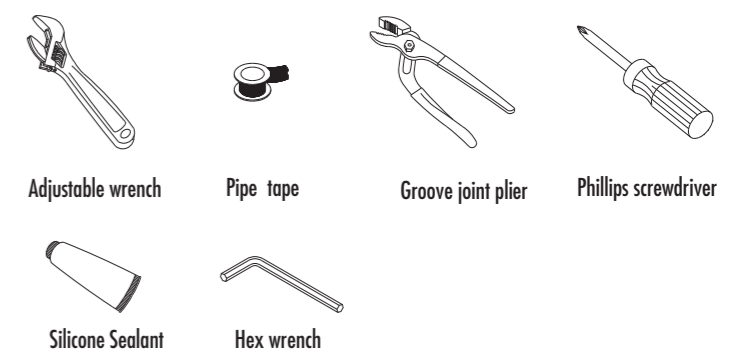
### Before Your Installation

Check to make sure you have the following parts indicated below:



Model
KPF-2220 CH
KPF-2220 SN
KPF-2220 ORB

### Tools You Will Need



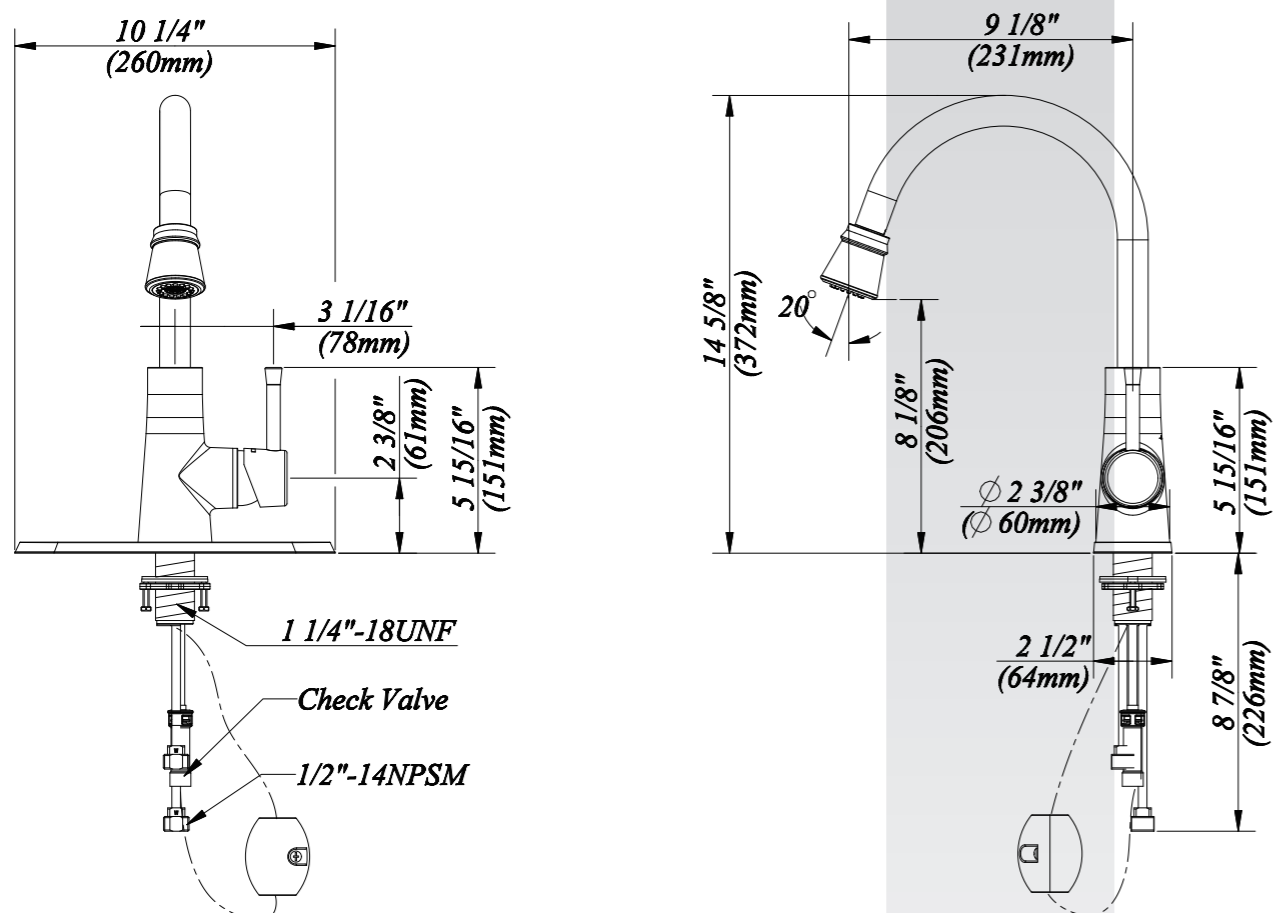
#### SAFETY TIPS

- Cover your drain to avoid losing parts.
- When installing flexible hose, please notice: there should be no torsion or deformation; do not fold into Shape V or L; do not use if there is any crack or deformation.

Contact Us Toll-Free at 1-800-775-0703; or visit our website at [www.kraususa.com](http://www.kraususa.com). © 2008-2009 Kraus USA Inc.

## Faucet Installation Procedure

Shut off main water supply before installation.



The fittings should be installed by a licensed plumber.

- 1 Attach cover plate to bottom of faucet with bottom Plate.  
**Note:** If the sink is with two holes, the cover plate is not installed. Attach body trim ring to bottom of faucet.
- 2 Place silicone sealant beneath the bottom plate and install faucet through center hole.
- 3 Attach rubber seal, metal washer, and lock nut on mounting body.

## MAINTENANCE

Your new faucet is designed for years of trouble-free performance. Keep it looking new by cleaning it periodically with a soft cloth. Avoid abrasive cleaners, steel wool and harsh chemicals as these will dull the finish and void your warranty.

- 4 Tighten the two screws on lock nut.
- 5 Remove the plastic seal cover from the outlet port prior to pushing the hose adapter onto the same port, you will hear a "click" sound once they are joined.
- 6 Attach metal weight to the hose to prevent hose from twisting. Return hose to proper position.
- 7 Tighten end of shank with wrench and slip hose into the inlet port.
- 8 Remove spray head hose line. Turn on water and check for leakage. Replace spray head.

## KRAUS® Brand Kitchen Faucets Limited Lifetime Warranty

KRAUS is proud to offer its customers the strongest, most durable ceramic cartridges in all solid brass Kitchen Faucets it manufactures. KRAUS guarantees all of our products to be free of defect in materials and craftsmanship. All KRAUS BRAND Kitchen Faucets carry a limited lifetime warranty from the original date of purchase.

If a product fails due to defect in material or craftsmanship during the warranty period, KRAUS will repair or replace the items at our sole discretion. Warranty does not apply when the item has been tampered with, misused, improperly installed, altered, or damaged due to abuse or accident. Proof of purchase (original sales receipt) must be provided to KRAUS for all warranty claims. Please contact one of our representatives if you need any additional details.

All KRAUS products must be installed by a licensed professional plumber or contractor to avoid any improper use or installation.

IN NO EVENT SHALL KRAUS BE LIABLE FOR ANY INCIDENTAL, CONSEQUENTIAL OR SPECIAL DAMAGES, INSTALLATION COST, LABOR, TRAVEL TIME, FREIGHT COSTS INCURRED, LOST PROFITS, OR CONTINGENT LIABILITIES.

KRAUS USA Inc. makes no representation that its products comply with any or all local building or plumbing codes. It is the consumer's responsibility to determine local code compliance.

This warranty extends to the original purchaser and first consumer.

## MAINTENANCE

Your new faucet is designed for years of trouble-free performance. Keep it looking new by cleaning it periodically with a soft cloth. Avoid abrasive cleaners, steel wool and harsh chemicals as these will dull the finish and void your warranty.



AB1953 Compliant