

ESTON SERIES

Undermount 50/50 Double Bowl Model STD-2100



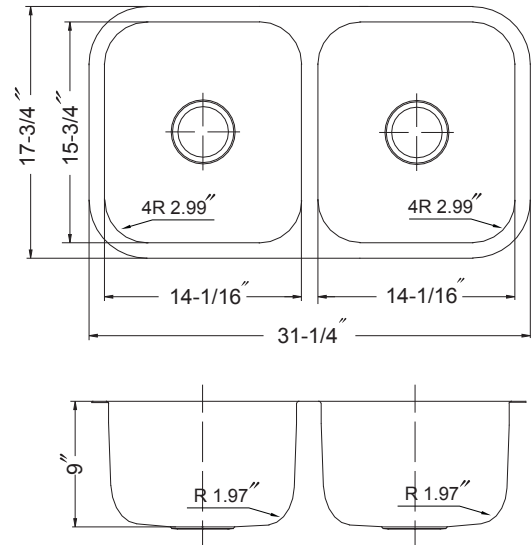
STD-2100

FEATURES

- Premium grade T-304 stainless steel
- 9" depth • 18 gauge
- StoneGuard™ undercoating over Super-Silencer pad
- Lustrous satin with highlighted rim
- Fits 36" sink base • 3-1/2" drain opening
- Supplied with cutout template, fasteners and instructions
- Complies with ASME A112.19.3-2000, UPC®
- 10 year Warranty



ASME A112.19.3-2000



OPTIONAL ACCESSORIES

Bottom Grid: BG-3100

Cutting Board : CB-3100

Rinsing Basket: RB-3100

Strainer: 190-9180

OVERALL DIMENSIONS	EACH BOWL	CUTOUT SIZE	PACKAGING*	WEIGHT*
31-1/4" x 17-3/4"	14-1/16" x 15-3/4"	See Template	1/16/20 pcs.	22/380/420 lbs.

*Standard packaging: Single boxed /Pallet of single boxed/Pallet of bulk pack.
All dimensions are in inches. Specifications subject to change without notice.

Project/Job name

Architect/Engineer

Contractor

Model

Q'ty

Notes

Installation profile

