



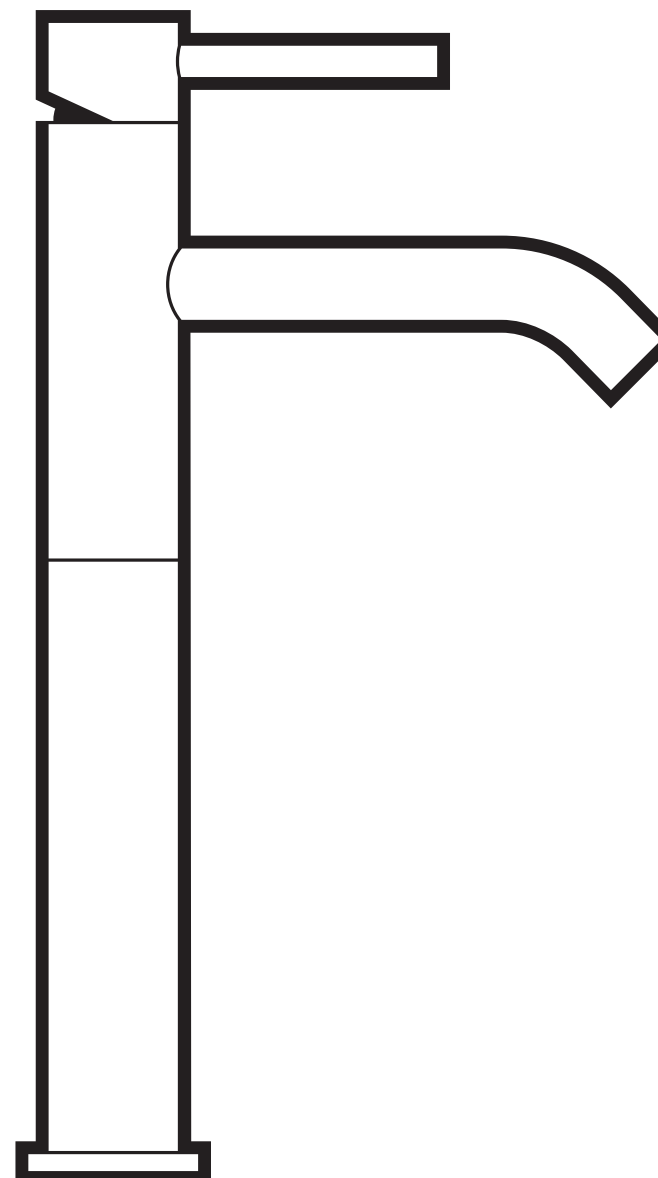
TECHNO 25

technical specifications

225 101 XXX

Single handle high profile lavatory faucet

CIFIAL



COMPLETE **BATH** SOLUTIONS

CIFIAL – Torneiras, S.A.

Apartado 413
4524-907 Riomeão
PORTUGAL
40° 57' 29.20" N
8° 35' 11.40" W
Tel: +351 256 780 100
Fax: +351 256 783 395
comercial.torneiras@cifial.pt
www.cifial.pt

CIFIALdecor, S.A.

Avda. del Petróleo, 44
(Pol. Ind. San José de
Valderas)
28918 Leganes, Madrid
ESPAÑA
Tel: +34 916 110 261
Fax: +34 916 103 694
cifial@cifial.es

CIFIAL UK, Ltd.

7 Faraday Court, Park Farm
Industrial Estate, Wellingbor-
ough, Northants NN8 6XY
UK
Phone: +441 933 402 008
Fax: +441 933 402 063
sales@cifial.co.uk
www.cifial.co.uk

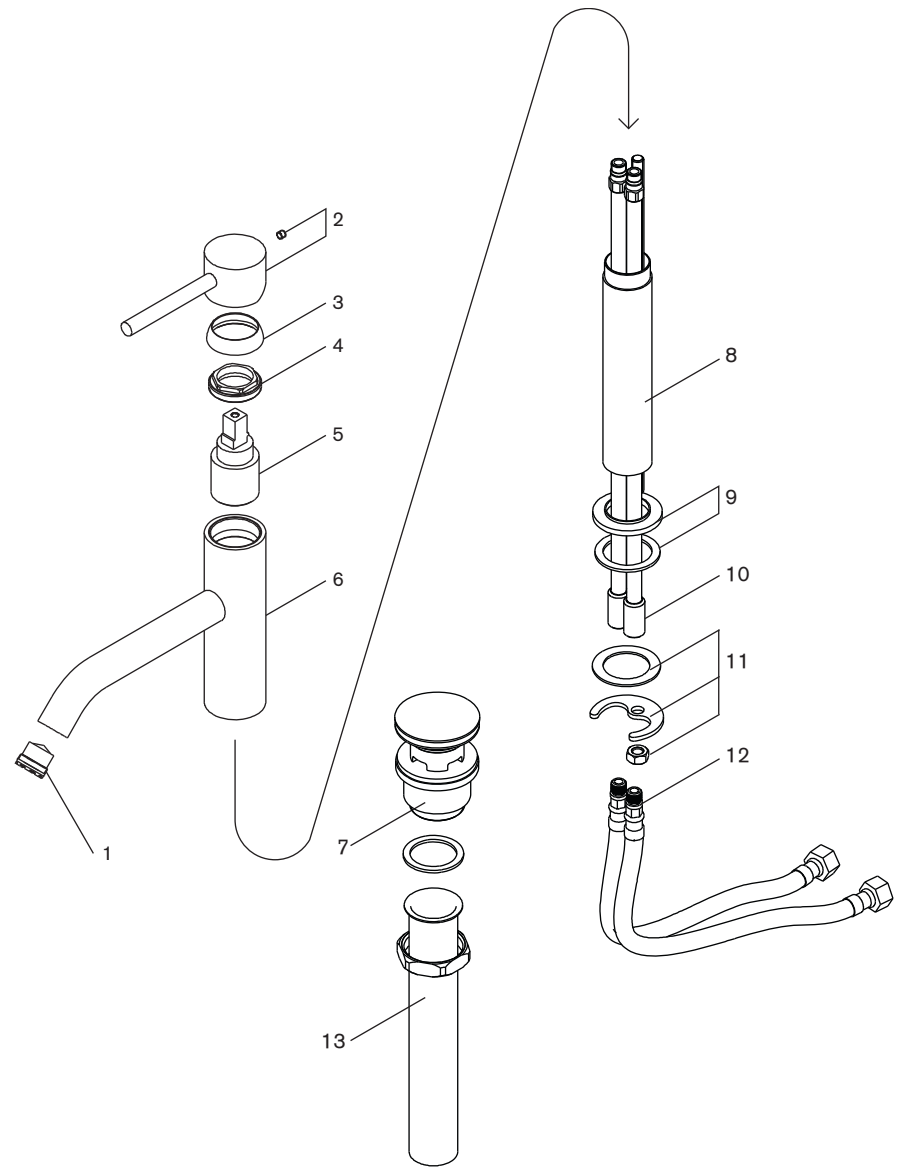
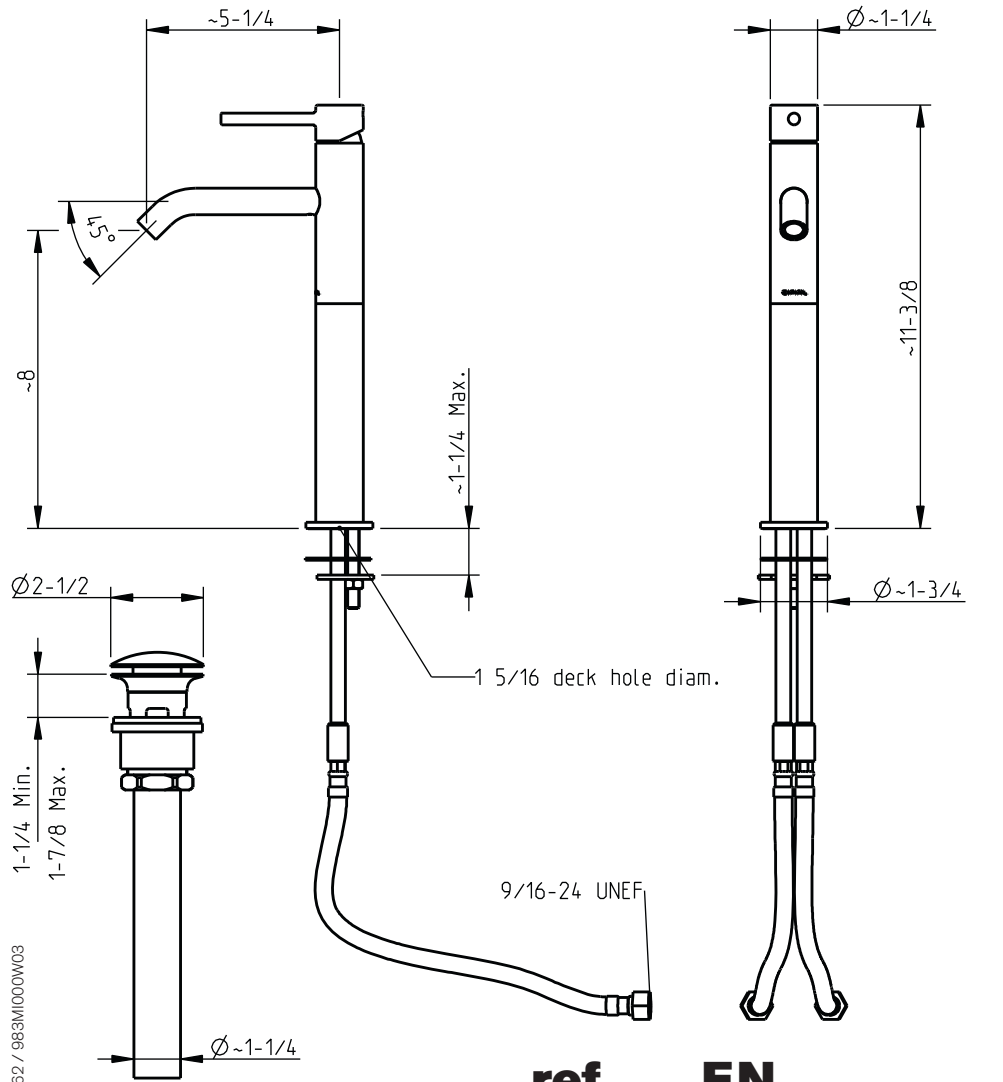
CIFIAL USA

6540 Peachtree Industrial Blvd.
Suite A
Norcross, GA 30071
USA
Tel: +1 800 528 4904
Fax: +1 800 528 1969
www.cifialusa.com

CIFIAL Polska sp. z o.o.

ul. Macieja Rataja 12
05-070 Sulejówek
Warsaw
POLAND
Tel: +48 22 7831699
Fax: +48 22 783 15 09
cifial@cifial.pl
www.cifial.pl

5663962 / 983M000W03



ref. EN

1	5713010	aerator
2	3490110-xxx	lever handle assembly
3	3400246-xxx	domed collar
4	5712154	cartridge nut
5	5711474	ceramic cartridge
6	3490113-xxx	spout assembly
7	(*1)	slotted clic-clac waste assembly
8	3400245-xxx	tap body extension
9	3490112-xxx	eschutcheon assembly
10	5700120	flexible hose (x2)
11	5710241	fixing set
12	5700120	flexible hose (x2)
13	(*)	slotted clic-clac waste assembly tube

5669962 / 983M1000W03

(*1) 5710018 (625) / 3620030-xxx (other finishes)

(*1) 5710820 (625) / 3620275-xxx (other finishes)

dimensions inches

note: xxx stands for different finishes