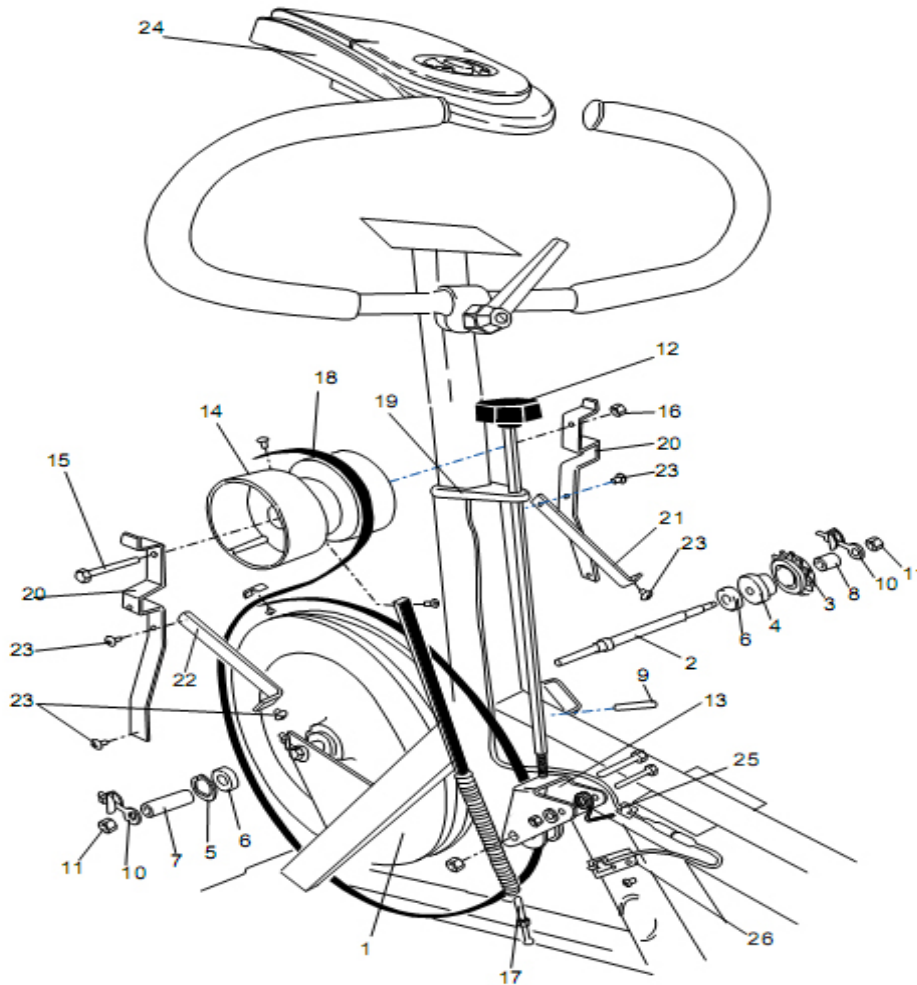


From serial number: WBK 278240

Pos.	Qty.	Art. No.	Description	Pos.	Qty.	Art. No.	Description
1	1	9300-5	Support tube, front	19	1	9300-113	Saddle post
2	1	9300-6	Support tube, rear	20	2	9300-115	Bushing for saddle post (on 915 also for handlebar stem)
3	4	9300-7	Plastic cap, blue	21	1	9300-133	Locking screw, complete
4	2	9000-29	Transport wheel, complete		1	9300-122	-Locking knob
5	6	5844	Lock nut M8		1	9300-134	-Pressure washer, complete
8	2	9300-12	Screw MVBF, M8 x 16 mm	22	1	9326-565	Handlebar, complete
9	1	9326-55	Chain 1/2" x 1/8", 98 links	23	1	9326-107	-Lever, complete
	1	1109	-Chain lock	24	1	5864	-Washer M8
10	1	9326-250	Chain Guard	25	1	9326-67	Locking screw
11	1	9326-251	Side guard	26	1	9300-134	Pressure washer, complete
12	1	9326-52	Cover for watt meter	27	1	9300-401	Crank, complete
13	4	5673-9	Mounting screw LKT-TT, 5 x 12 mm, stainless	28	1	9326-164	Magnet
14	3	5675-9	Mounting screw LKT-TT, 5 x 6,5 mm, stainless	29	1	8966-175	BB cartridge bearing, complete
15	1	9300-53	Holder for guard	30	2	8523-115	Screw M6S 8.8 M8 x 1 x 20 fzb
16	1	9300-215	Pedal 9/16", pair		2	8523-2	Dust cover
16	1	9300-207	Pedal strap, pair		1	9326-1	Frame
17	1	4992-5	Saddle				
18	1	9300-114	-Saddle bracket				



From serial number: WBK 278240

Pos.	Qty.	Art. No.	Description	Pos.	Qty.	Art. No.	Description
1	1	9326-30	Flywheel, complete 18 kgs	17	1	9326-58	Calibration screw, complete
2	1	9300-18	-Axle	18	1	9326-56	Brake belt, complete
3	1	9106-13	-Sprocket 14 t, M30 x 1 g	19	1	9326-85	Support for tension screw
4	1	9106-14	-Connection for same	20	2	9326-81	Holder
5	1	9000-15	-Locking ring SgH 028	21	1	9329-82	Stay, right
6	2	19001-6	-Bearing 6001-2z	22	1	9326-83	Stay, left
7	1	9300-17	-Spacer 23 mm	23	10	5675-9	Mounting screw M5x6.5 mm
8	1	9000-17	-Spacer 5 mm	24	1	9327-264	Electronic meter
9	1	9010-38	-Tension pin 5 x 18 mm		1	9326-262	-Cable
10	1	9000-12	-Chain adjuster		1	2151	-Battery 1,5 V, LR6, AA
11	2	5799	-Axle nut		2	9326-59	Screw RXS B8 x 9.5 mm
12	1	9326-86	Tension screw complete		1	9326-166	Holder for sensor
13	1	9326-57	Tension lever, complete	25	2	9300-66	Bracket for cable
14	1	9326-84	Watt scale, complete	26	2	9326-162	Crank sensor with cable
15	1	14367	Screw M8 x 90 mm		1	9339-98	Chestbelt with pulse transmitter (accessory)
16	1	5844	Nut M8				