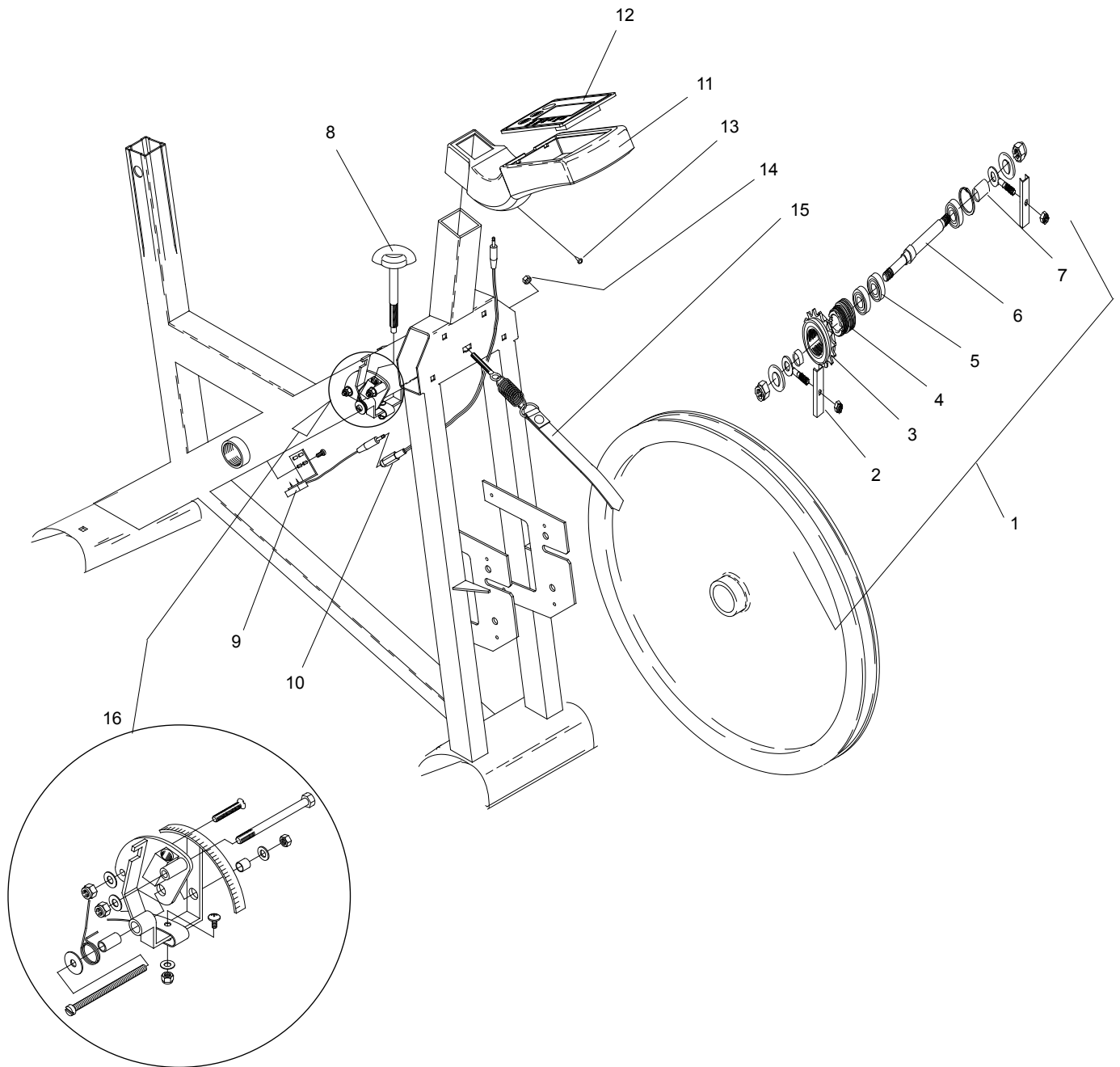


From serial No: WBK 265820C

Pos.	Qty.	Art. No.	Description	Pos.	Qty.	Art. No.	Description
1	1	9301-15	Support tube, front	17	1	9300-133	Locking screw
2	1	9301-16	Support tube, rear	18	1	9300-134	Pressure washer
3	4	9328-51	Plastic cap, blue	19	1	4994-5	Saddle
4	4	9328-26	Rubber foot		1	9300-114	-Saddle bracket
5	1	9328-37	Transport wheel compl. (pair)	20	1	9300-115	Bushing for saddle post
6	4	5845	Locking nut M8	21	1	9300-123	Top cover
7	2	9300-12	Screw MVBF M8x16 mm	22	1	9300-280	Handlebar, complete
8	1	9300-55	Chain 1/2" x 1/8", 116 l	23	1	9100-180	-Lever M10
9	1	9326-164	Magnet	24	1	9126-72	-Handgrip (pair)
10	2	8523-2	Dust cover	25	1	9300-291	Expander wedge
11	2	8523-115	Screw M6S 8.8 M8 x 20 FZB	26	1	9300-81	Frame cover, left
12	1	9300-430	Steel crank set, complete	27	1	9300-80	Frame cover, right
13	1	9300-220	Pedal, (pair)	28	4	5673-9	Mounting screw LKT-TT 5x12mm
14	1	9300-207	Pedal strap, (pair)	29	10	9306-12	Plastic plug
15	1	8966-175	BB cartridge bearing, complete	30	1	9301-5	Frame
16	1	9300-138	Saddle post				



From serial No: WBK 265820C

Pos.	Qty.	Art. No.	Description	Pos.	Qty.	Art. No.	Description
1	1	9300-24	Wheel suspension, complete set	11	1	9300-82	Instrument cover
2	1	9000-12	-Chain adjuster (pair)	12	1	9300-180	Digital meter
3	1	9106-13	-Sprocket		2	2151	Battery
4	1	9106-14	-Connection	13	1	9103-40	Screw RXS B4 x 9.5 FZB
5	3	91001-6	-Bearing 6001-2z	14	1	5770	Nut
6	1	9300-18	-Axle	15	1	9306-36	Brake belt, complete
7	1	9300-17	-Bush, 23 mm	16	1	9300-126	Tension device, complete
8	1	9300-125	Tension screw, complete		1	9339-98	Chestbelt (accessory)
9	1	9326-162	Crank sensor with cable		1	9106-550	Decal set
10	1	9326-263	Cable 550 mm				