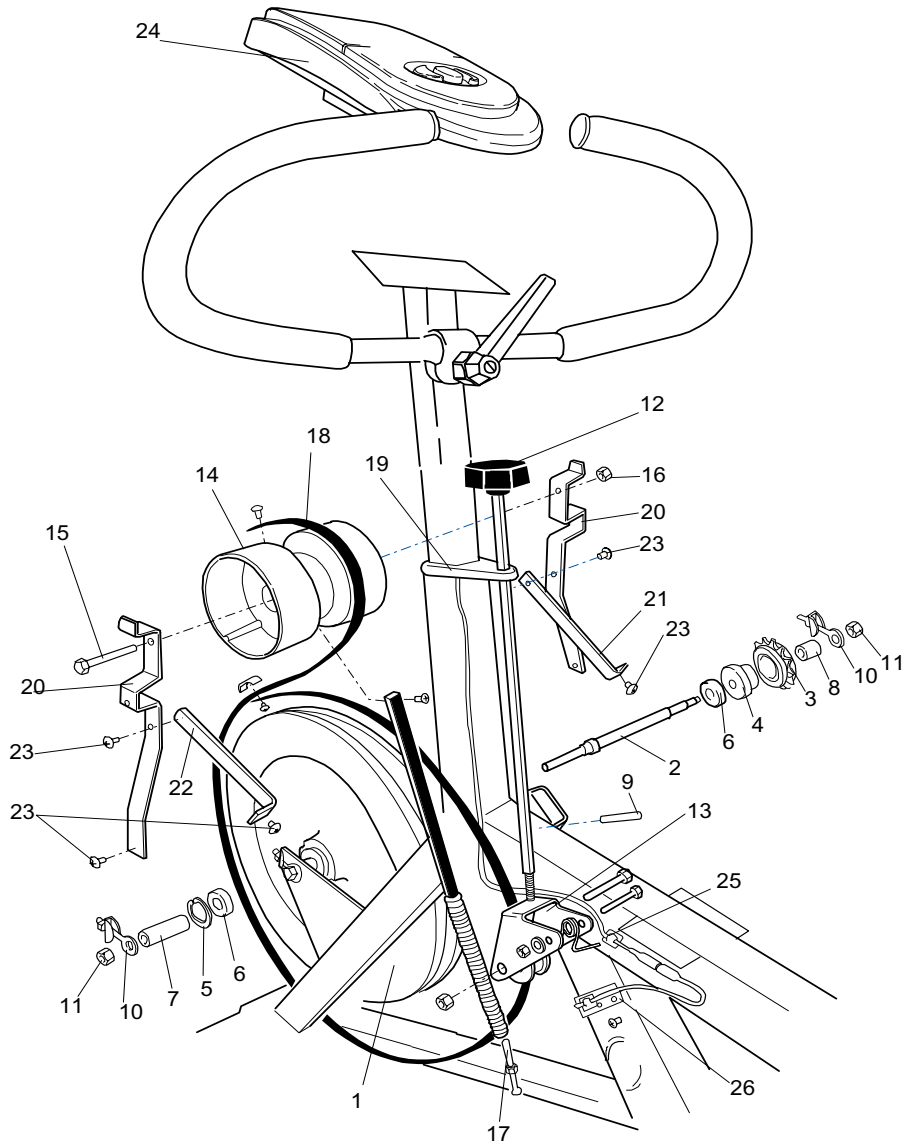


Article no.	Qty.	Pict.no.	Description	Article no.	Qty	Pict.no.	Description
9300-5	1	1	Support tube,front	9300-113	1	19	Saddle post
9300-6	1	2	Support tube, rear	9300-115	2	20	Bush for same
9300-7	4	3	Plastic cap, blue	9300-118	1	21	Locking screw
9000-29	2	4	Transport wheel.complete	9300-134	2	22	Pressure washer, complete
5844	6	5	Lock nut M8	9326-565	1	23	Handlebar complete
9300-12	2	8	Screw MVBF, M8 x 16 mm	1069-5	2	24	.Plug for handlebar
9326-55	1	9	Chain 1/2 x 1/8", 98 link	9326-107	1	25	.Lever, complete
1109	1		.Chain lock	9326-67	1	26	Locking screw
9326-250	1	10	Chain guard	9300-401	1	27	Crank complete
9326-251	1	11	Side guard	9326-164	1		Magnet
9326-52	1	12	Cover for watt meter	8966-175	1	28	BB cartridge bearing complete
5673-9	4	13	Mounting screw LKT-TT, 5 x 12 mm, stainless	8523-115	2	29	Screw M6S 8.8 M8 x 1 x 20 fzb
5675-9	3	14	Same, LKT-TT, 5 x 6,5 mm, stainless	8523-2	2	30	Dust cover
9300-53	1	15	Holder for guard	9326-1	1	31	Frame
9300-215	1	16	Pedal 9/16", pair				From serial no. WBK 231928T
9300-207	1		Pedal strap, pair				
4992-5	1	17	Saddle				
9300-114	1	18	.Saddle bracket				



Article no.	Qty.	Pict.no.	Description	Article no.	Qty.	Pict.no.	Description
9326-30	1	1	Flywheel complete, 18 kgs	9326-58	1	17	Calibration screw, complete with work load spring
9300-18	1	2	. Axle	9326-56	1	18	Brake belt, complete
9106-13	1	3	. Sprocket 14 t, M30 x 1 g	9326-85	1	19	Support for tension screw
9106-14	1	4	. Connection for same	9326-81	2	20	Holder
9000-15	1	5	. Locking ring SgH 028	9326-82	1	21	Stay, right
19001-6	2	6	. Ball bearing 6001-2Z	9326-83	1	22	Stay, left
9300-17	1	7	. Spacer 23 mm	5675-9	9	23	Mounting screw M5 x 6,5 mm
9000-17	1	8	. Spacer 5 mm	9327-264	1	24	Electronic meter
9010-38	1	9	. Tension pin 5 x 18 mm	9326-262	1		Cable 850 mm
9000-12	1	10	. Chain adjuster	2172	1		. Battery 1,5 V, 12 x 50 mm, R6
5799	2	11	. Axle nut	9326-59	2		Screw RXS B8 x 9,5 mm
9326-86	1	12	Tension screw complete	9326-166	1		Holder for sensor
9326-57	1	13	Tension lever, complete	9300-66	2	25	Bracket for cable
9326-84	1	14	Watt scale complete	9326-162	1	26	Crank sensor with cable
14367	1	15	Screw M8 x 90 mm,	9339-98	1		Chest belt with pulse transmitter (accessories)
5844	1	16	Nut M8				