

# BARCELONA



Bulbs: 60W CAND.

FR44109FRM

## ASSEMBLY INSTRUCTIONS

Assembly of this fixture will be accomplished by first assembling the main fixture body, installing mounting hardware to junction box, mounting main body to ceiling and then attaching crystal pendalogues.

**SAFETY WARNING:** Read wiring and grounding instructions [FRIS 18] and any additional directions. Turn power supply off during installation. If new wiring is required, consult a qualified electrician or local authorities for code requirements.

### STEP 1

- 1 Spread uprights (1) apart until they are equally spaced 120 degrees apart - See Drawing 1.
- 2 Attach top of uprights (1) by threading knurled head screw (2) into top of upright through the ceiling pan (3).

### STEP 2

- 1 Prepare mounting bar (a) by threading two long machine screws (b) through the threaded holes indicated in drawing 2.  
Note: green ground screw indicates the front of the mounting plate. Screws should be threaded in from the back.
- 2 Install mounting bar (a) to junction box using two 1", 8-32 machine screws. Making sure screws installed previously are facing outward.
- 3 Slip machine screws (b) through the slots in crossbar (c).
- 4 Using the hex nuts (e) and lockwasher (f) attach the crossbar (c) to the mounting bar.
- 5 Make electrical connections from supply wire to fixture lead wires. Refer to instruction sheet [FRIS18] and follow all instructions to make all necessary wiring connections. Then refer back to this sheet to continue installation of this fixture.
- 6 Slip holes in canopy (g) over the threaded tube (d) and hold in position.
- 7 Thread ball knobs (h) onto threaded tube (d) to secure fixture to ceiling.

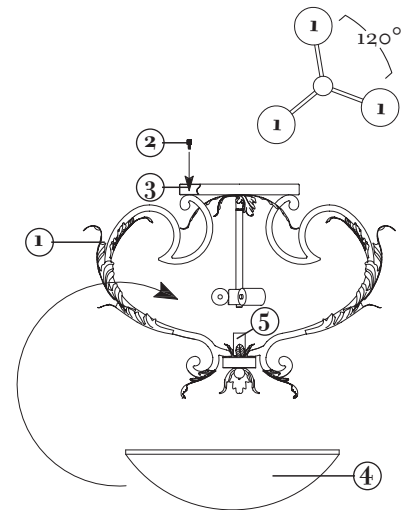
### STEP 3

· The large natural alabaster bowls used on the Barcelona series can be scratched during installation if care is not taken. To prevent scratching of the alabaster, we suggest the following procedure.

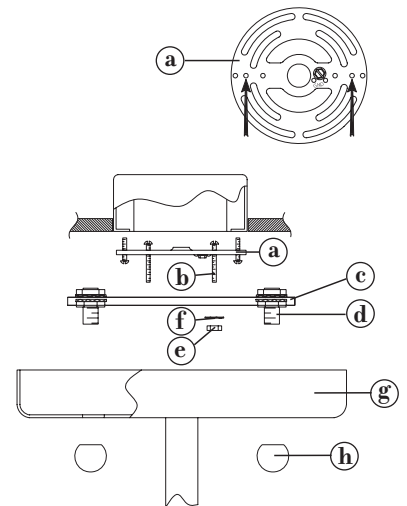
- 1 Prior to inserting large bowl (4), take small hand towels and lay them over each of the arms - See Drawing 3.
- 2 Tilt alabaster bowl (4) up and slip lip of glass under uprights (1) - See Drawing 1.  
Note: Make sure center hole slips over the center pipe (5).
- 3 Fixture can now be lamped accordingly.

**STEP 4** Refer to Crystall Installation Sheet provided to install crystals.

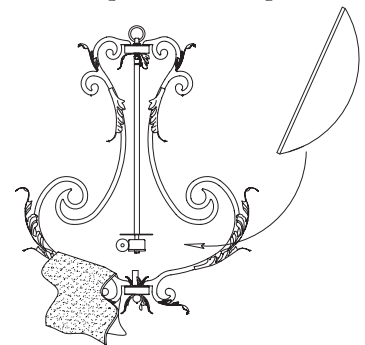
[DRAWING 1]



[DRAWING 2]



[DRAWING 3]



FREDRICK RAMOND  
ESTABLISHED 1965

800.421.3517 WWW.FREDRICKRAMOND.COM  
9.24.08

# BARCELONA

FR44109FRM



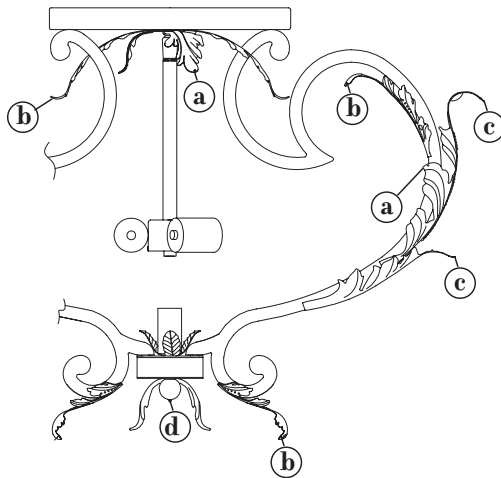
Bulbs: 75W MED. Replacement Parts: CRYSTALS: R44110CRY-A, R44110CRY-B, R44110CRY-C, R44104CRY-C

## CRYSTAL INSTALLATION INSTRUCTIONS

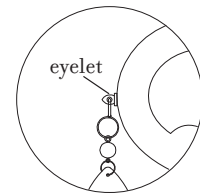
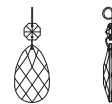
This Barcelona chandelier use 4 sizes of crystals pendalogsues.

### STEP 1

- 1 Starting at the top of the fixture and working your way down, attach small pear shaped crystal (1) to eyelet (a).
- 2 Attach medium size pear shape crystal (2) to eyelet (b).
- 3 Attach large pear shaped crystal (3) to eyelet (c).
- 4 Attach large crystal ball (4) to eyelet (d).
- 5 Repeat steps 1-4 for remaining arms.



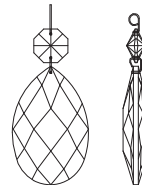
crystal 1  
R44110CRY-A



crystal 2  
R44110CRY-B



crystal 3  
R44110CRY-C



crystal 4  
R44104CRY-C



FREDRICK RAMOND  
ESTABLISHED 1965

800.421.3517 WWW.FREDRICKRAMOND.COM

9.24.08