

# PROSECCO



Bulbs: 60W MED.

Replacement Parts: SHADE: R49432SH CRYSTALS: R49430CRY-A2, R49430CRY-B1  
DIFFUSER: R49432DF

FR49432RCO

## ASSEMBLY INSTRUCTIONS

Assembly of this fixture will be accomplished by first attaching the fixture shade, installing mounting hardware to junction box, mounting main body to ceiling and then installing the fixture diffuser and crystals.

**SAFETY WARNING:** Read wiring and grounding instructions [FRIS 18] and any additional directions. Turn power supply off during installation. If new wiring is required, consult a qualified electrician or local authorities for code requirements.

### STEP 1

- 1 Attach shade (1) to crossbar (2), of the main body (3), using ball knob studs (4) - See Drawing 2.

### STEP 2

- 1 Prepare gem strap (a) for mounting by threading two screws (c) provided into back of gull wing bracket of gem strap (a) - See Drawing 1.
  - Be sure the holes into which the screws are threaded match the spacing of holes (d) in the ceiling pan (e) - See Drawings 1 and 2.
- 2 Mount gem strap (a) to junction box (j), using the two 1" screws (b) provided.

### STEP 3

- 1 Make electrical connections from supply wire to fixture lead wires. Refer to instruction sheet [FRIS18] and follow all instructions to make all necessary wiring connections. Then refer back to this sheet to continue installation of this fixture.
- 2 Hang the fixture by slipping the holes in the ceiling pan (e) over the screws (c) in the mounting strap (a) - See Drawing 2.
- 3 Thread ball knobs (d) onto screws (c) and tighten to secure.

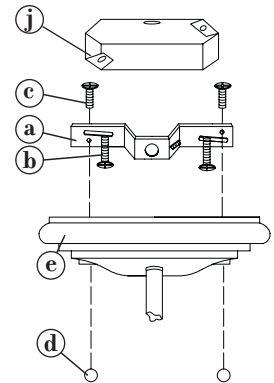
### STEP 4

- 1 Fixture can now be lamped accordingly.
- 2 To attach diffuser, thread tubing (5) into coupler (6) approximately 3/8" - See Drawing 2.
- 3 Thread nut (7) onto tubing (5) and tighten it up against coupler (6) to lock tubing (5) in place.
- 4 Slip tubing (8) over tubing (5), followed by cap (9) and hold in position.
- 5 Slip rubber washer (11) and glass diffuser (12) onto tubing (5) and hold in position.
- 6 Slip flat washer (14) onto tubing (5) and hold in position.
- 7 Thread hex nut (15) onto tubing (5) and tighten up against flat washer (14) to secure glass.
- 8 Slip cap (16) onto tubing (5) and thread decorative knob (17) onto tubing and tighten.

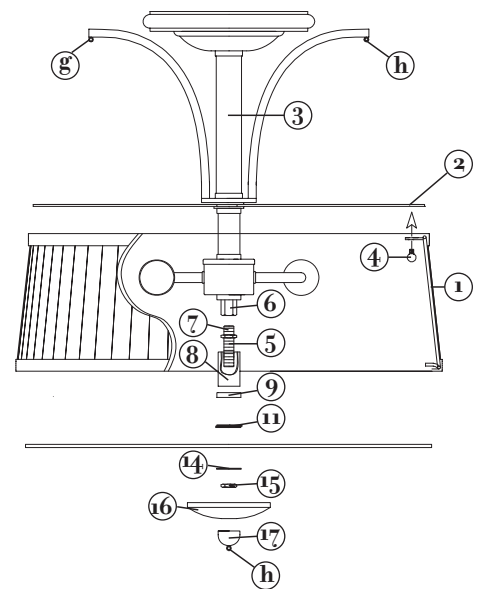
**STEP 5** This Prosecco semi-flush uses 2 sizes of crystal pendants.

- 1 Working from the top of the fixture down, attach small crystal pendants (1) to eyelets (g) - See Drawing 2.
- 2 Attach large crystal pendant (2) to eyelets (h). Note: crystals (1) and (2) alternate on the top of the fixture.

[DRAWING 1]

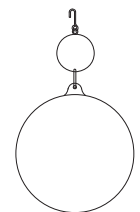


[DRAWING 2]



crystal 1  
R49430CRY-A1

crystal 2  
R49430CRY-B1



FREDRICK RAMOND  
ESTABLISHED 1965

800.421.3517 WWW.FREDRICKRAMOND.COM  
2.19.09