

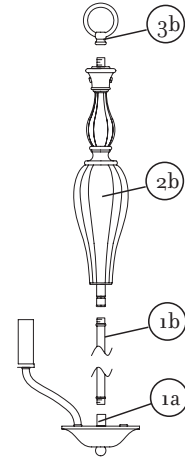


CARABEL

FR44624BCH

Bulbs: 60W CAND.

[DRAWING 1]



ASSEMBLY INSTRUCTIONS

Assembly of this fixture will be accomplished by first assembling the main body, installing the mounting hardware to the junction box, making all necessary electrical connections and then hanging the fixture.

SAFETY WARNING: Read wiring and grounding instructions [FRIS 18] and any additional directions. Turn power supply off during installation. If new wiring is required, consult a qualified electrician or local authorities for code requirements.

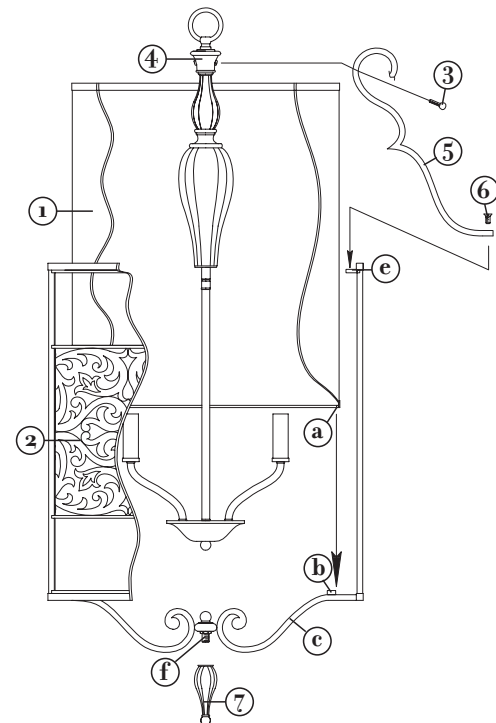
STEP 1

- 1 Slip center stem (1b) along wire and thread into coupler (a1).
- 2 Slip decorative upper column (2b) along wire and thread onto end of center stem (1b).
- 3 Slip loop (3b) along wire and thread onto top of decorative upper column (2b). Center column is complete please proceed to **Step 2**.

STEP 2

- 1 Slip shade (1) into cage assembly (2). Making sure the inside of the shade (a) are located by the four tabs (b) on the lower cage arms (c) - See Drawing 1.
- 2 Remove ball knobs with studs (3) from top of center column (4).
- 3 Attached top of the scroll arms (5) to the center column assembly (4), using ball knob and studs (3).
- 4 Remove screw (6) from tabs (e) located at the top of cage assembly (2).
- 5 Slip center column (4) with attached scrolls (5) into cage assembly (2), aligning the holes (d) in the end of the scrolls, with the holes (e) located on tabs in the cage assembly (2).
- 6 Slip screws (6) through the hole (d) in the end of scroll (5) and thread into tab (e), repeat for remaining scrolls, center column (4) is now secured to the cage (2).
- 7 Thread bottom finial (7) onto threaded stem (f) located at the bottom of the fixture.
- 8 fixture can now be lamped accordingly.

[DRAWING 2]



STEP 2 Refer to Hanging Instruction Sheet [FRIS19] to hang fixture.



FREDRICK RAMOND
ESTABLISHED 1965

800.421.3517 WWW.FREDRICKRAMOND.COM

12.1.09