

BROADWAY

FR41439PaL

Bulbs: 60W G-9.

Replacement Parts: GLASS: R41430GL

ASSEMBLY INSTRUCTIONS

Assembly of this fixture will be accomplished by first determining the length of stem required, attaching the mounting strap to the junction box, making all necessary electrical connections, hanging the fixture from the ceiling and then installing the lamps.

SAFETY WARNING: Read wiring and grounding instructions [FRIS 18] and any additional directions. Turn power supply off during installation. If new wiring is required, consult a qualified electrician or local authorities for code requirements.

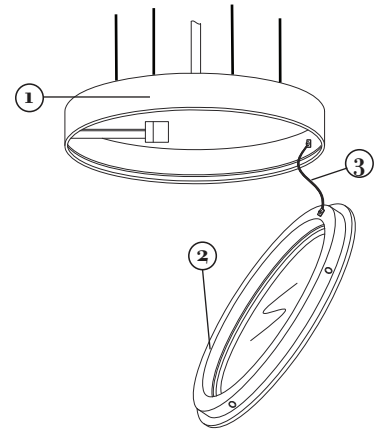
STEP 1

- 1 Follow mounting instruction sheet FRIS19-30 provided with fixture. After installation return to this section of the instructions on lamping the fixture.

STEP 2

- 1 To lamp center hub of fixture, remove glass retainer ring (2) from bottom of the main body (1). NOTE: the glass retainer ring is held in position by spring tension and can be easily removed by pulling firmly on the edge at the split line. Retainer ring is attached to the fixture by a wire cable (3) and will not fall when released - See Drawing 1.

[DRAWING 1]



FREDRICK RAMOND
ESTABLISHED 1965

A Division of Hinkley Lighting, Inc.
33000 PIN OAK PARKWAY | AVON LAKE, OHIO 44012
toll free 800.446.5539 | phone 440.653.5500

FRIS19-30

CABLE HANGING INSTRUCTIONS

SAFETY WARNING: Read wiring and grounding instructions [FRIS 18] and any additional directions. Turn power supply off during installation. If new wiring is required, consult a qualified electrician or local authorities for code requirements.

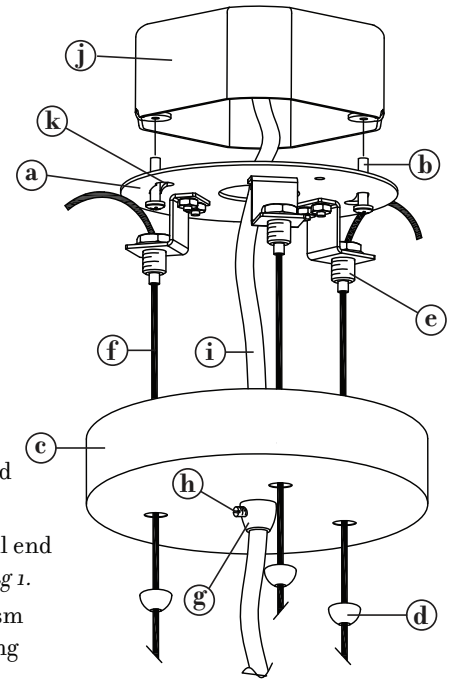
[DRAWING 1]

STEP 1

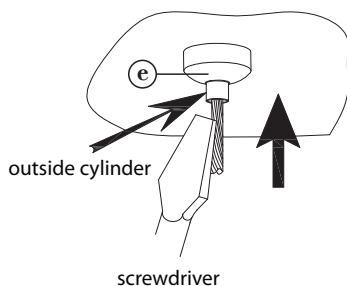
- 1 Shut off electrical current before starting. If the fixture you are replacing is turned on and off by a wall switch, simply turn the switch off. If not, remove the appropriate fuse (or open the circuit breakers) until the fixture is dead.
 - DO NOT restore current - either by fuse, breaker or switch - until the new fixture is completely wired and in place.

STEP 2

- 1 It will be necessary to determine the length of cable (f) that you will require to hang the fixture at the proper height. To get an approximate length of cable required, measure the distance between the floor and the ceiling and subtract the distance the fixture will be above the floor. The remainder is the approximate length of cable required.
- 2 To aid in hanging, the cables (f) can be measured from the top of the fixture and marked with a piece of tape at the approximate length required.
- 3 To prepare cables for installation, first slide one cover cap (d) onto each cable (f), small end first. Then feed one cable through the appropriate holes in the canopy (c) - see Drawing 1.
- 4 Take mounting assembly (a) and feed one cable (f) through the cable locking mechanism (e) and pull cable through and up to the previously measured point. NOTE: cable locking mechanism will lock cable in place when pulled down. To release cable for adjustment read instructions under Drawing (2).
- 5 Fixture can now be hung. This is accomplished by first threading 2 screws (b) into appropriate holes in junction box. Do not tighten at this time.
- 6 Get assistance during this operation. Lift mounting plate (a) with fixture attached, up to junction box (j) slip heads of previously installed screws (b) through keyhole slots (k) and twist, till screws hit end of slot. Then tighten screws (b) to secure mounting plate (a).
- 7 Take supply wire (i) and feed through wire keeper (g) on canopy and up to junction box. Allow approximately 6" of slack in the supply wire (i) so it will hang in a lazy "S" fashion. Make all necessary electrical connections by following instruction sheet FRIS-18 supplied.
- 8 Final cable adjustments can be made at this time, to level fixture and adjust height.
- 9 Slip canopy (c) up along cables (f) and supply wire (i), over mounting assembly (a), and up to ceiling. Slip cover caps (d) align cables and thread onto cable locking mechanism (e) to secure canopy to mounting assembly.
- 10 To secure supply wire location tighten screw (h). NOTE: do not over tighten and damage wire.



[DRAWING 2]



Note: If during the adjustment process too much cable is pulled up, the spring loaded locking mechanism can be released by taking a screw driver and pushing up on the center cylinder of the locking mechanism. This will release the spring pressure and allow the cable to be pulled back out (use caution to prevent the cable from being damaged).



FREDRICK RAMOND
ESTABLISHED 1965

A Division of Hinkley Lighting, Inc.
33000 PIN OAK PARKWAY | AVON LAKE, OHIO 44012
toll free 800.446.5539 | phone 440.653.5500

FRIS18

WIRING AND GROUNDING INSTRUCTIONS

SAFETY WARNING:

Read wiring and grounding instructions [FRIS 18] and any additional directions. Turn power supply off during installation. If new wiring is required, consult a qualified electrician or local authorities for code requirements.

step 1 WIRING INSTRUCTIONS

Indoor Fixtures

- 1 Connect positive supply wire (a) (typically black or the smooth, unmarked side of the two-conductor cord) to positive fixture lead (b) with appropriately sized twist on connector - See Drawings 1 or 2
- 2 Connect negative supply wire (c) (typically white or the ribbed, marked side of the two-conductor cord) to negative fixture lead (d).
- 3 Please refer to the grounding instructions below to complete all electrical connections.

Outdoor Fixtures

- 1 Connect positive supply wire (a) (typically black or the smooth unmarked side of the two-conductor cord) to positive fixture lead (b) with appropriately sized twist on connector - See Drawings 2 or 3.
- 2 Connect negative supply wire (c) (typically white or the ribbed, marked side of the two-conductor cord) to negative fixture lead (d).
- 3 Cover open end of connectors with silicone sealant to form a watertight seal.
 - If installing a wall mount fixture, use caulk to seal gaps between the fixture mounting plate (backplate) and the wall. This will help prevent water from entering the outlet box. If the wall surface is lap siding, use caulk and a fixture mounting platform specially.
- 4 Please refer to the grounding instructions below to complete all electrical connections.

step 2 grounding instructions

Flush Mount Fixtures

For positive grounding in a 3-wire electrical system, fasten the fixture ground wire (e) (typically copper or green plastic coated) to the fixture mounting strap (1) with the ground screw (2) - See Drawing 1.

Note: On straps for screw supported fixtures, first install the two mounting screws in strap.

Any remaining tapped hole may be used for the ground screw.

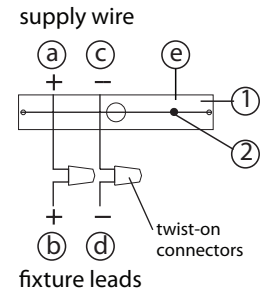
Chain Hung Fixtures

Loop fixture ground wire (e) (typically copper or green plastic coated) under the head of the ground screw (2) on fixture mounting strap (1) and connect to the loose end of the fixture ground wire directly to the ground wire of the building system with appropriately sized twist-on connector - See Drawing 2.

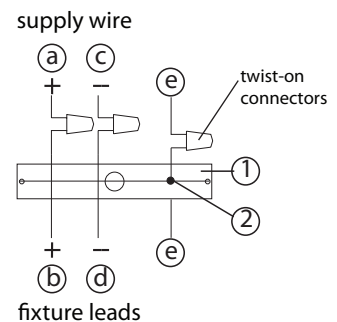
Post-Mount Fixtures

Connect fixture ground wire (e) (typically copper or green plastic coated) to power supply ground with appropriately sized twist-on connector inside post. Cover open end of connector with silicone sealant to form a watertight seal - See Drawing 3.

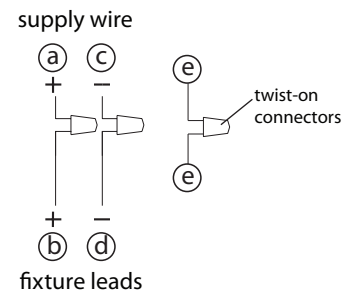
[drawing 1]



[drawing 2]



[drawing 3]



FREDRICK RAMOND

ESTABLISHED 1965

A Division of Hinkley Lighting, Inc.

33000 PIN OAK PARKWAY | AVON LAKE, OHIO 44012

toll free 800.446.5539 | phone 440.653.5500