

BROADWAY

FR41433, FR41434 FR41435PaL

Bulbs: 60W G-9.

Replacement Parts: GLASS: R41430GL

ASSEMBLY INSTRUCTIONS

Assembly of this fixture will be accomplished by first determining the length of stem required, attaching the mounting strap to the junction box, making all necessary electrical connections, hanging the fixture from the ceiling and then installing the lamps.

SAFETY WARNING: Read wiring and grounding instructions [FRIS 18] and any additional directions. Turn power supply off during installation. If new wiring is required, consult a qualified electrician or local authorities for code requirements.

STEP 1

- 1 Follow mounting instruction sheet FRIS19-30 provided with fixture. After installation return to this section of the instructions on lamping the fixture.

STEP 2

- 1 To lamp center hub of fixture, remove glass retainer ring (2) from bottom of the main body (1). NOTE: the glass retainer ring is held in position by spring tension and can be easily removed by pulling firmly on the edge at the split line. Retainer ring is attached to the fixture by a wire cable (3) and will not fall when released - See Drawing 1.

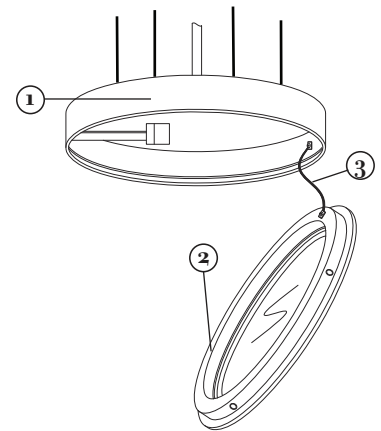
STEP 3

- 1 To lamp remaining hubs (5), remove the top protective screen (4) by lifting them off of the top main body assembly by pulling up on them with the aid of the assistance hole punch in the edge of the screen. These lids are held in position by spring tension and can be removed easily. After lamping the protective screen can be snapped back into place - see Drawing 2.
- 2 Fixture is complete.

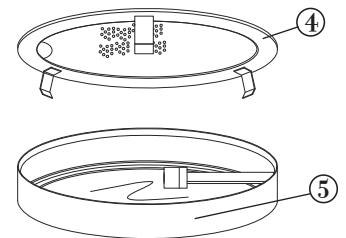
STEP 4

- 1 Glass is held by a "C" shape spring ring (r). To remove, replace, or install glass it is necessary to pinch the two short tabs (t) of the ring together, after glass is installed ring can be replaced in same manner - see Drawing 3.

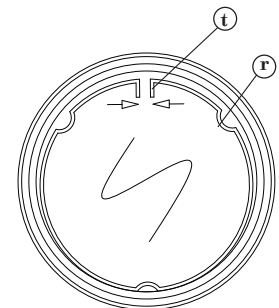
[DRAWING 1]



[DRAWING 2]



[DRAWING 3]



FREDRICK RAMOND
ESTABLISHED 1965

800.421.3517 WWW.FREDRICKRAMOND.COM

06.01.11