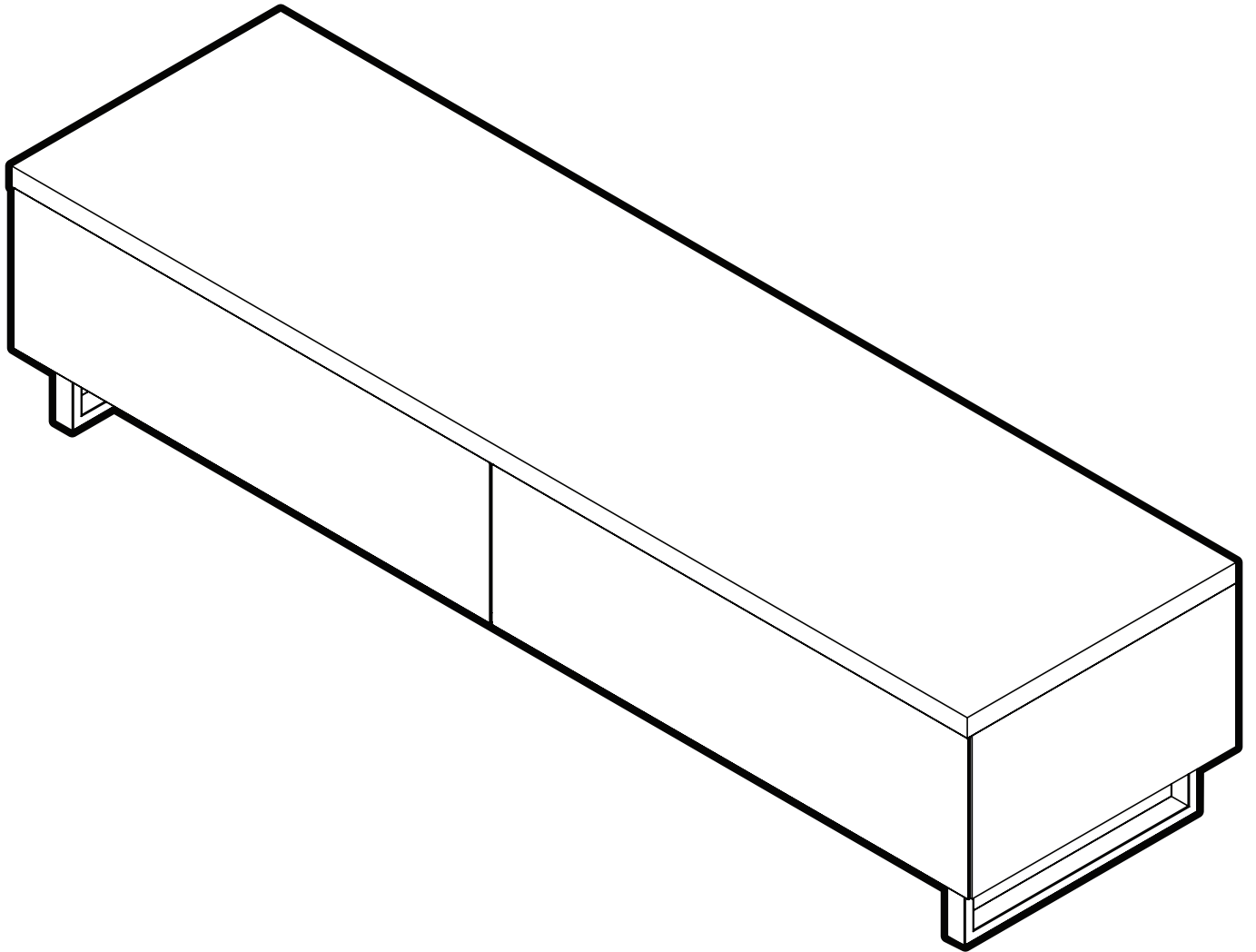




Product Name: PANORAMA  
Product Ref: PM160  
Art number: 406420/406421

TECH LINK™



 = 75mins  
 = 50mins

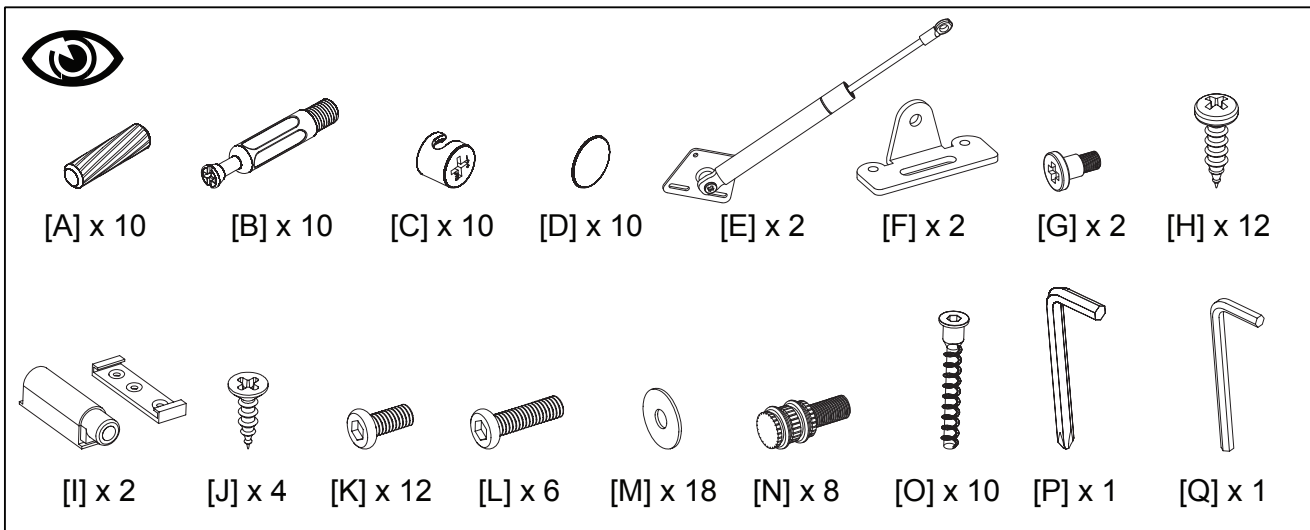
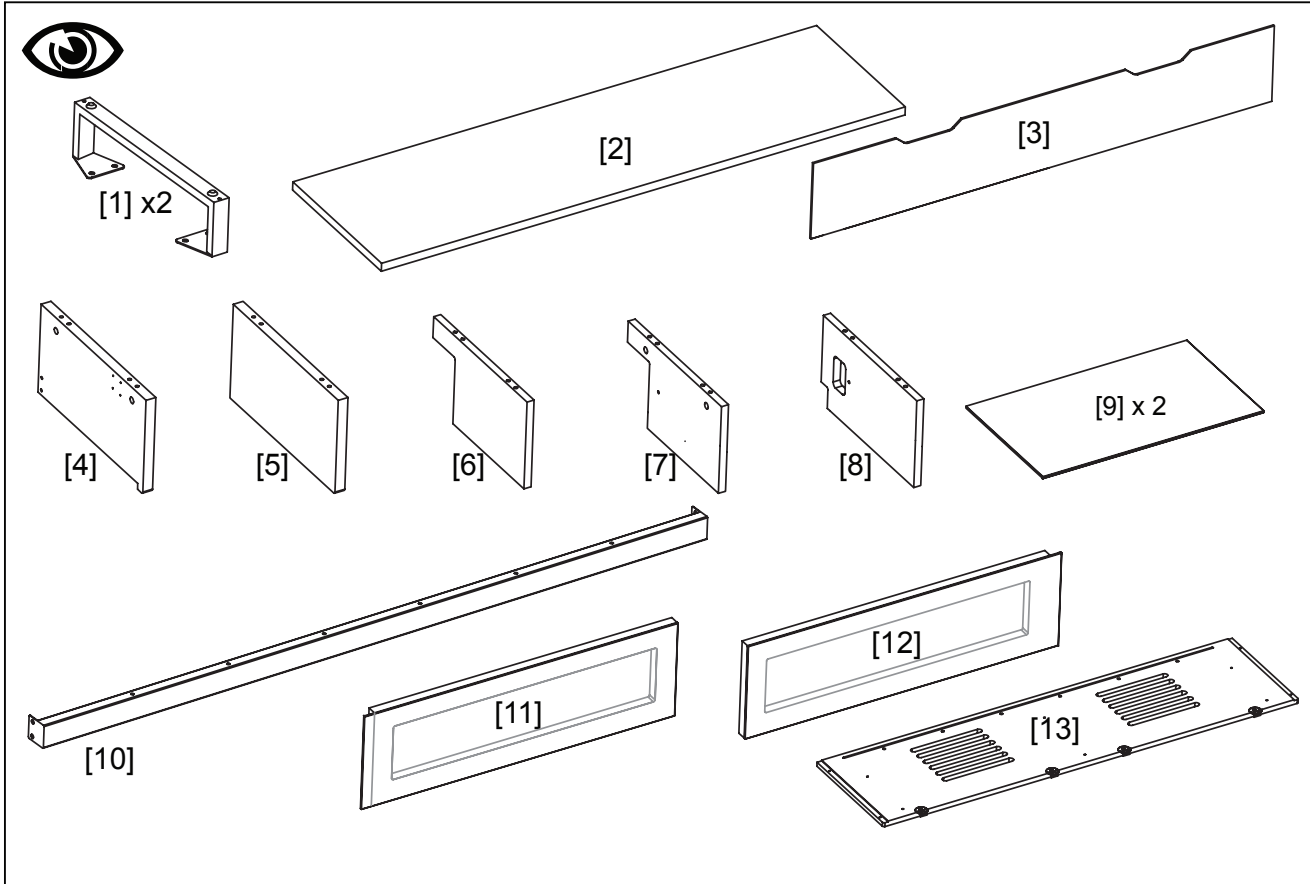
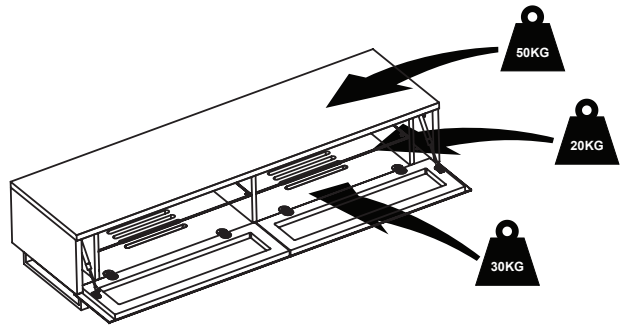
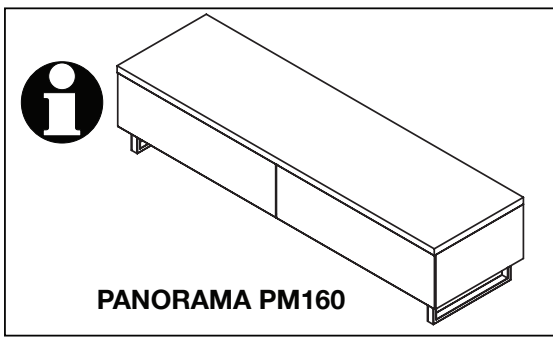
**TECHLINK**, A Division Of Tapehand Ltd.  
Units 7 and 8 Bat and Ball Enterprise Centre  
Bat and Ball Road  
Sevenoaks  
Kent  
United Kingdom  
TN14 5LJ



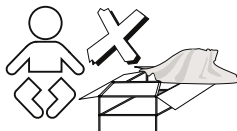
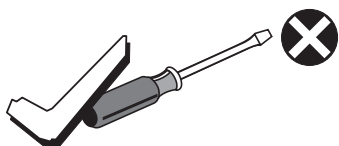
**0800 634 2699**



**spares@techlink.uk.com**



 **Take extra care not to over tighten any screws as this may cause damage!**





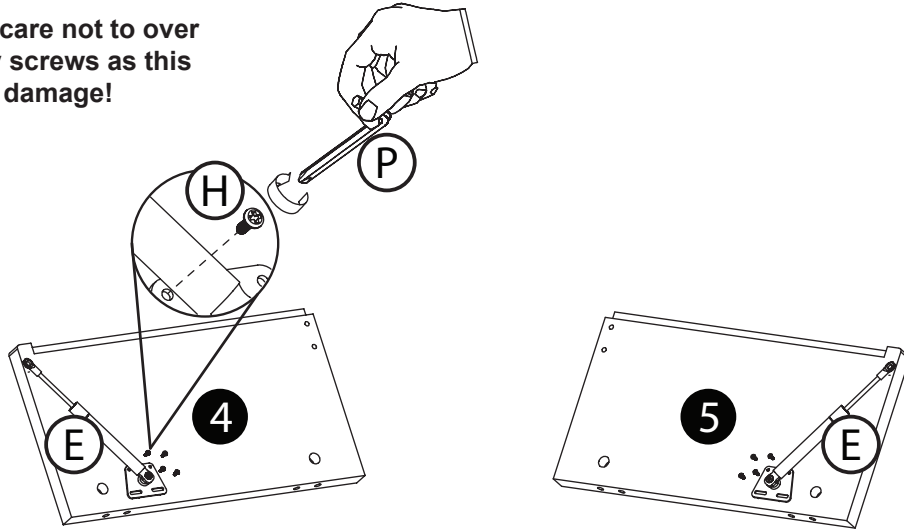
Take extra care not to over tighten any screws as this may cause damage!

1

H x8

E x2

P

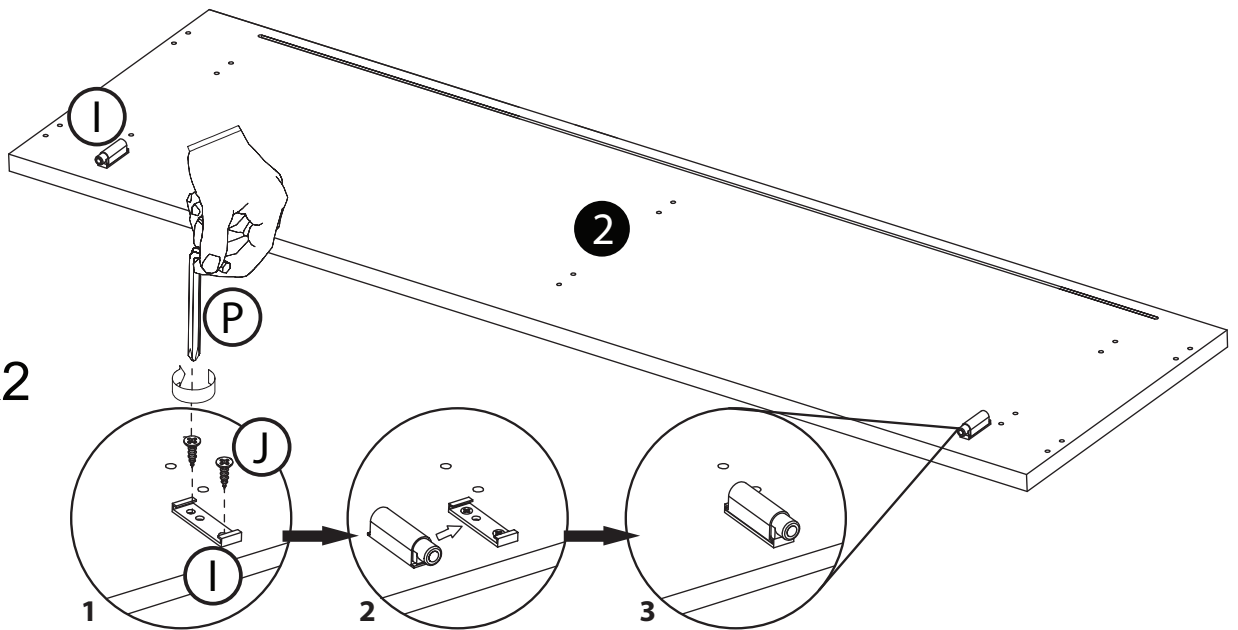


2

J x4

I x2

P



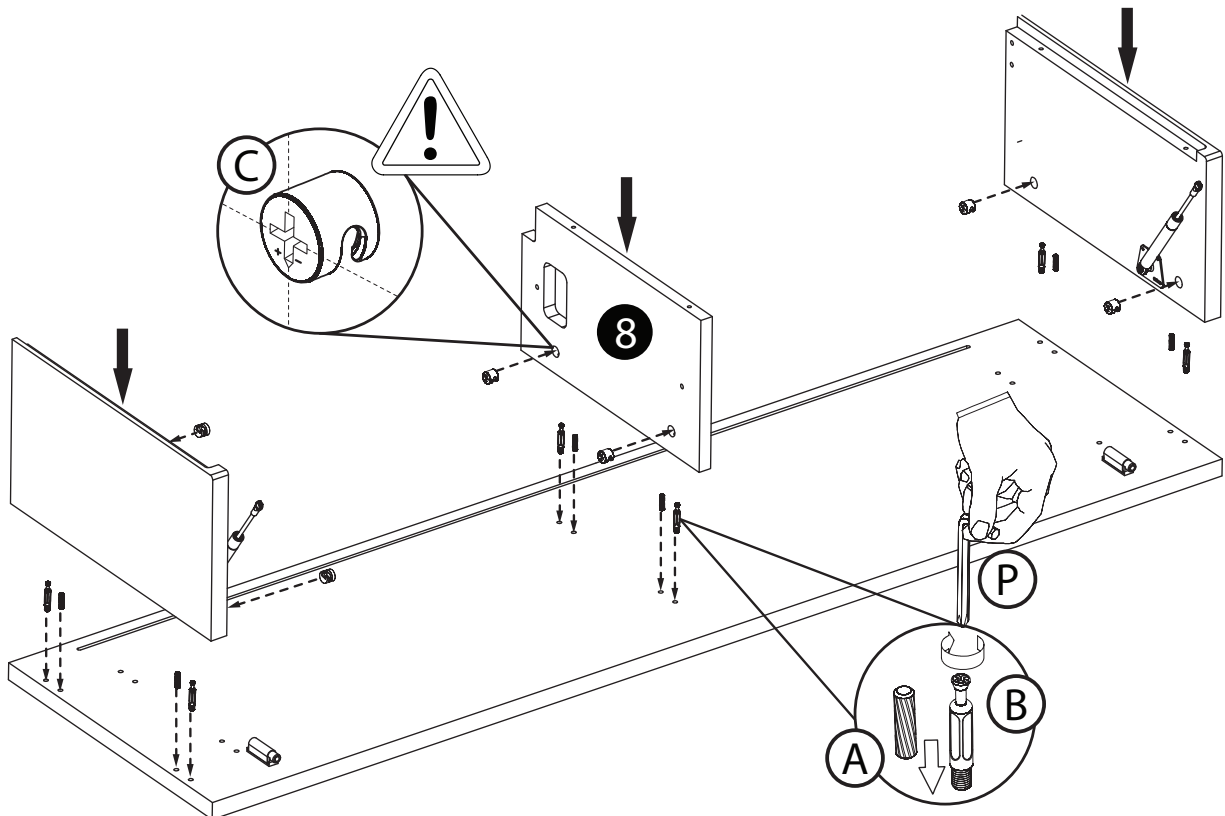
3

A x6

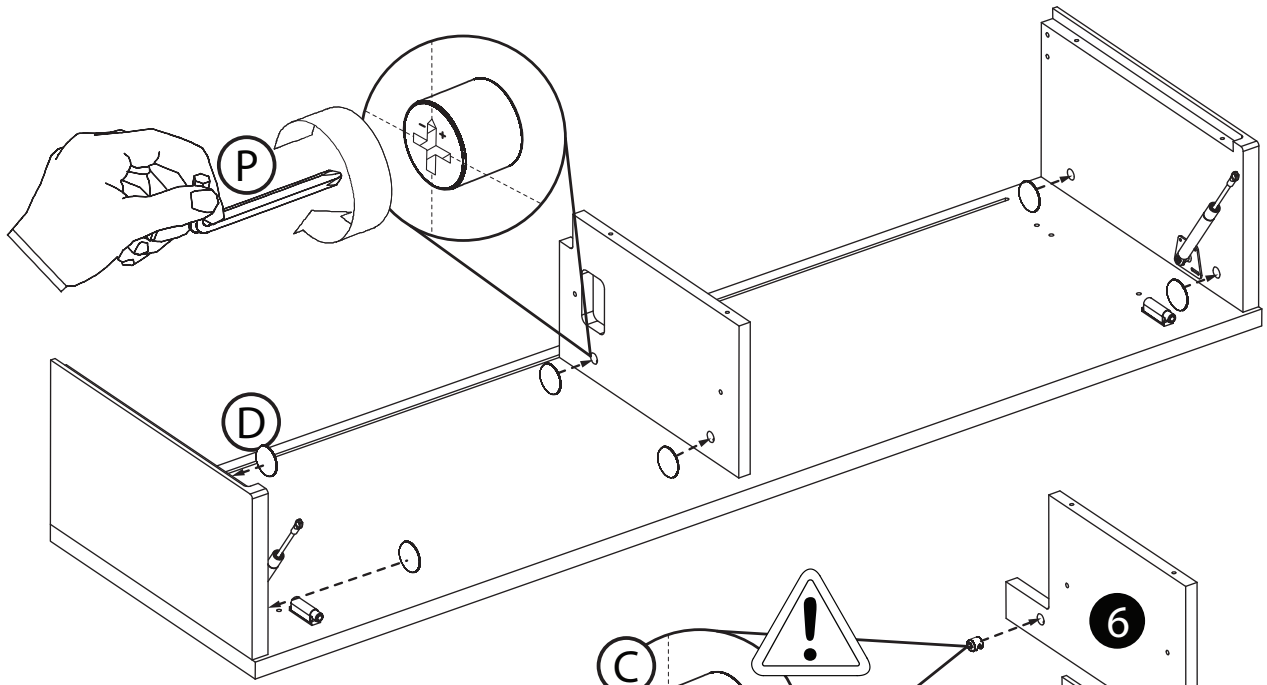
B x6

C x6

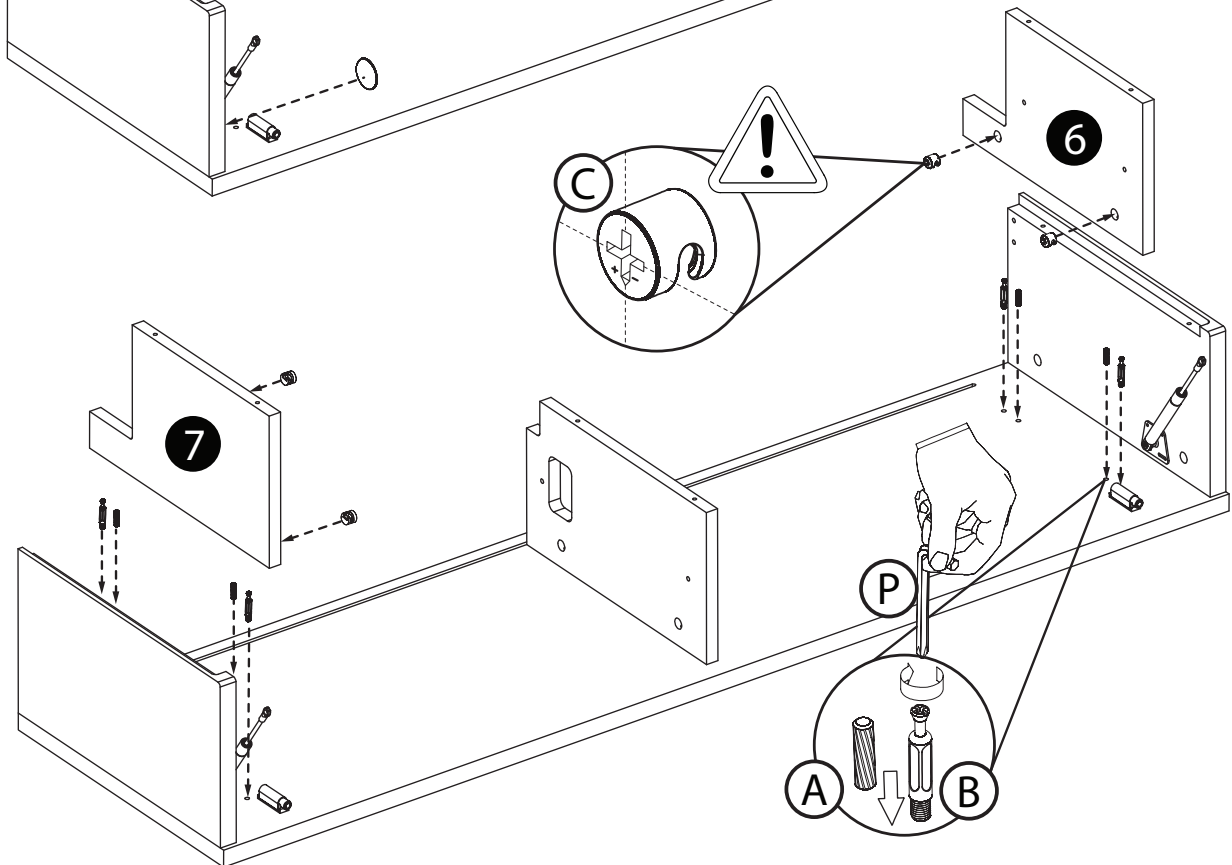
P



- 4
- D x6
- P

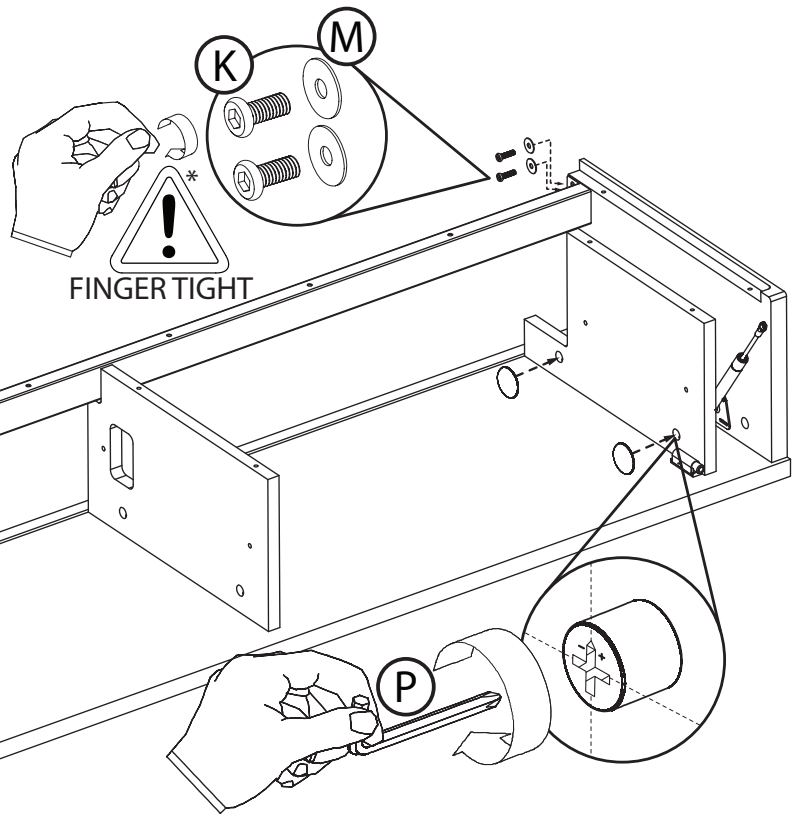


- 5
- A x4
- B x4
- C x4
- P

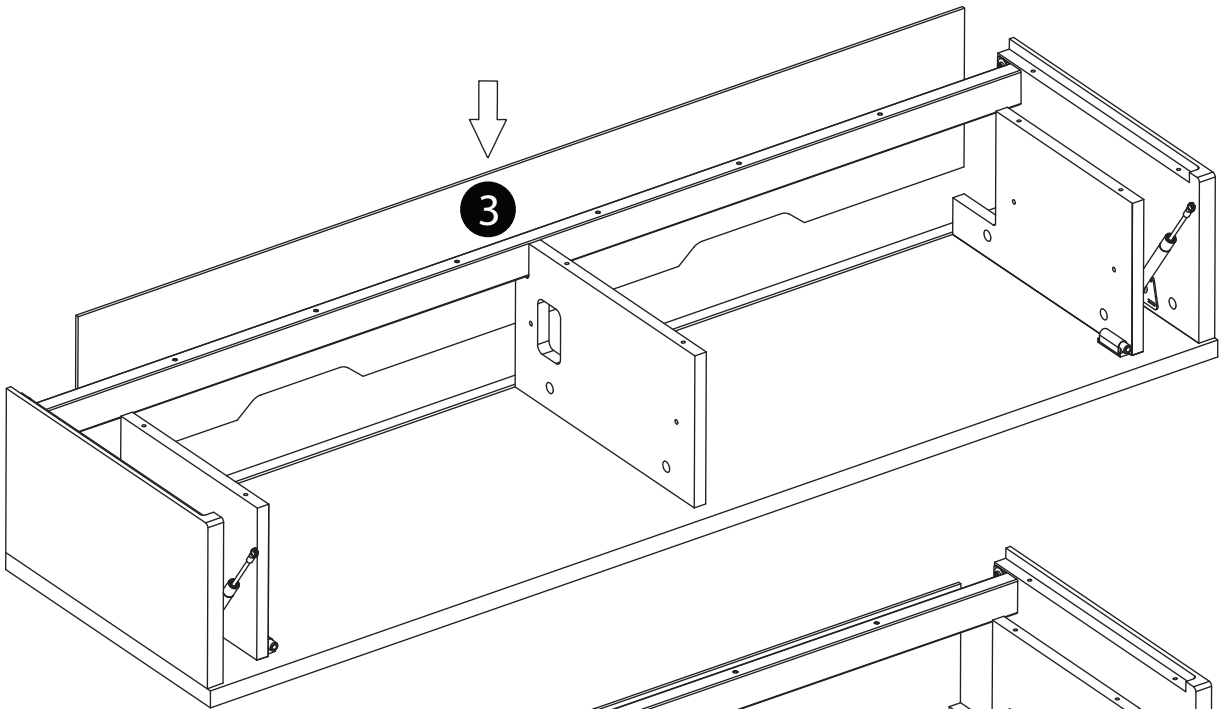


- 6
- K x4
- M x4
- D x4
- P

Take extra care not to over tighten any bolts as this may cause damage!



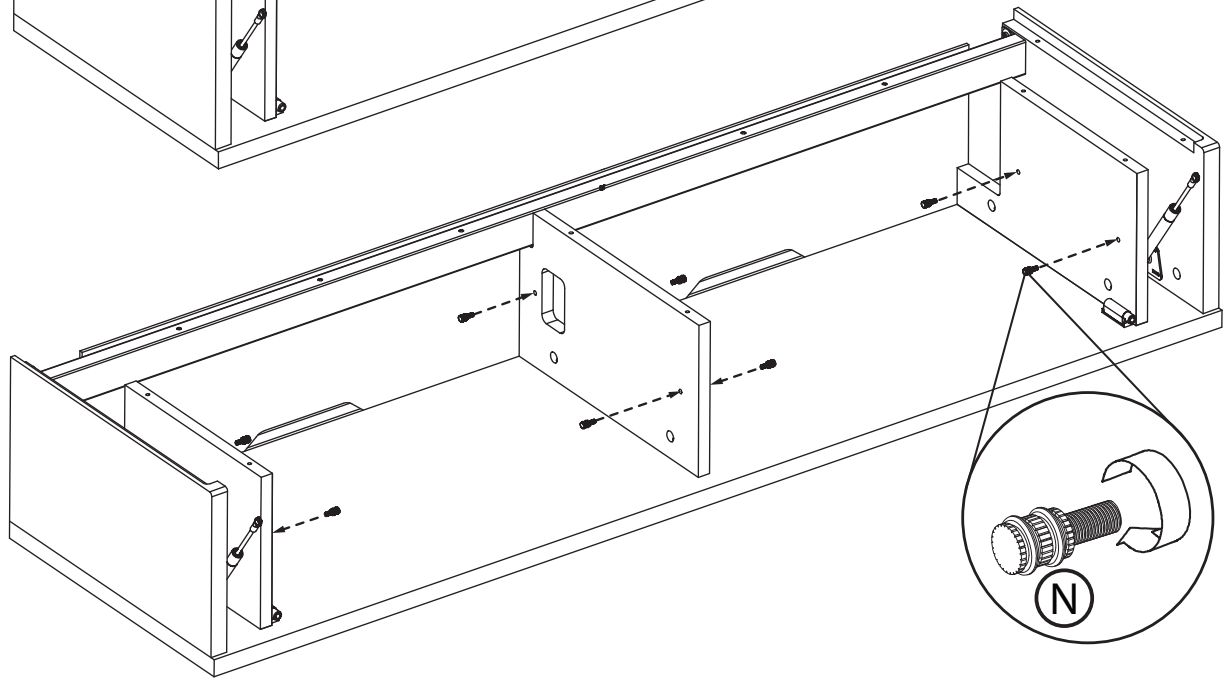
7



8

N

x8



9



Take extra care not to over tighten any screws or bolts as this may cause damage!

L

x6

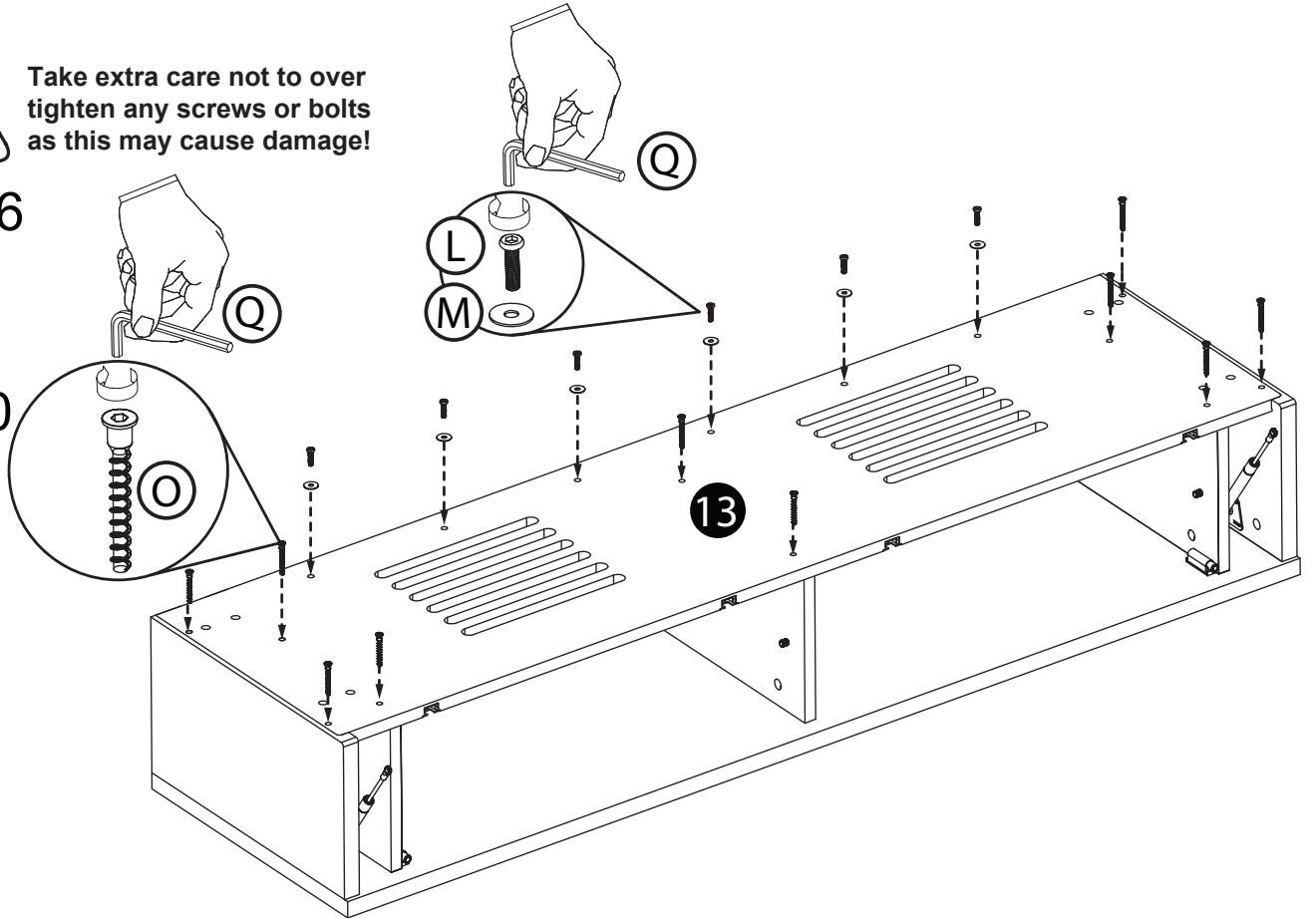
M

x6

O

x10

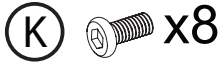
Q





10

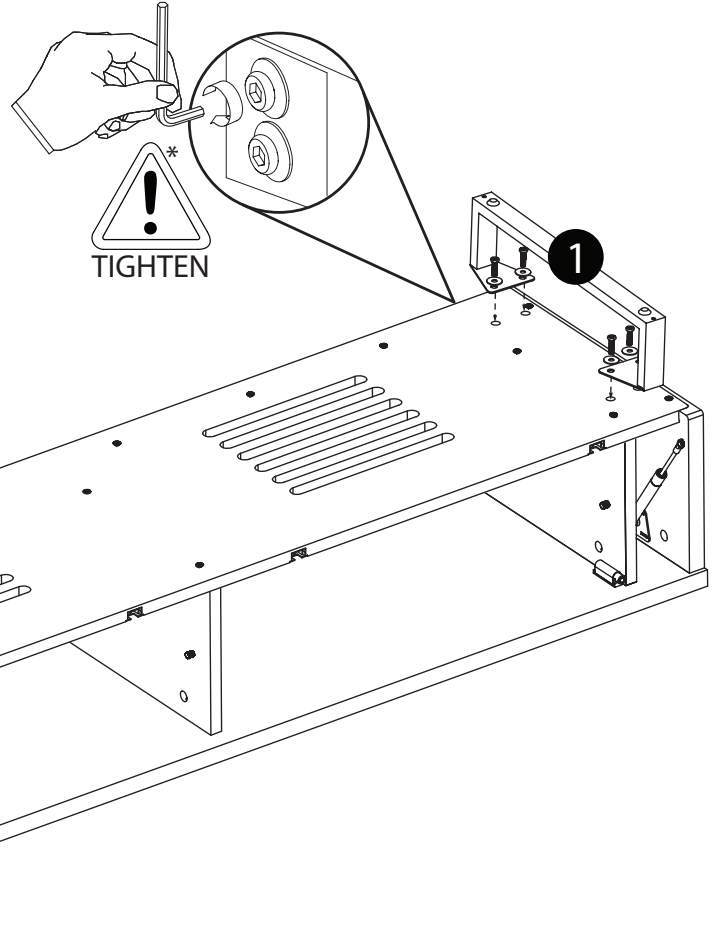
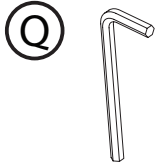
Take extra care not to over tighten any bolts as this may cause damage!



x8

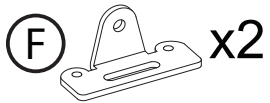


x8

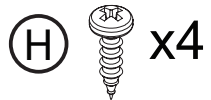


11

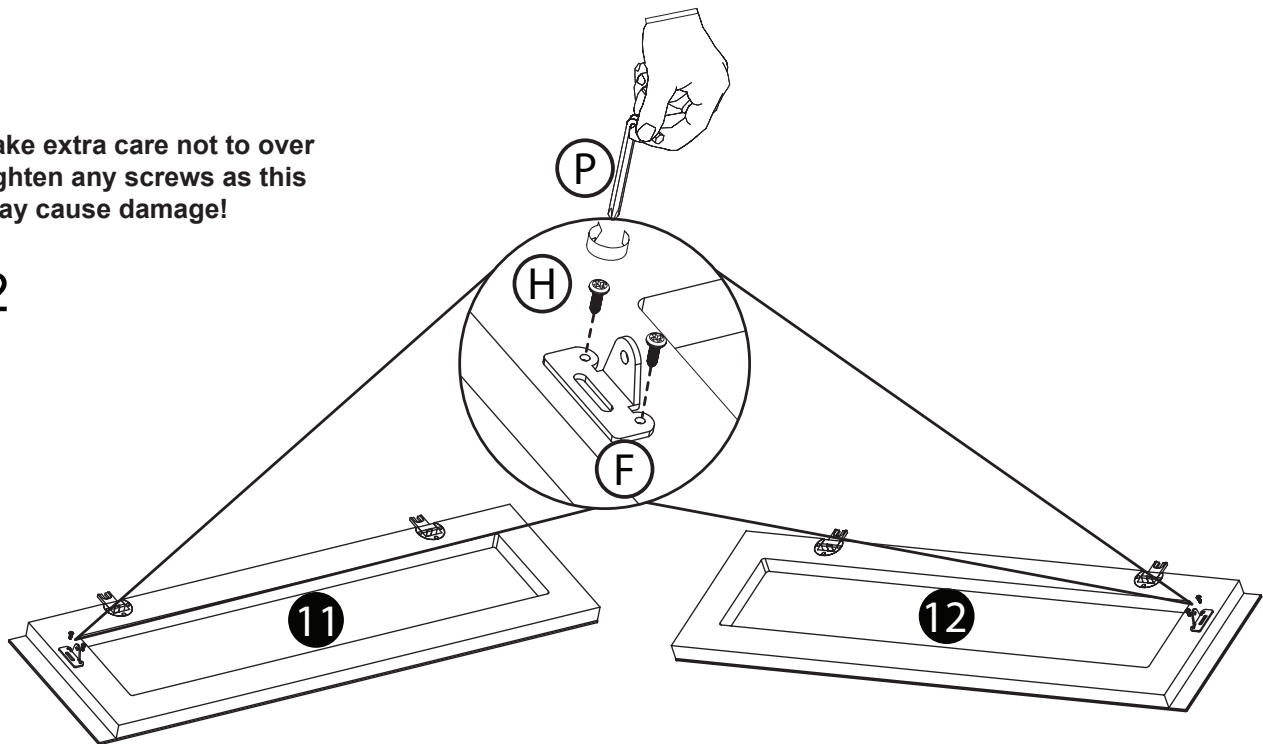
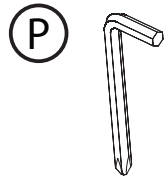
Take extra care not to over tighten any screws as this may cause damage!



x2



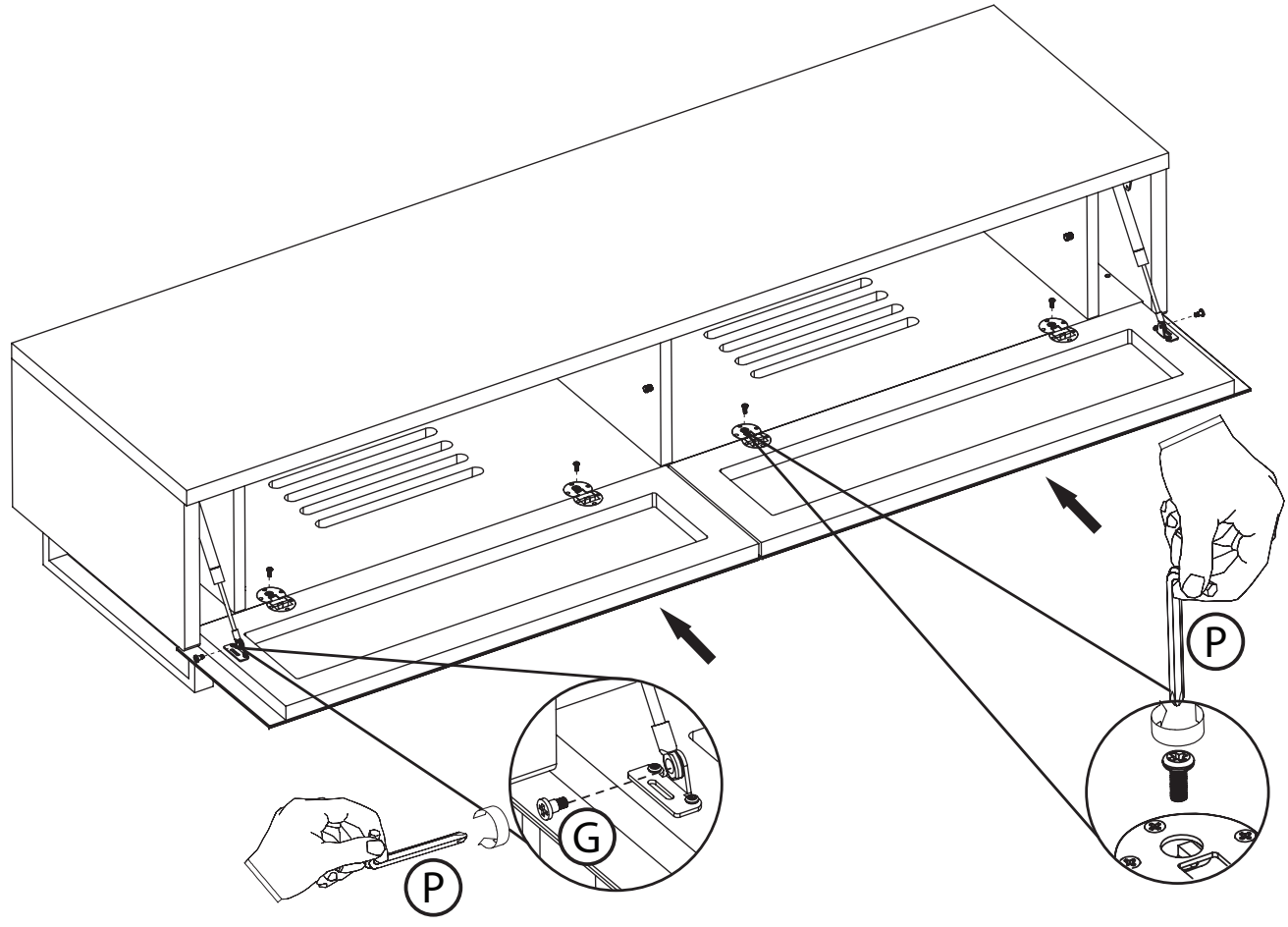
x4



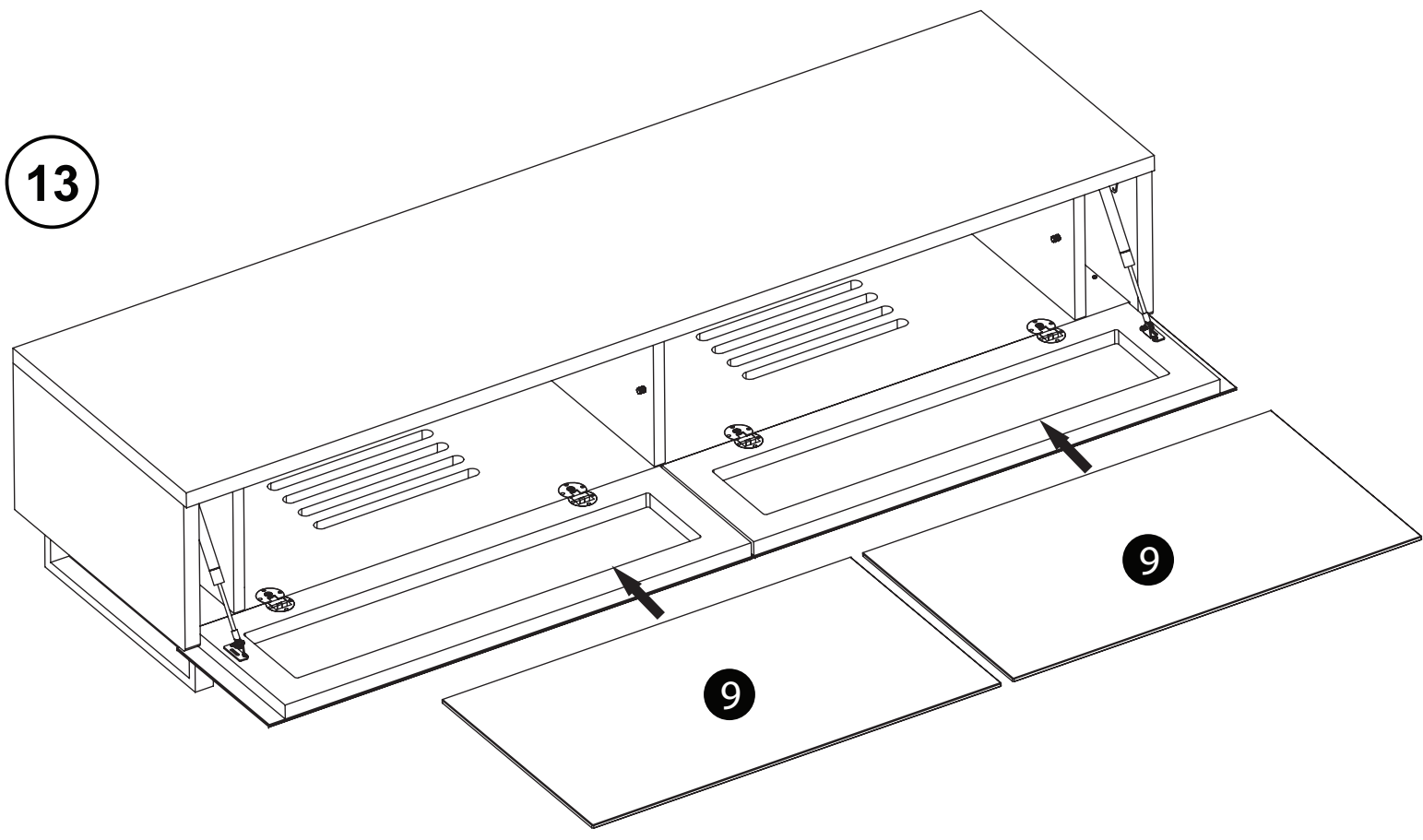
12

G x2

P



13

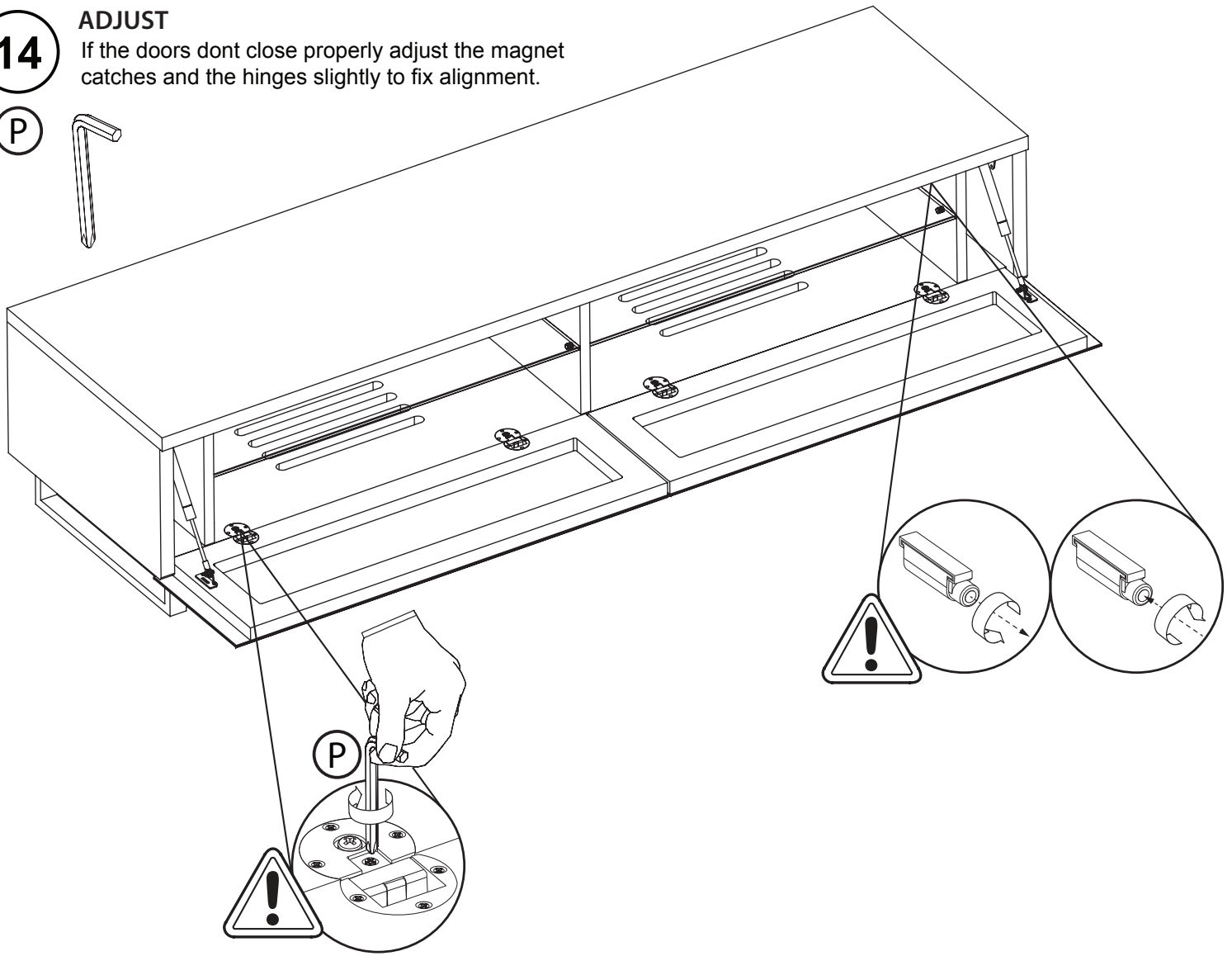


14

**ADJUST**

If the doors dont close properly adjust the magnet catches and the hinges slightly to fix alignment.

P



## Care Instructions:

This product uses real wood veneer. Slight colour change over time due to exposure to natural light is to be expected.

Avoid direct sunlight as this can produce colour changes in the areas affected.

Colour and pattern variation is to be expected with this natural material and does not constitute a product defect.

Clean all surfaces using a soft damp cloth. A suitable furniture polish can be used if required.

Do not use abrasive cleaners.

Do not place hot or cold items in direct contact with any part of this product.

Take care not to overtighten any part of this assembly.