

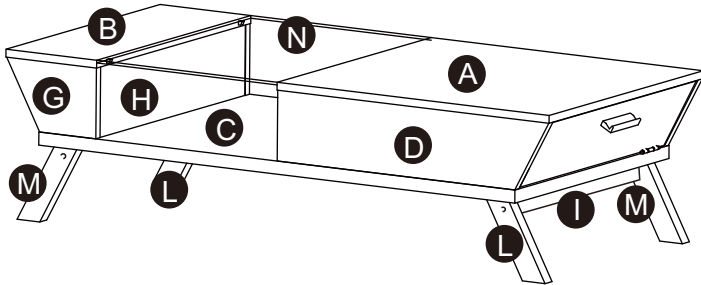
JEWEL GLASS TOP COFFEE TABLE

ASSEMBLY INSTRUCTIONS

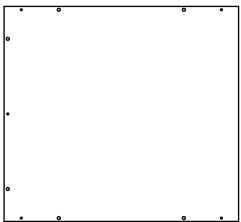
MODEL # YNJ-CT1015

Please keep for future reference

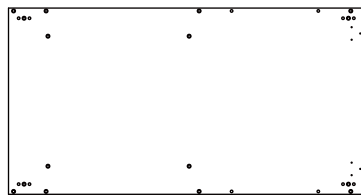
PARTS LIST



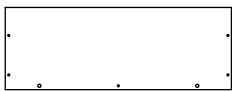
A 1PCS
TOP PANEL



C 1PCS
BOTTOM PANEL



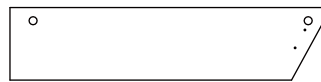
B 1PCS
SMALL TOP PANEL



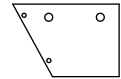
D 1PCS
RIGHT-SIDE
FRONT PANEL



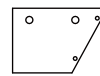
E 1PCS
RIGHT-SIDE
REAR PANEL



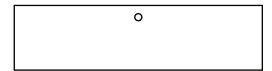
F 1PCS
LEFT-SIDE
REAR PANEL



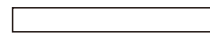
G 1PCS
RIGHT-SIDE
REAR PANEL



H 2 PCS
INNER SIDE PANEL



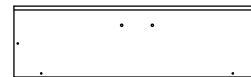
I 2PCS
BRACE PANEL



K 1PCS
LEFT SIDE PANEL



J 1PCS
DOOR PANEL



N 1PCS
TOP GLASS



L 4PCS
TABLE LEG

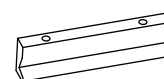
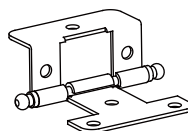
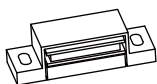


HARDWARE LIST

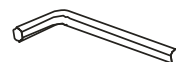
- ① 10 PCS CAM LOCK PIN ② 10 PCS CAM LOCK NUT ③ 28 PCS WOOD DOWEL ④ 24PCS ALLEN WOOD BOLT ⑤ 2 PCS METAL PLATE



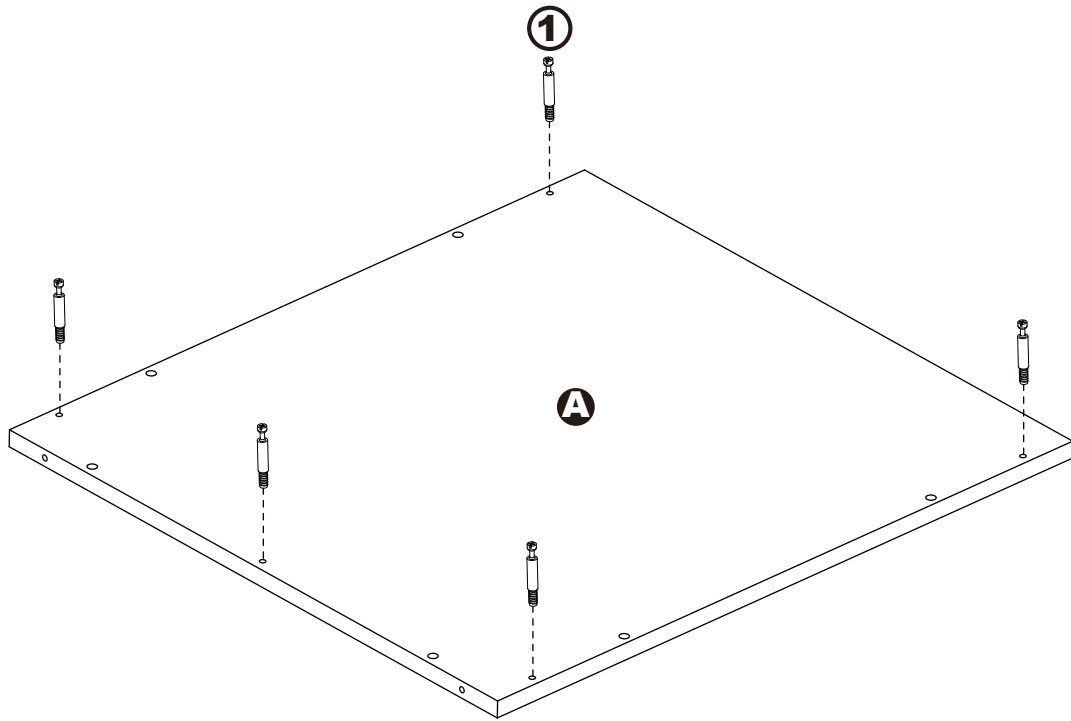
- ⑥ 2 PCS MAGNET UNIT ⑦ 4 PCS GLASS BRACE ⑧ 2 PCS DOOR HINGE ⑨ 1 PCS HANDLE ⑩ 14 PCS SHORT-SIZE WOOD SCREW



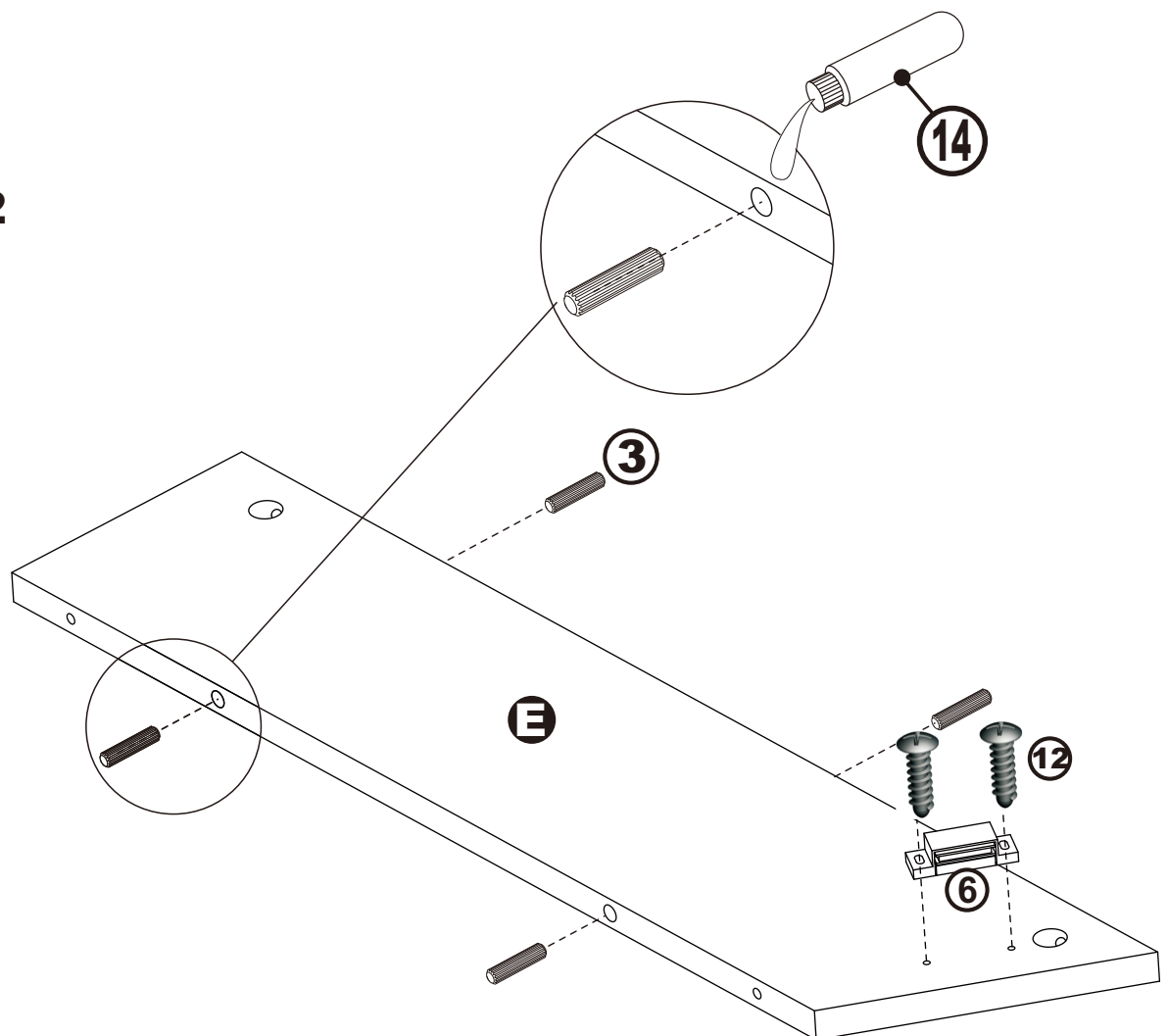
- ⑪ 2 PCS PHILIP HEAD BOLT ⑫ 4 PCS PHILIP HEAD BOLT ⑬ 1 PCS ALLEN KEY ⑭ 1 PCS GLUE ⑮ 4PCS



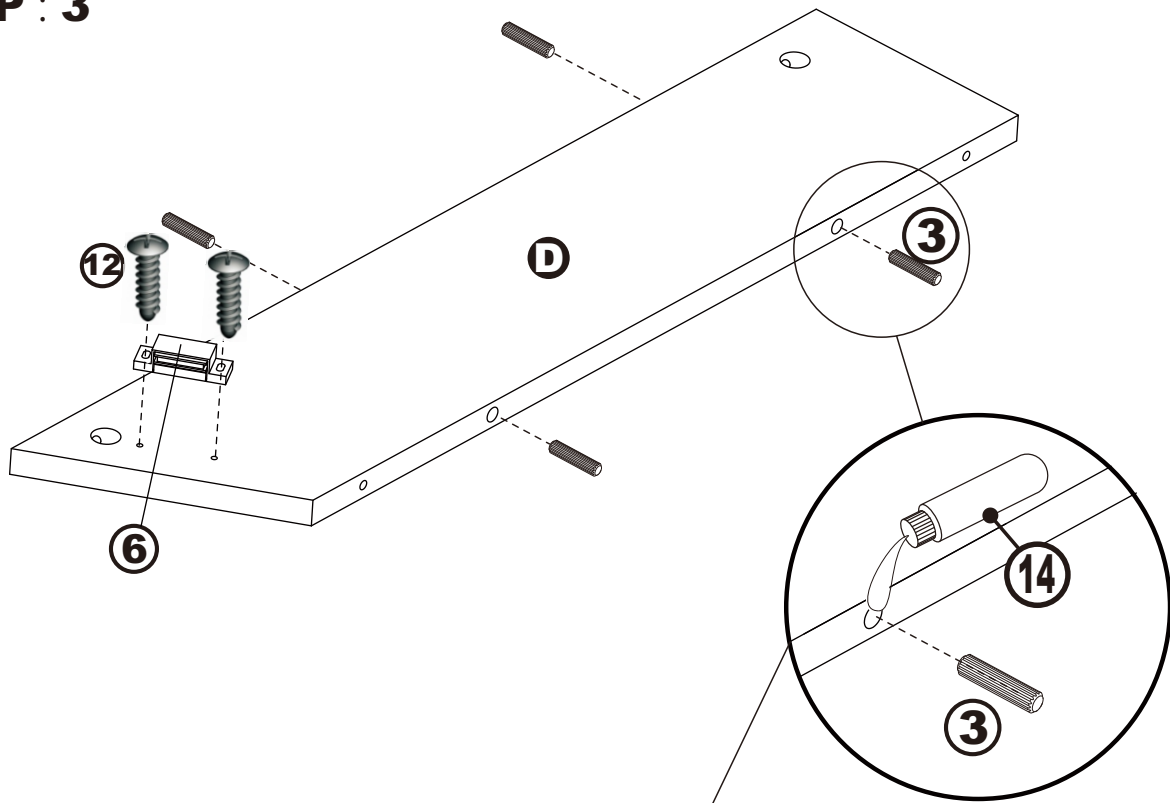
STEP : 1



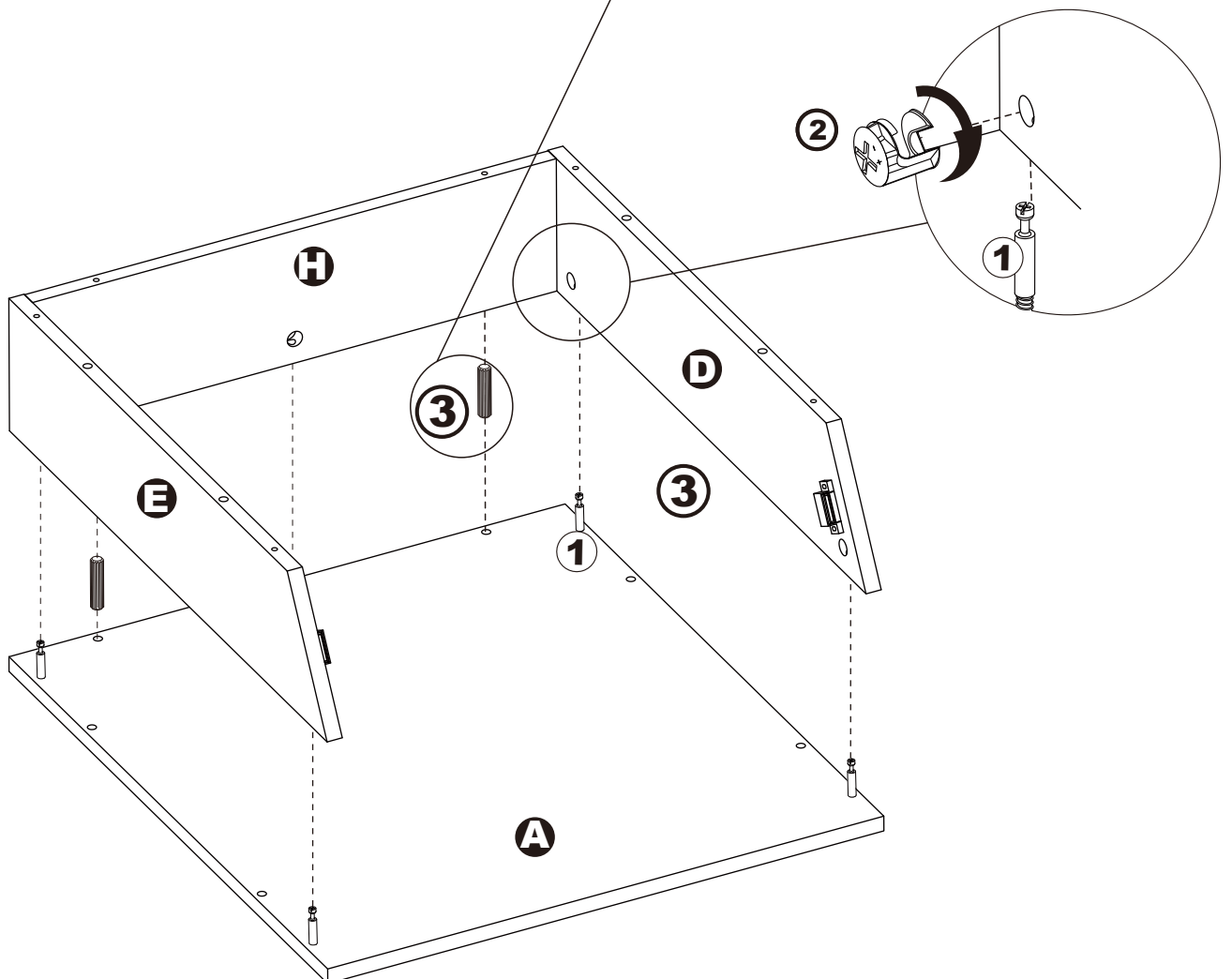
STEP : 2



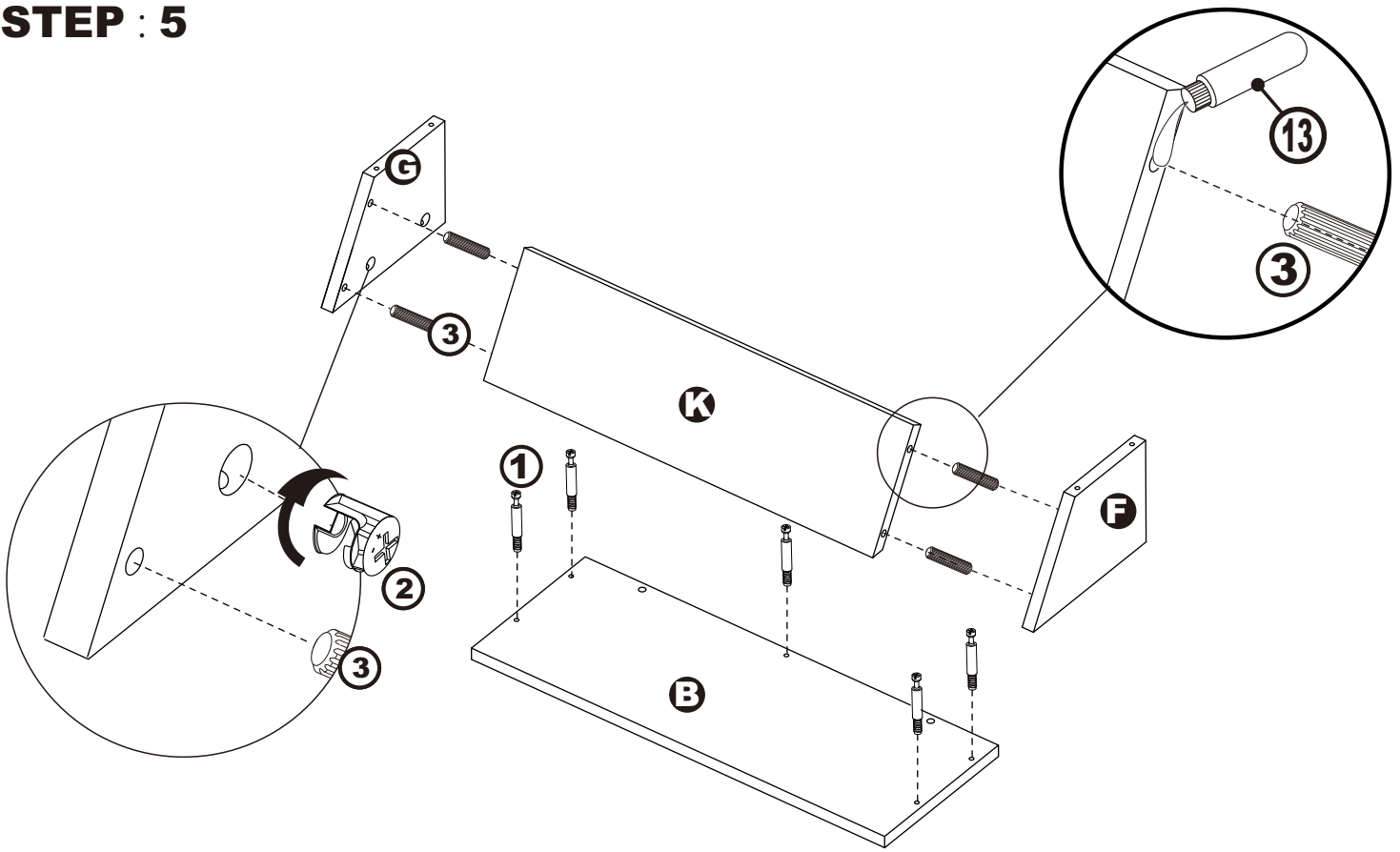
STEP : 3



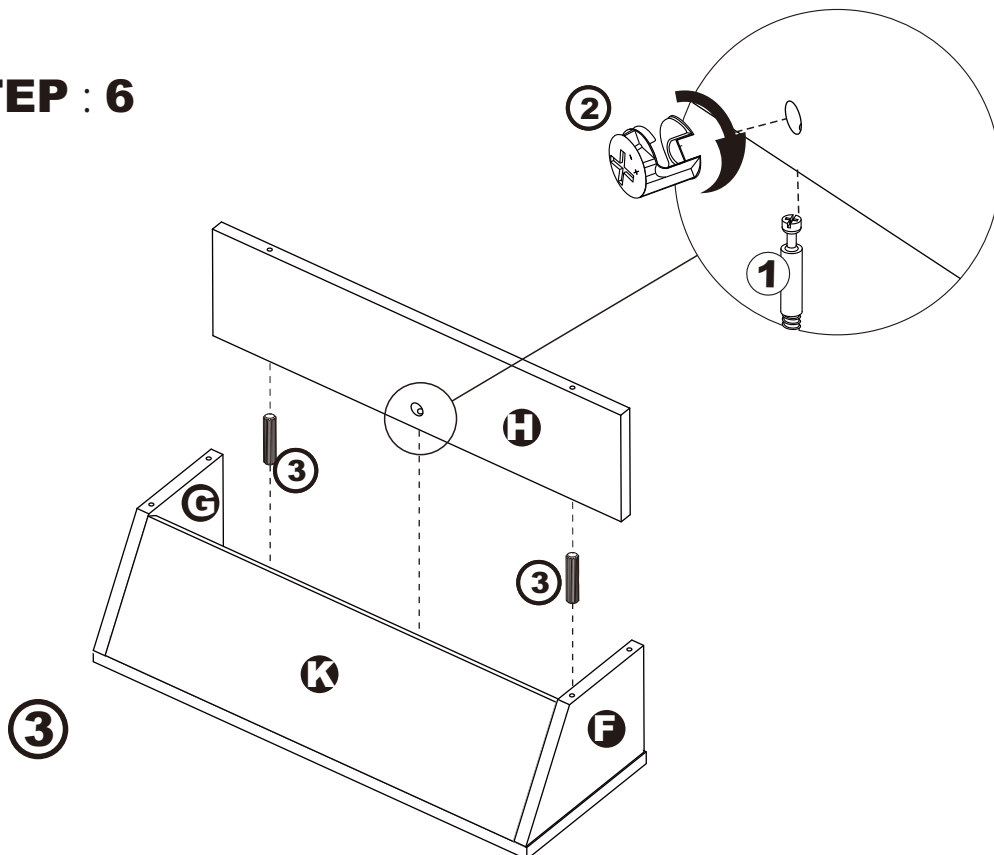
STEP : 4



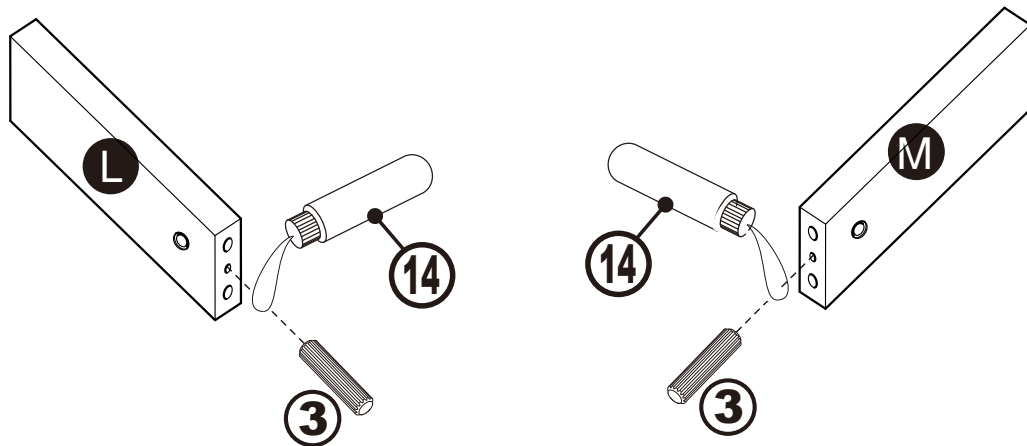
STEP : 5



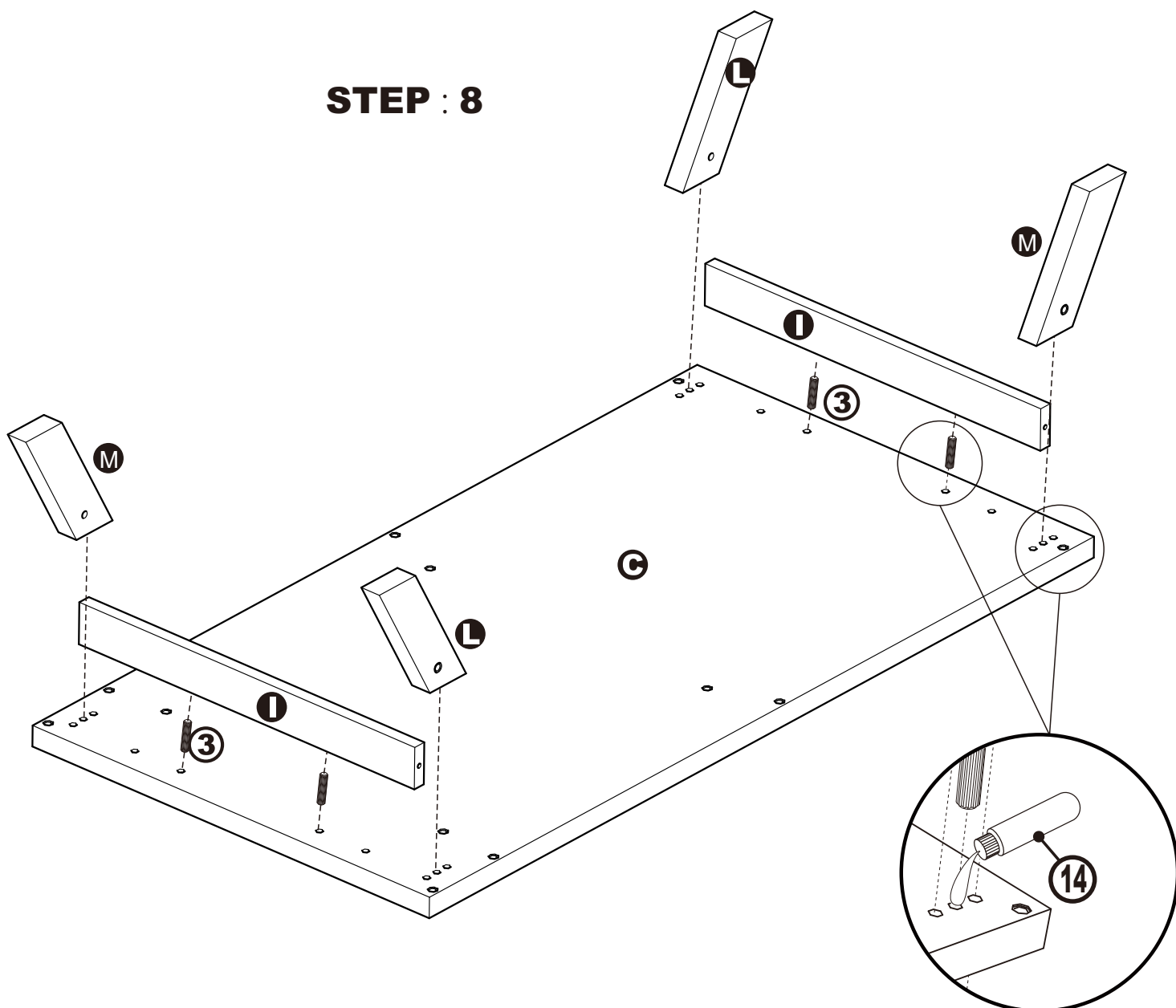
STEP : 6



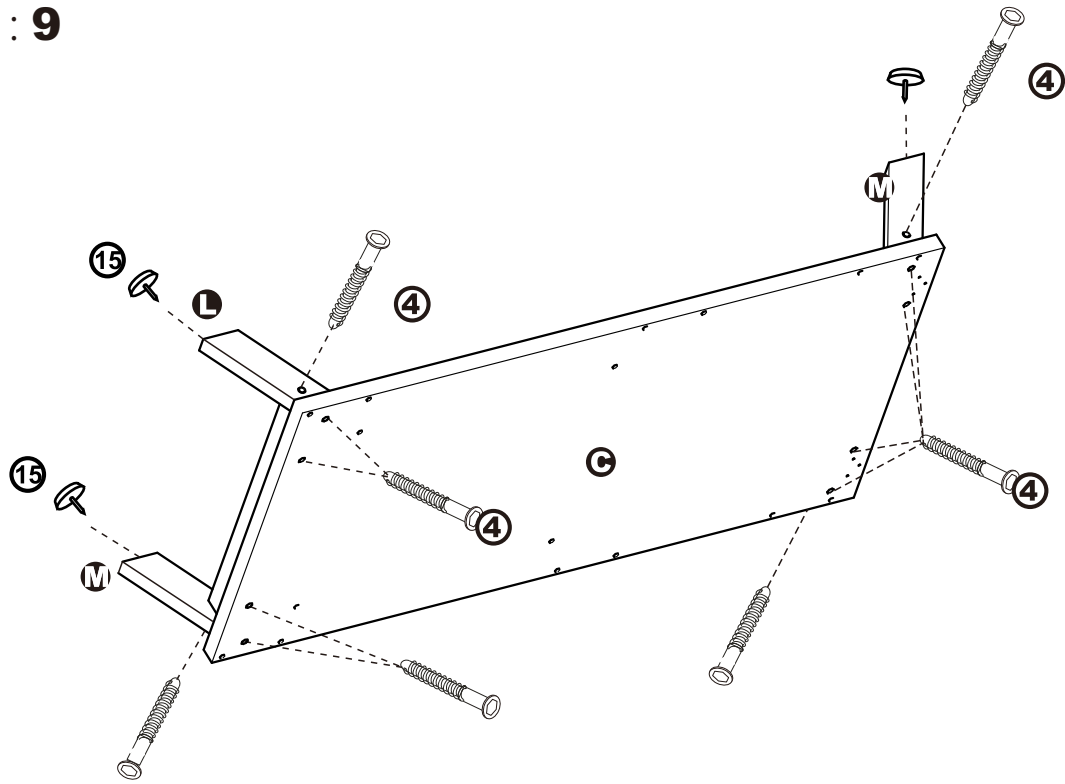
STEP : 7



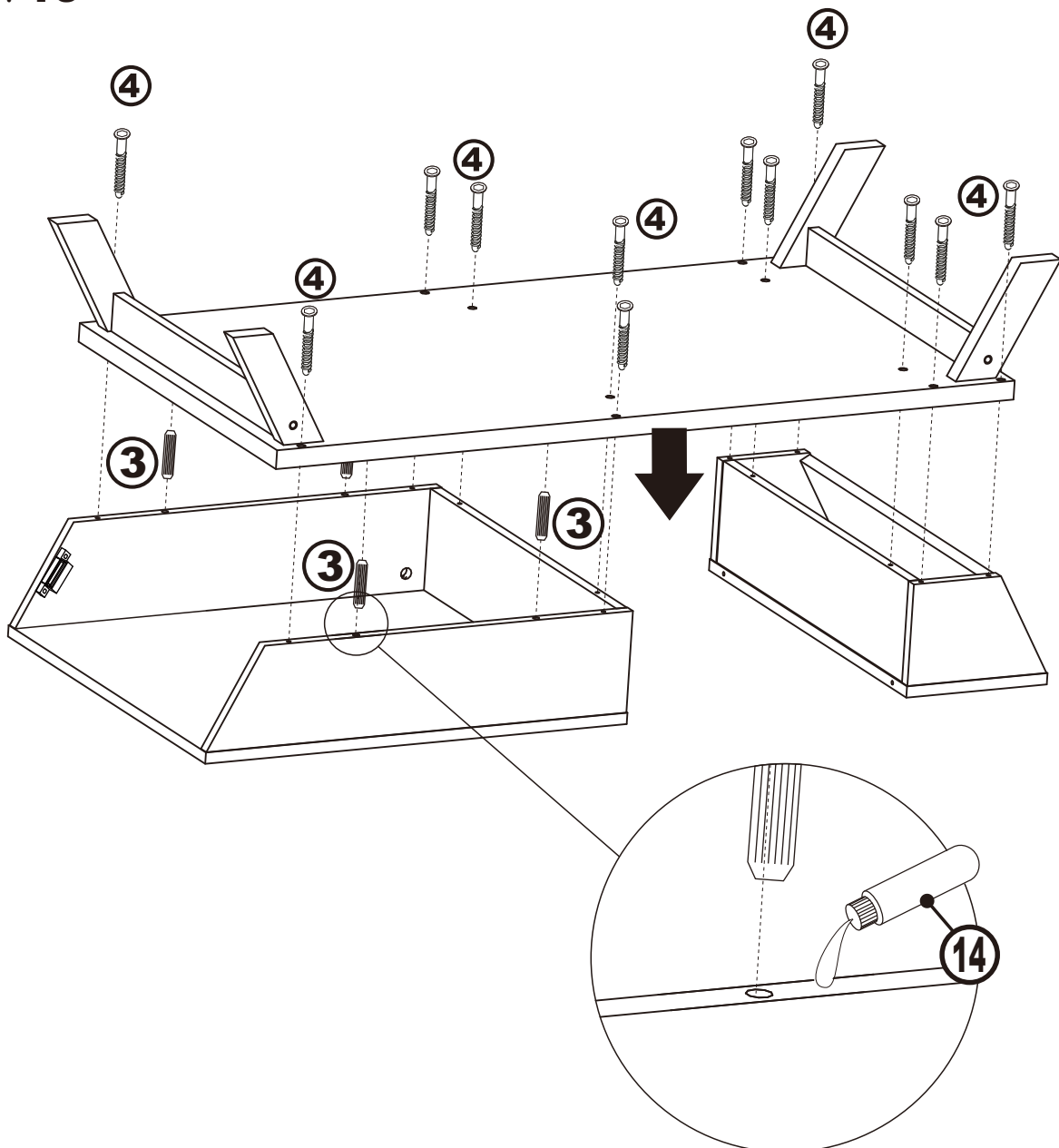
STEP : 8



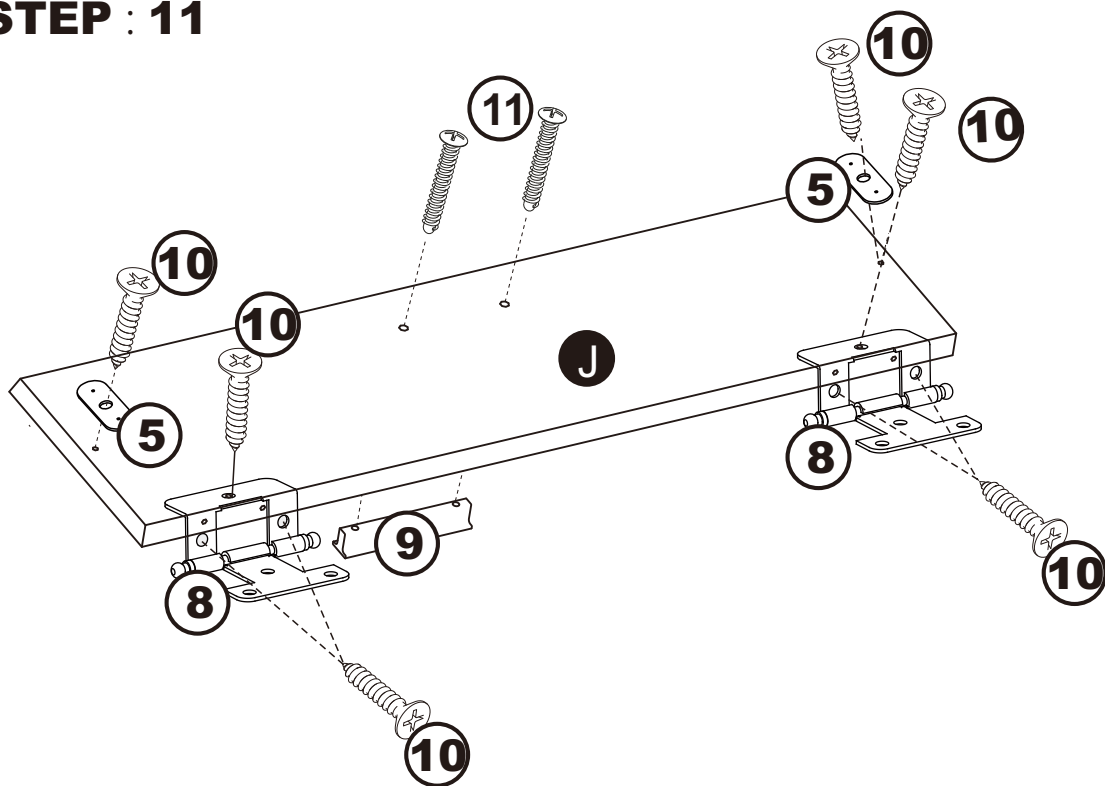
STEP : 9



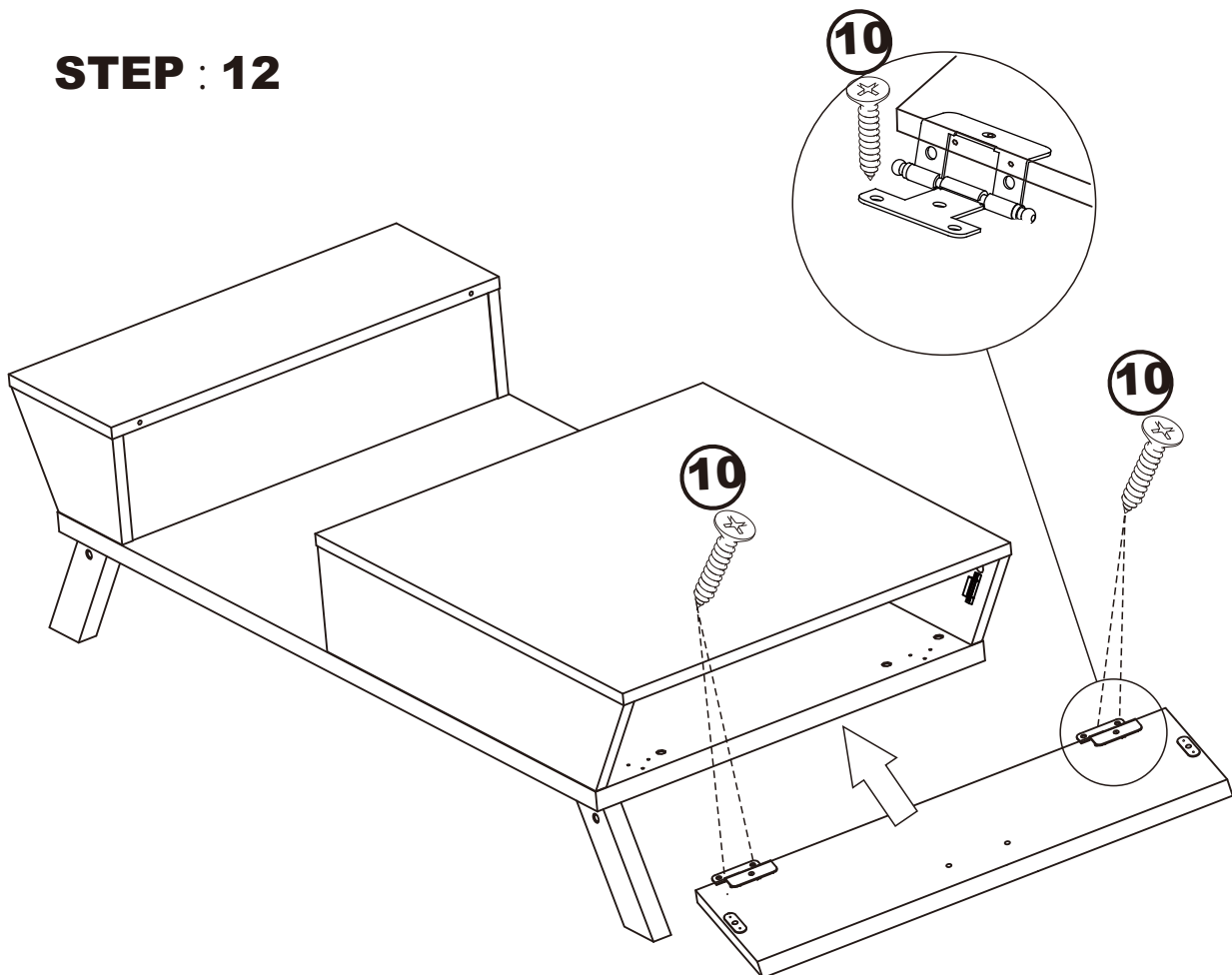
STEP : 10



STEP : 11



STEP : 12



STEP : 13 & FINISH

