

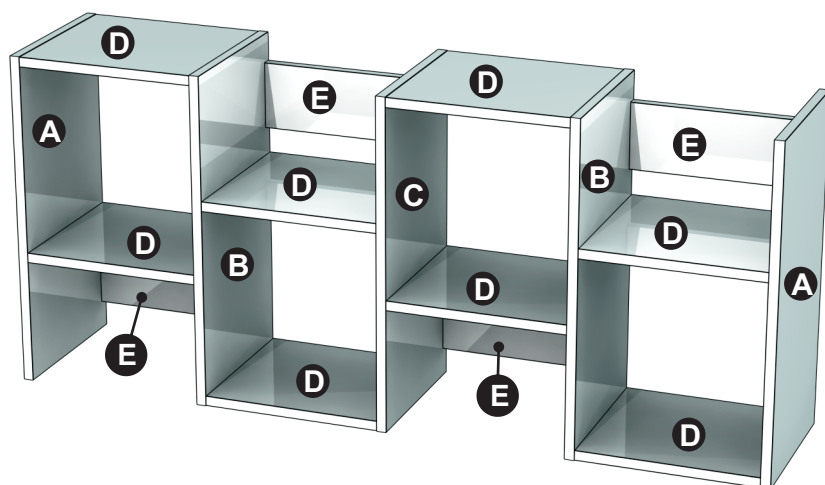
Bookcase

ASSEMBLY INSTRUCTIONS

MODEL # MAR-080 BLK & MAR-080 WNT

Please keep for future reference

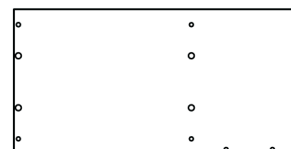
PARTS LIST



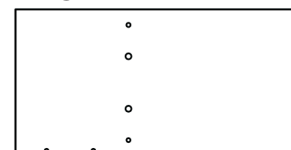
A 2PCS SIDE PANEL



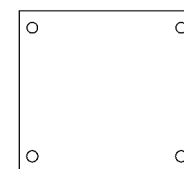
B 2PCS CENTER SIDE PANEL



C 1PC VERTICAL PANEL



D 8PCS SHELF PANEL



E 4PCS BACK PANEL



Overall size :
W 53.35" x D 11.77" x H 23.62"

HARDWARE LIST

① 32PCS WOOD DOWEL



② 48PCS CAM LOCK PIN



③ 48PCS CAM LOCK NUT



④ 1PC GLUE



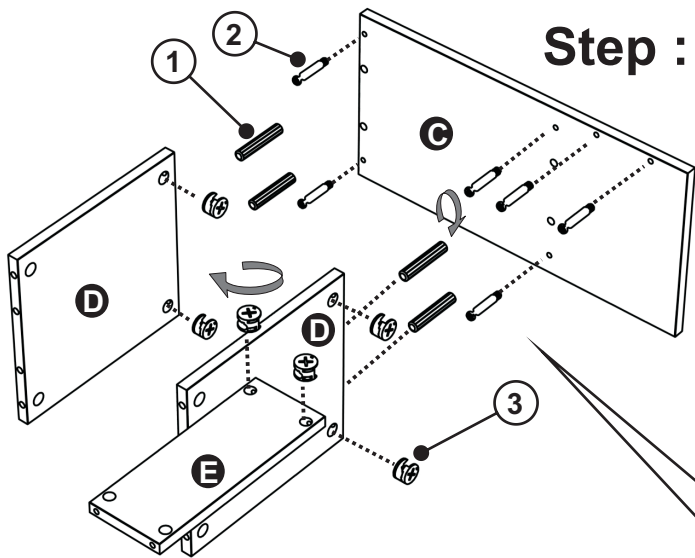
⑤ 48PCS HOLE STICKER



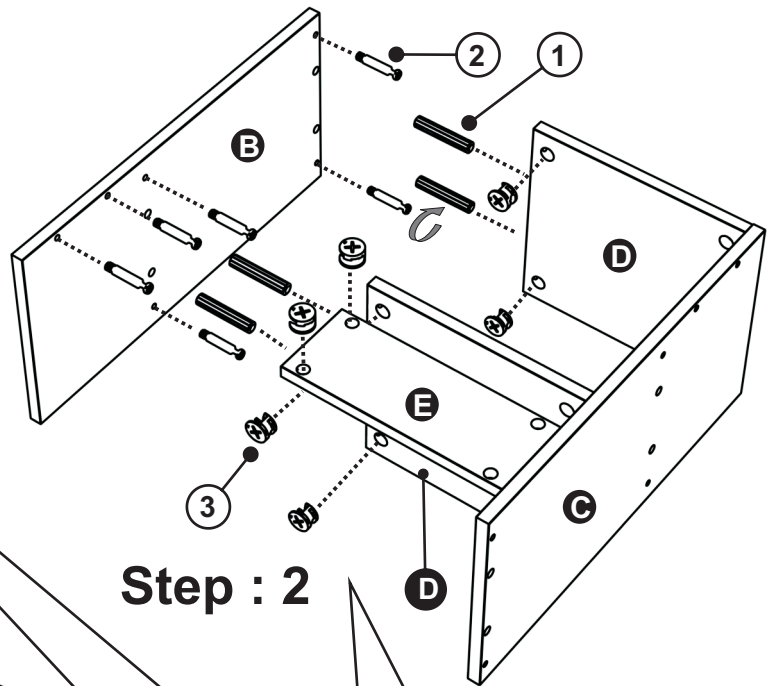
2010 05 12 - 2010 06 10

STEP : 1 ~ 4

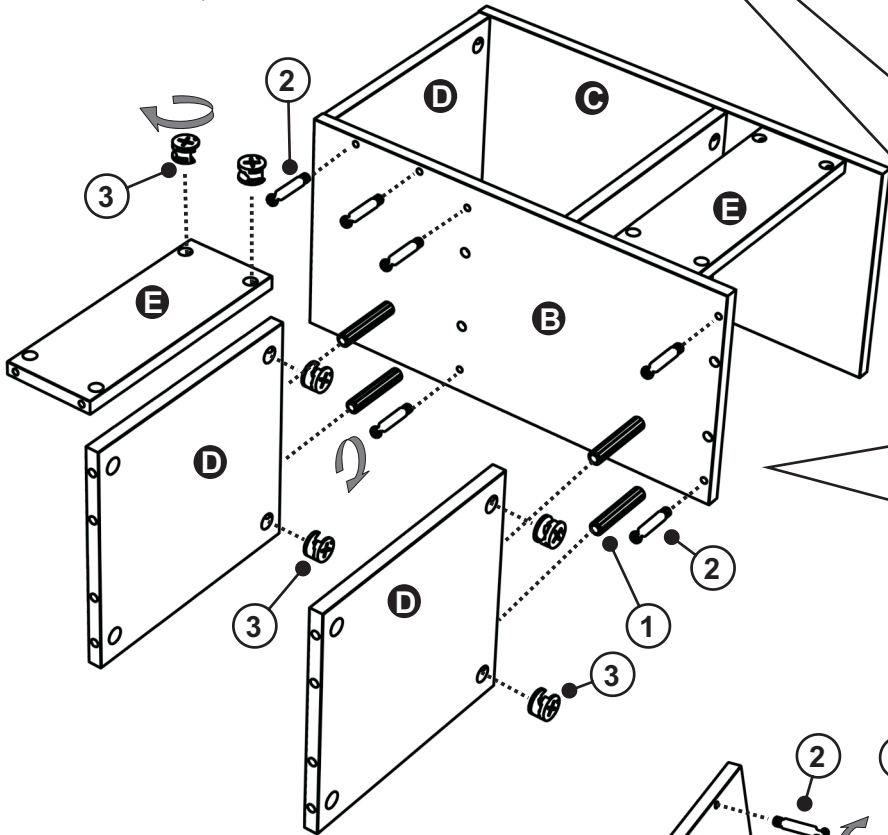
Step : 1



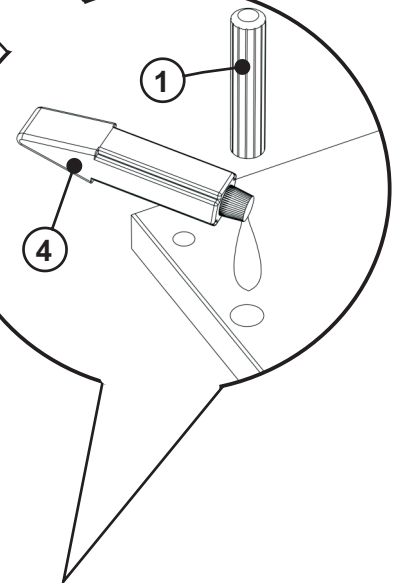
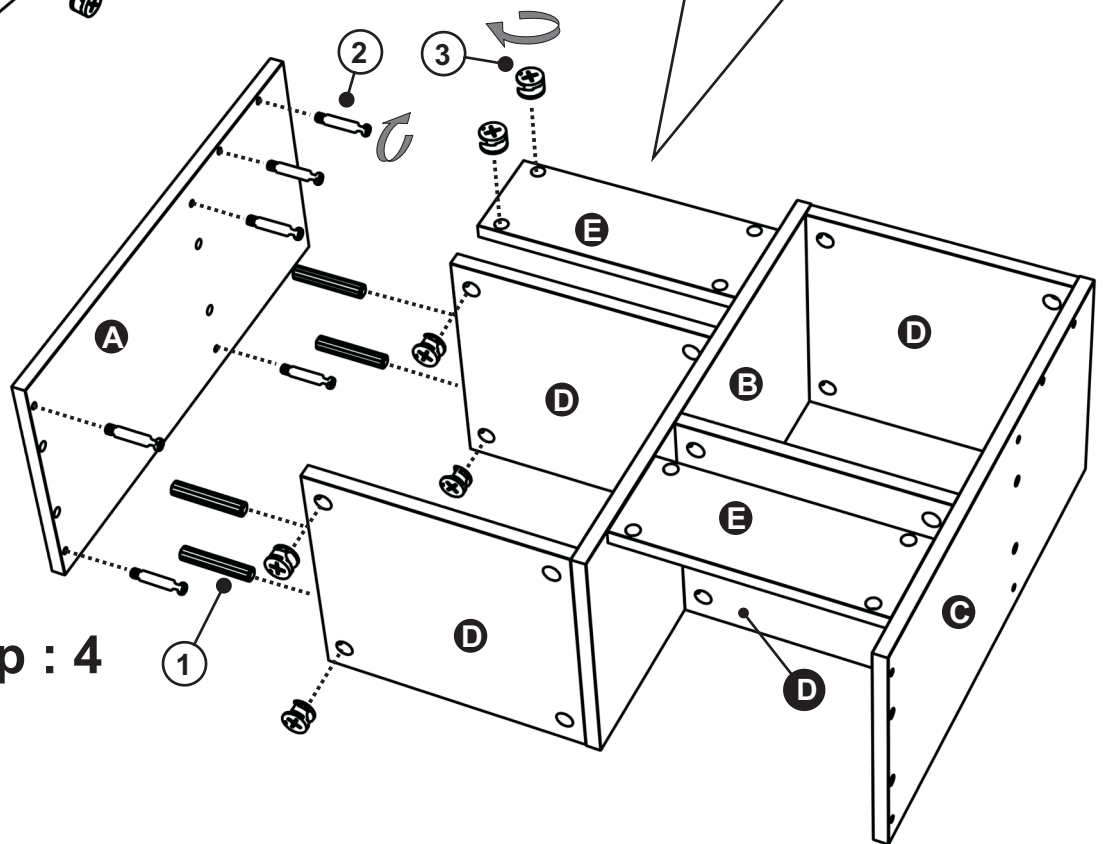
Step : 2



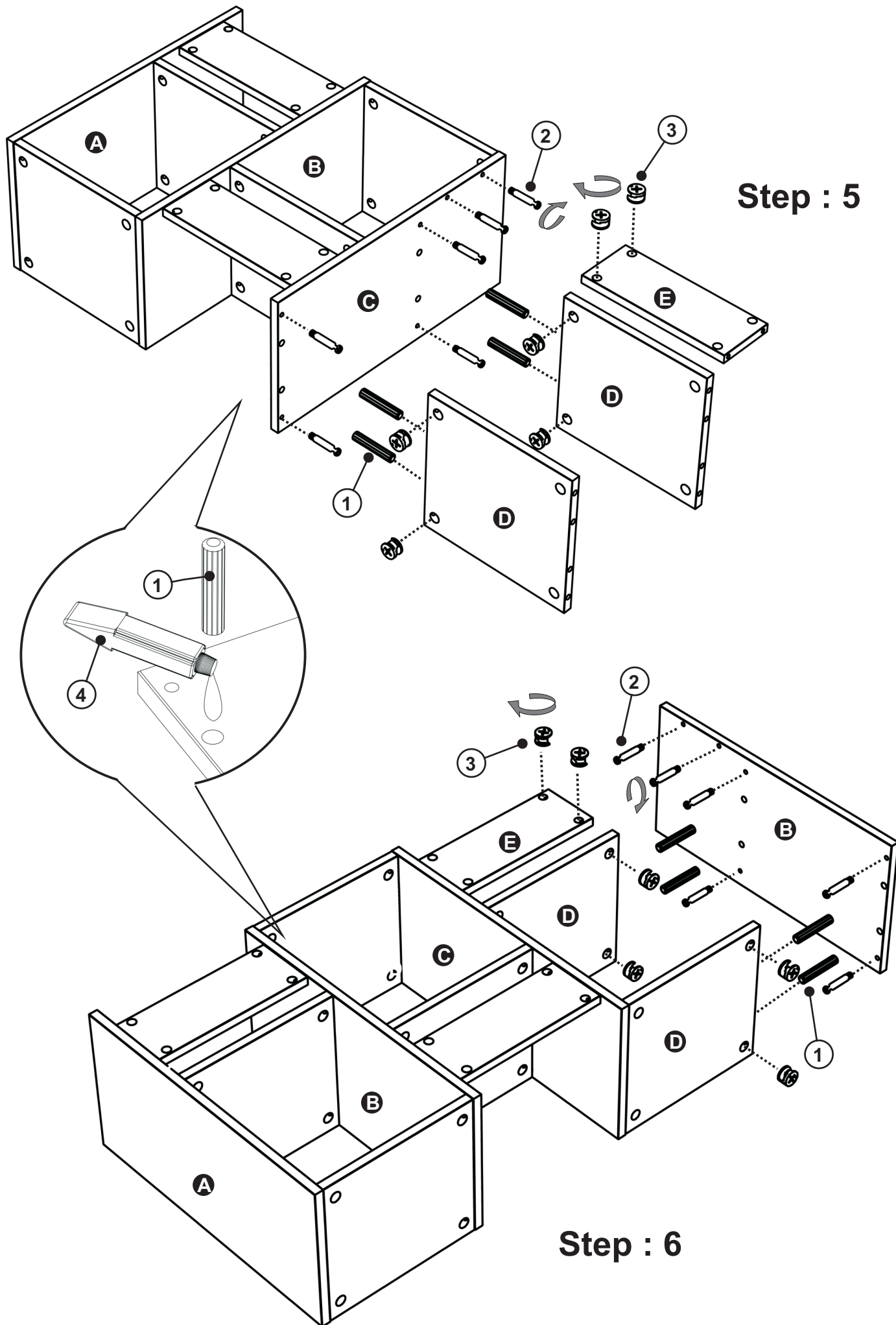
Step : 3



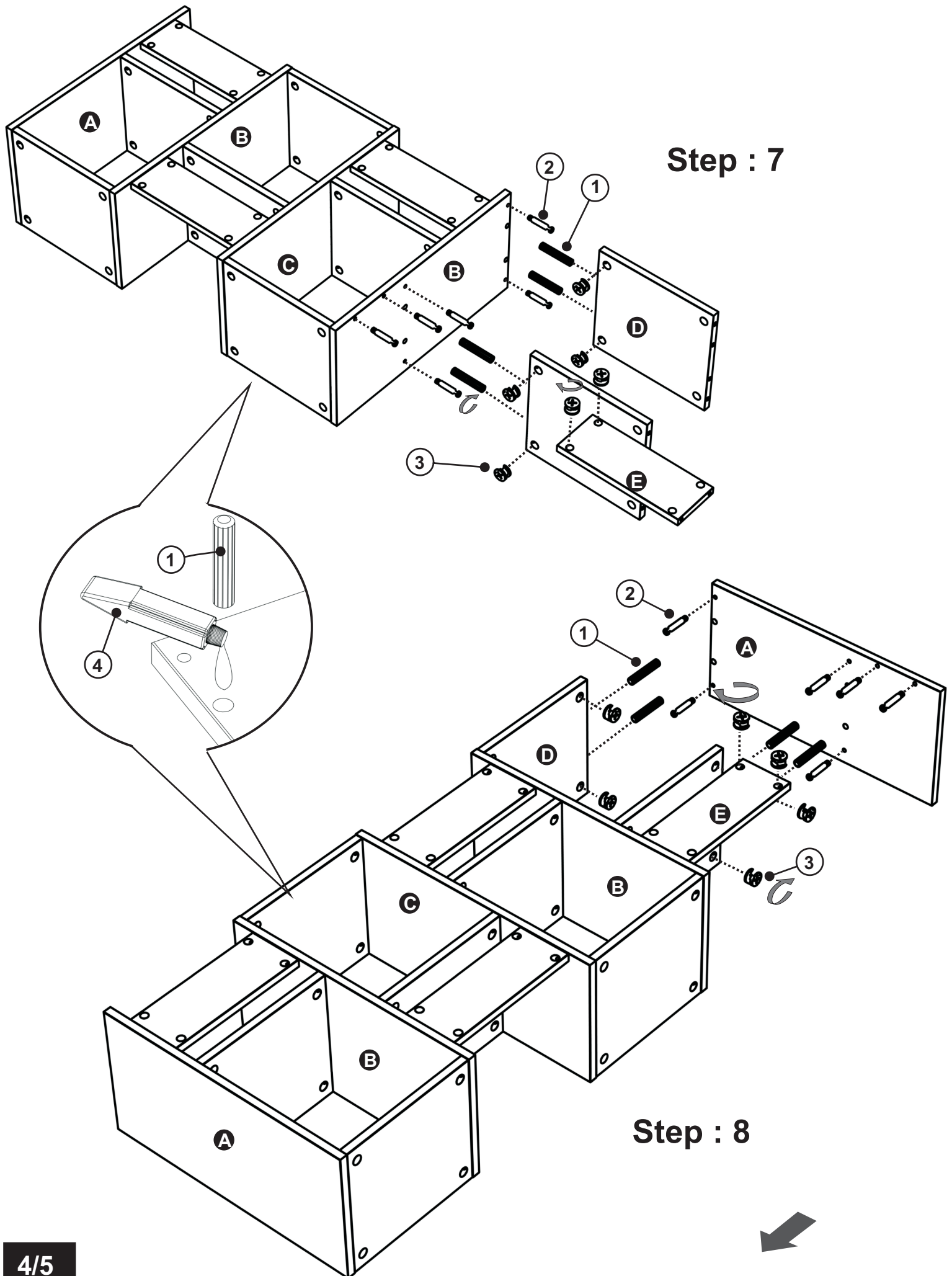
Step : 4



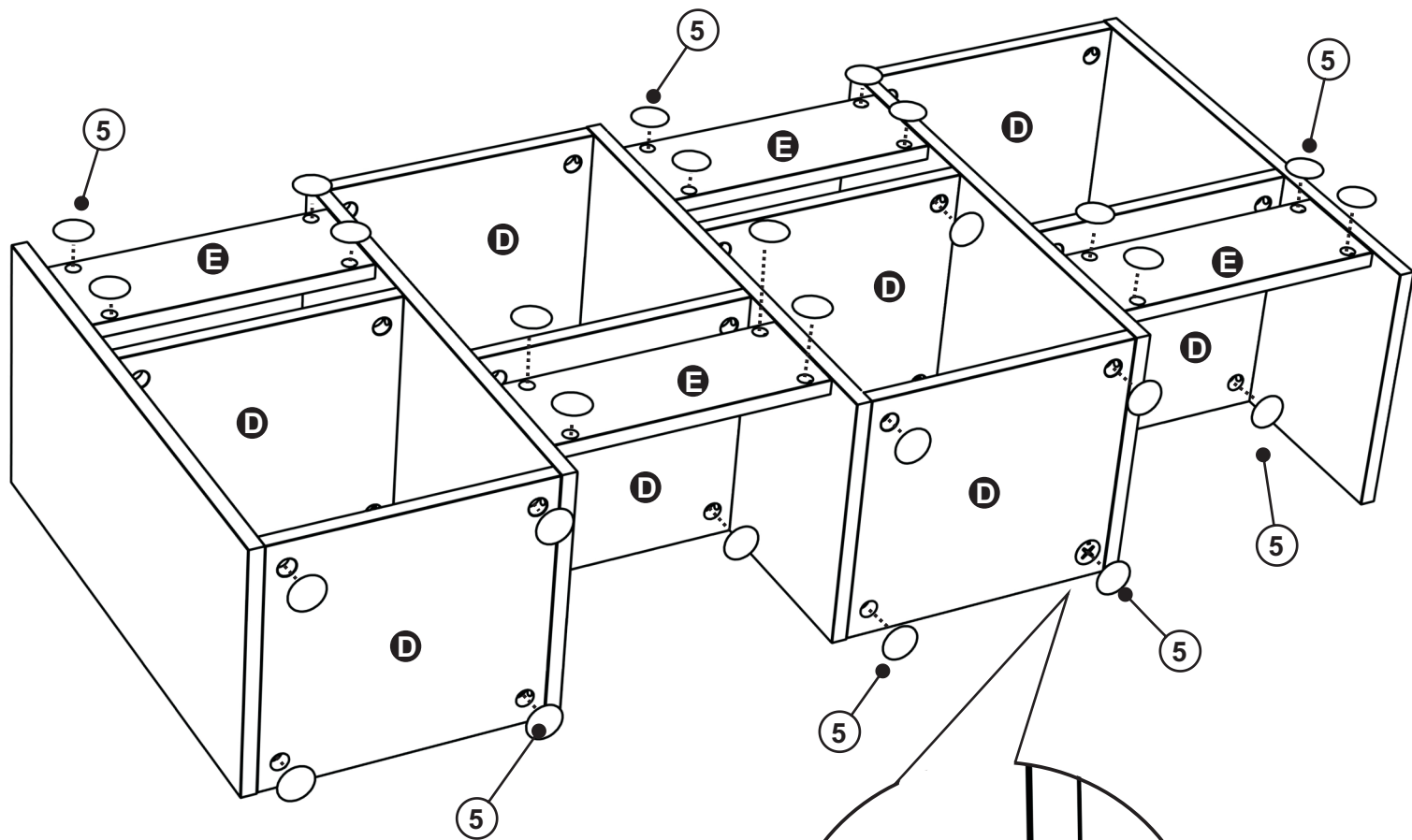
STEP : 5 and 6



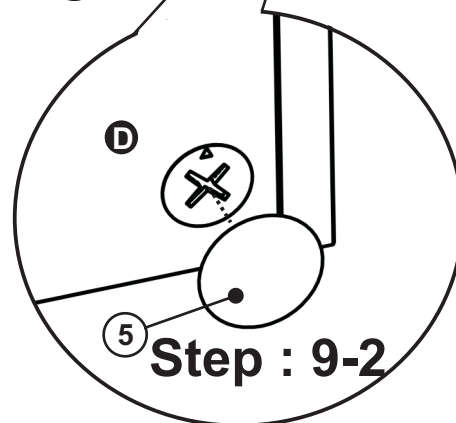
STEP : 7 and 8



STEP : Finish



Step : 9-1



Step : 9-2