

# ASSEMBLY INSTRUCTION

---

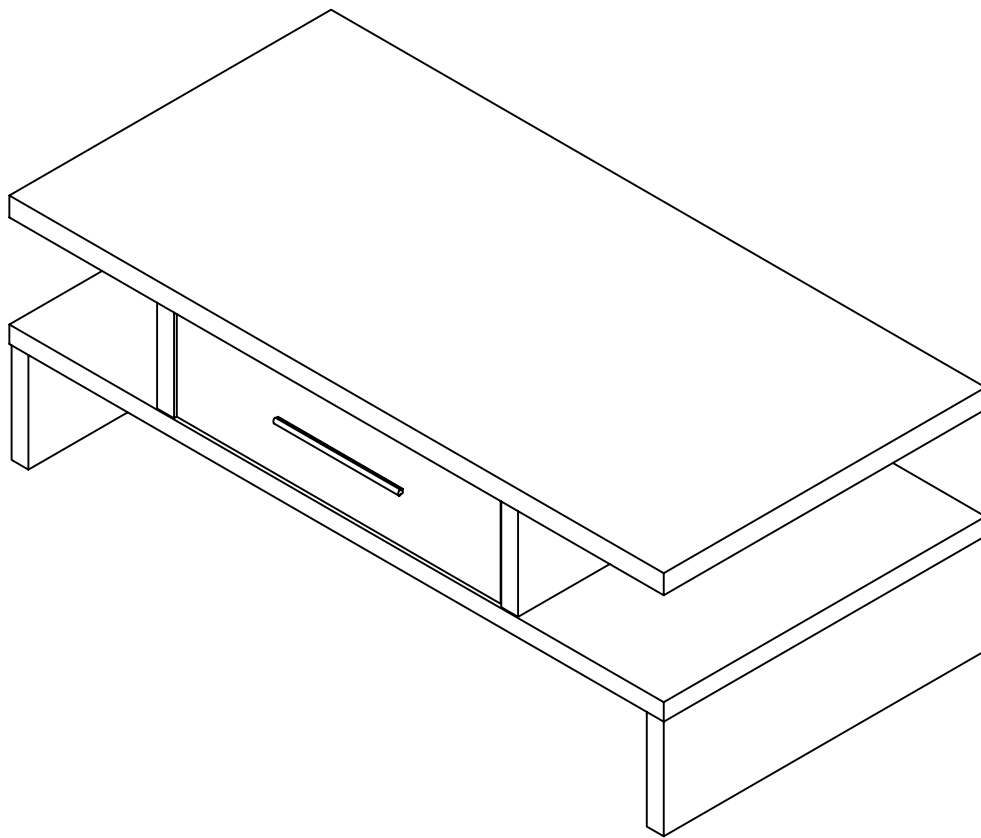
## **PLEASE READ BEFORE ASSEMBLING!**

Tip #1: Make sure you've taken all the pieces and hardware out of its packaging before discarding the box.

Tip #2: Using page 2 and/or page 3 of instruction manual make sure all pieces and hardware are accounted for.

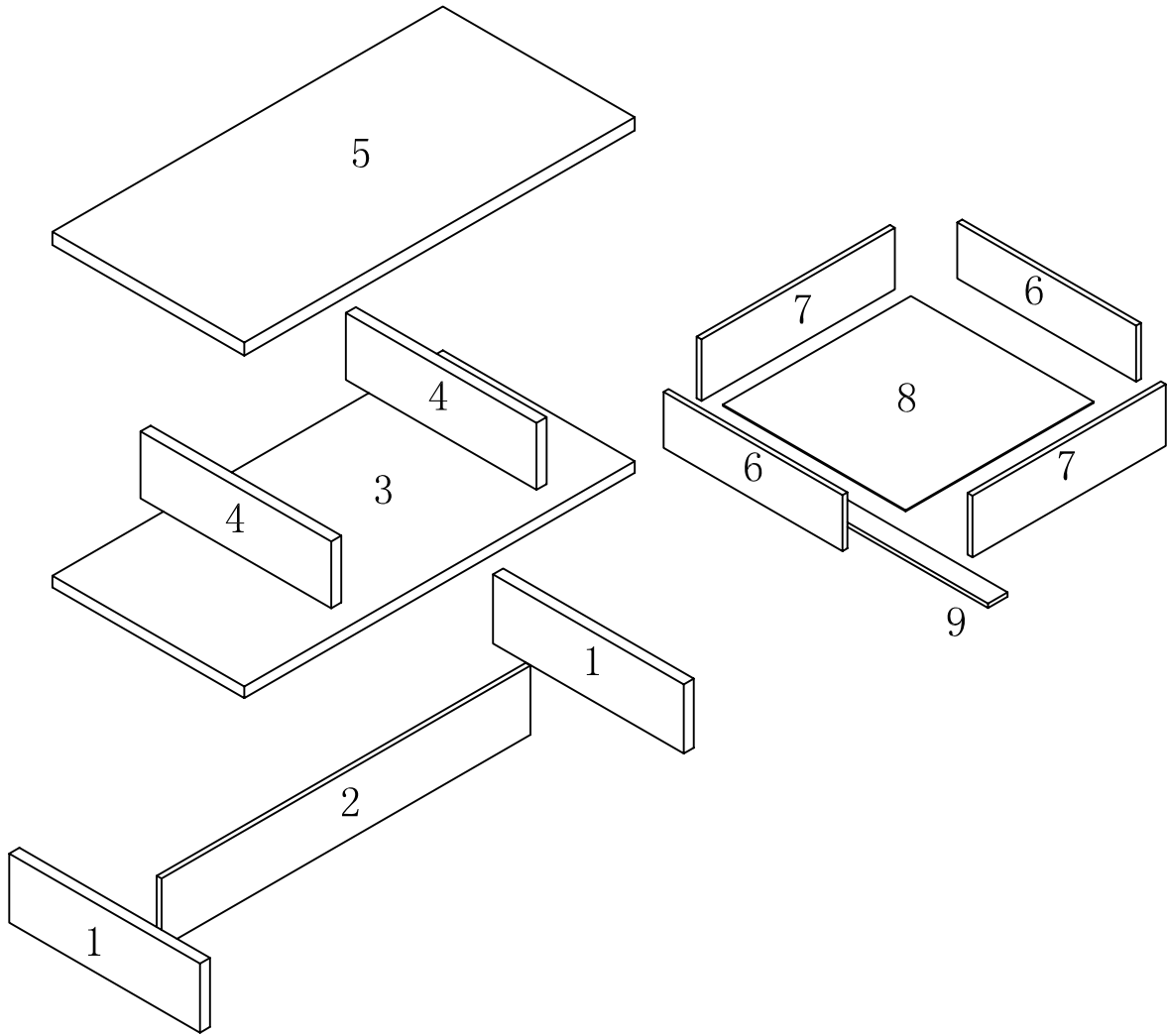
Tip #3: Read manual before assembling, it helps!

ITEM#: 28223CT



# PARTS IDENTIFICATION


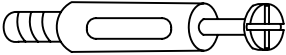



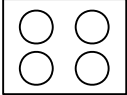

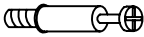
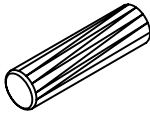
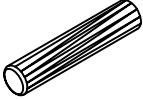

ITEM#: 28223CT



- (1) 2PCS
- (2) 1PC
- (3) 1PC
- (4) 2PCS
- (5) 1PC
- (6) 2PCS
- (7) 2PCS
- (8) 1PC
- (9) 1PC

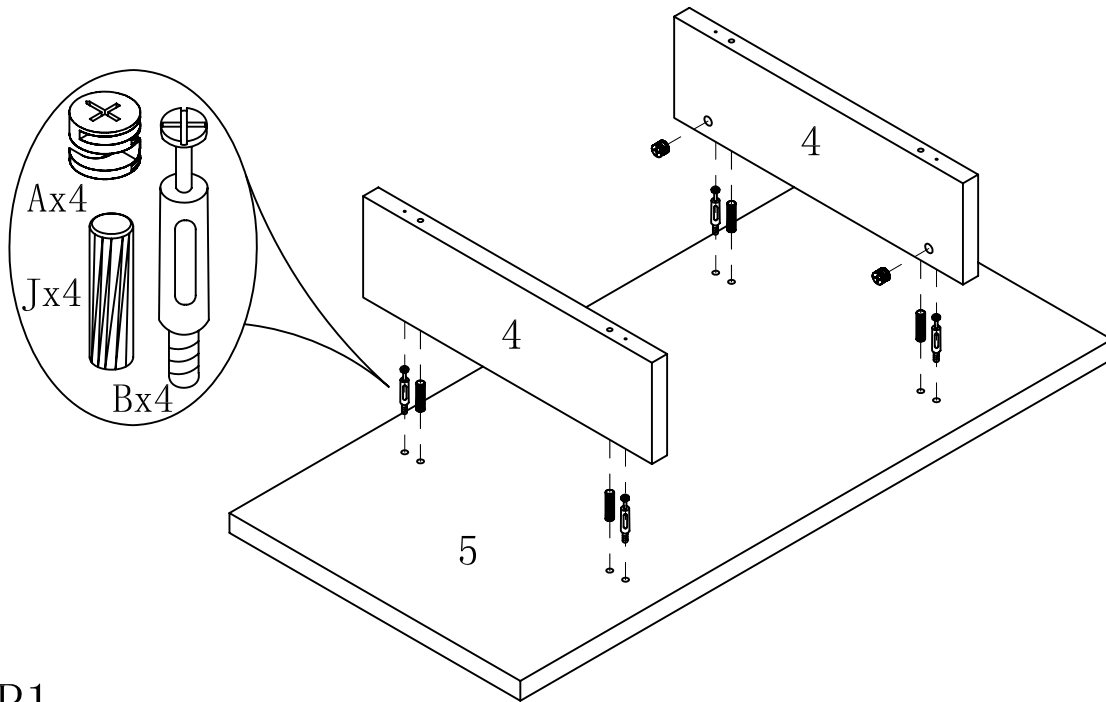
# HARDWARE IDENTIFICATION

ITEM#: 28223CT

A		ø15	11PCS
B		L29	11PCS
C		ø7x58	4PCS
D		M4x20	4PCS
E		L 256	2PCS
F		ø18	4PCS
G		ø12	8PCS
H		L20	8PCS
J		ø8x25	16PCS
K		ø6x30	4PCS
L		It's used for stick the stopper to the connecting hole firmly	1PC

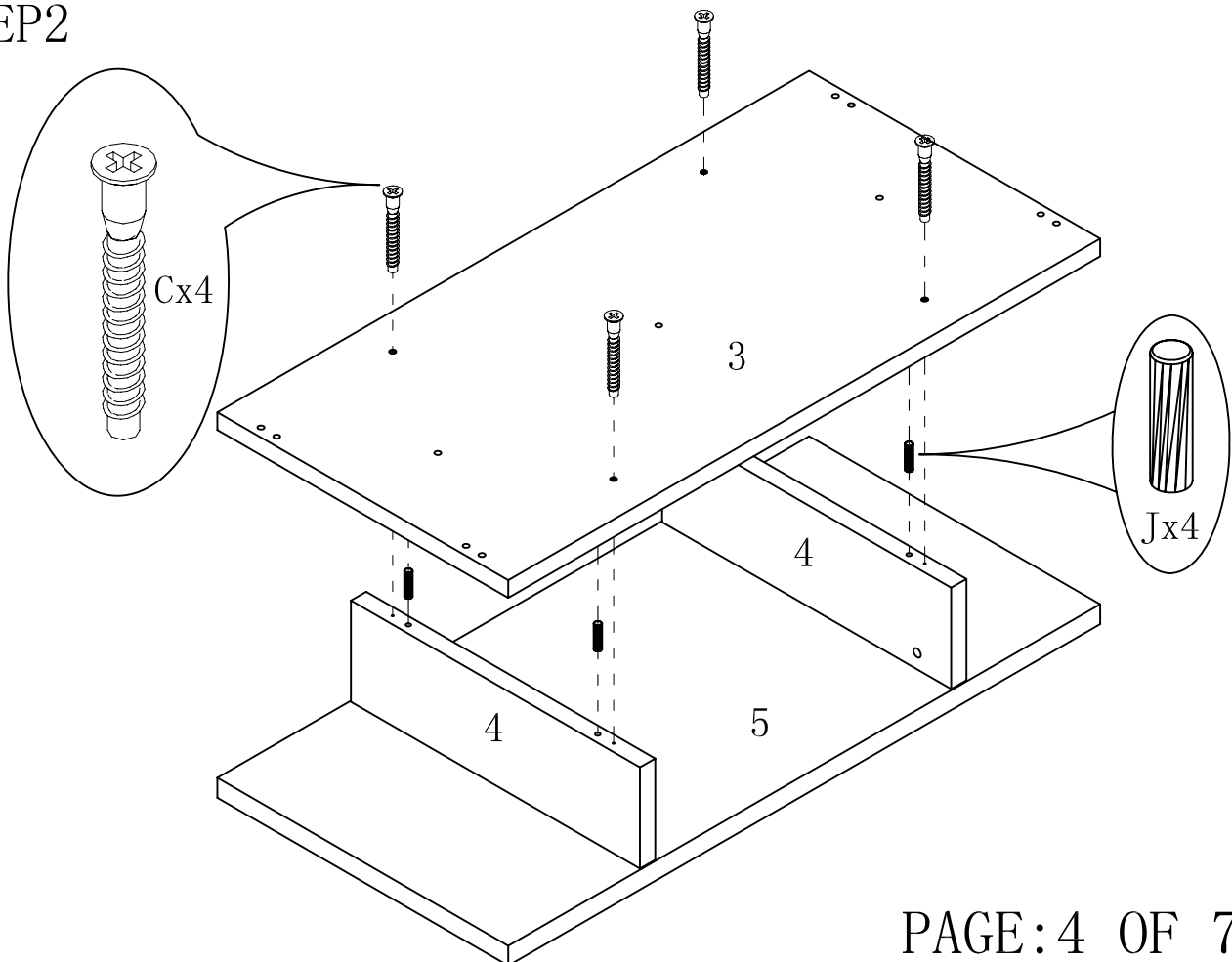
# ASSEMBLY INSTRUCTION

ITEM#: 28223CT



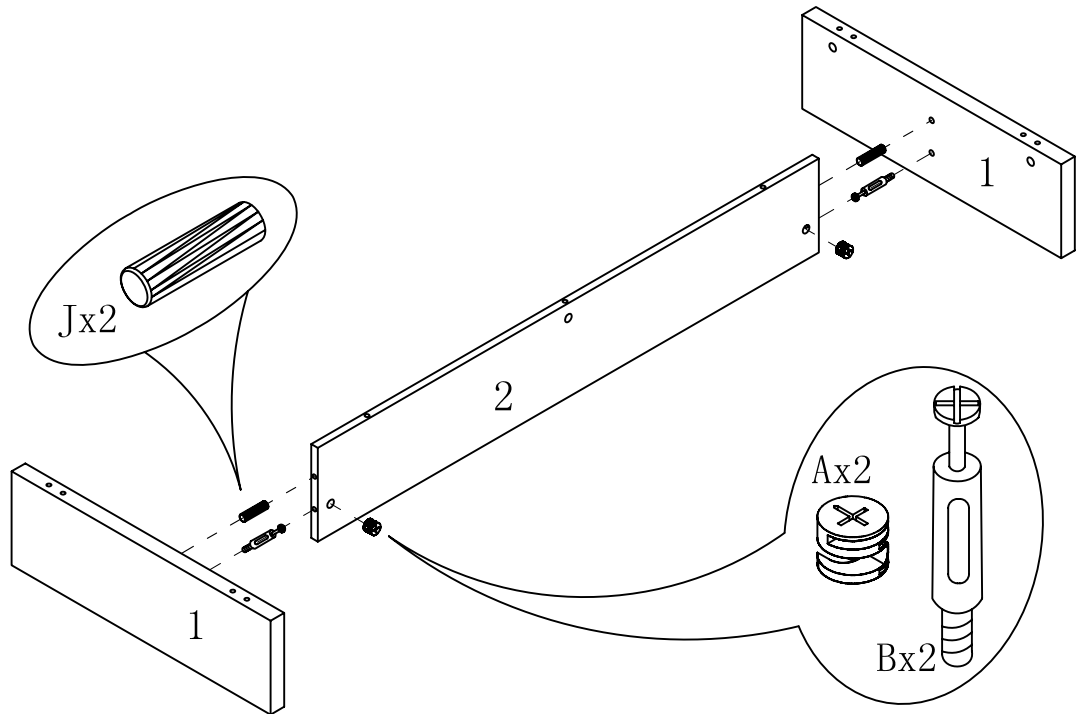
STEP 1

STEP 2



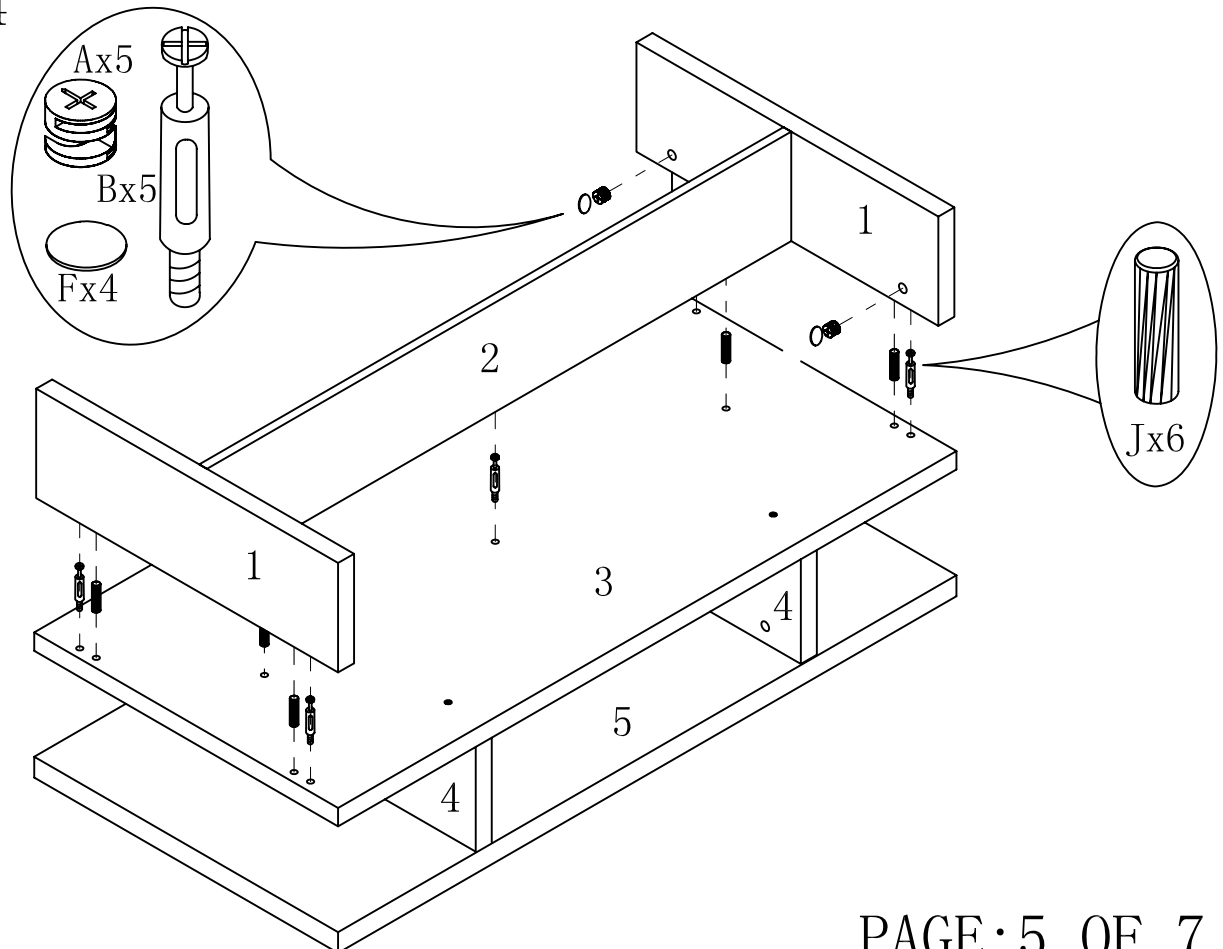
# ASSEMBLY INSTRUCTION

ITEM#: 28223CT



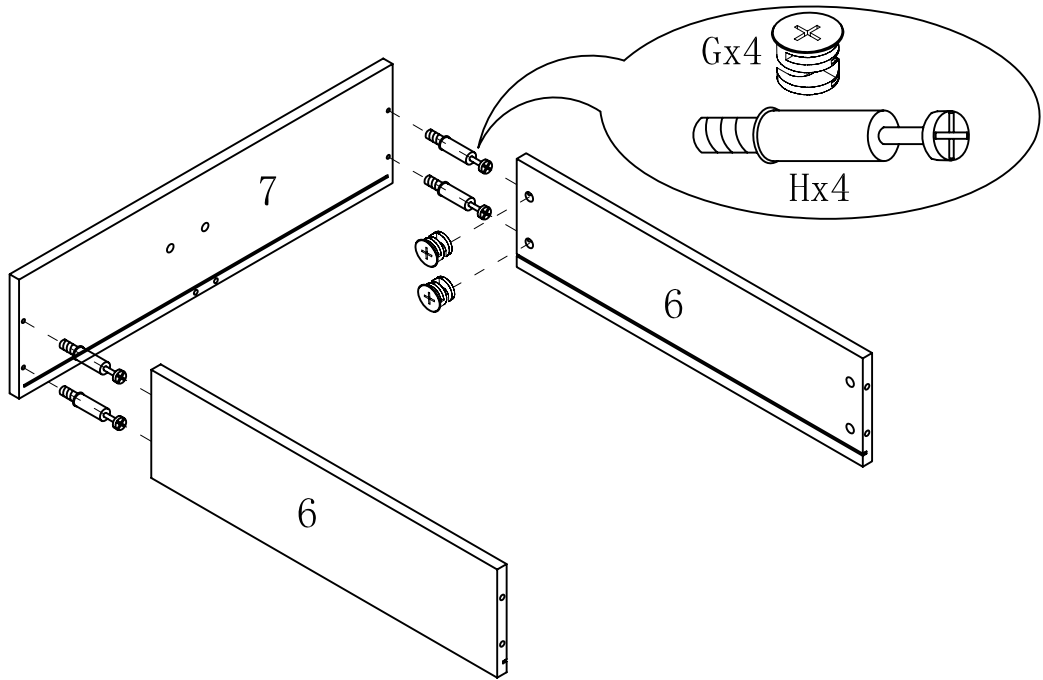
STEP3

STEP4



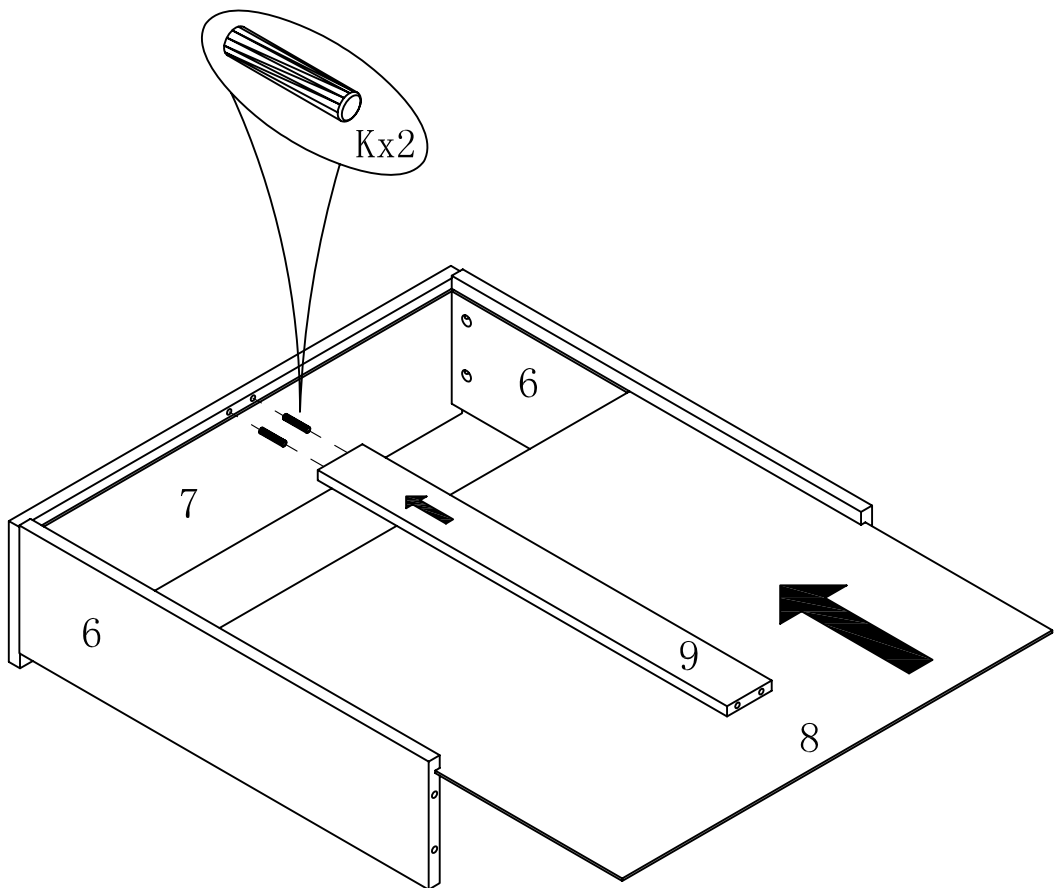
# ASSEMBLY INSTRUCTION

ITEM#: 28223CT



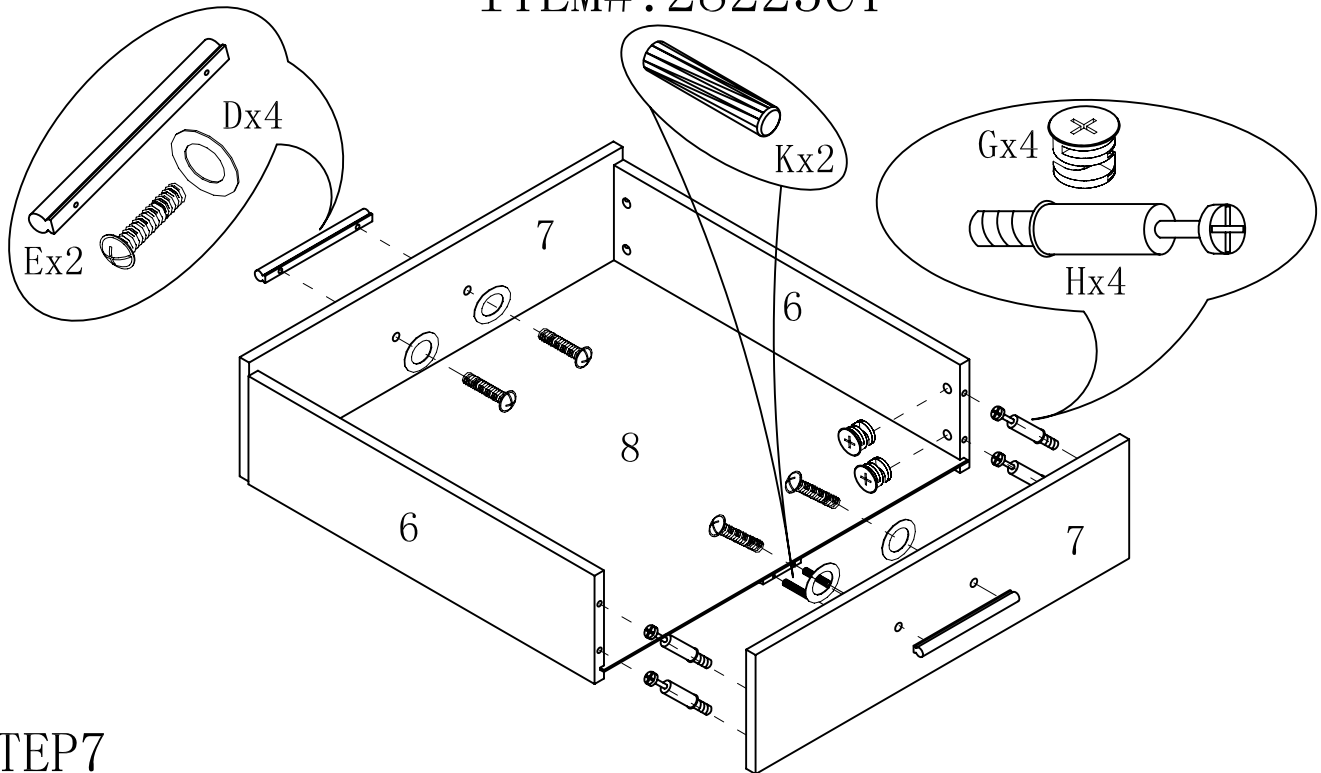
STEP5

STEP6



# ASSEMBLY INSTRUCTION

ITEM#: 28223CT



STEP 7

STEP 8

