

# ASSEMBLY INSTRUCTION

---

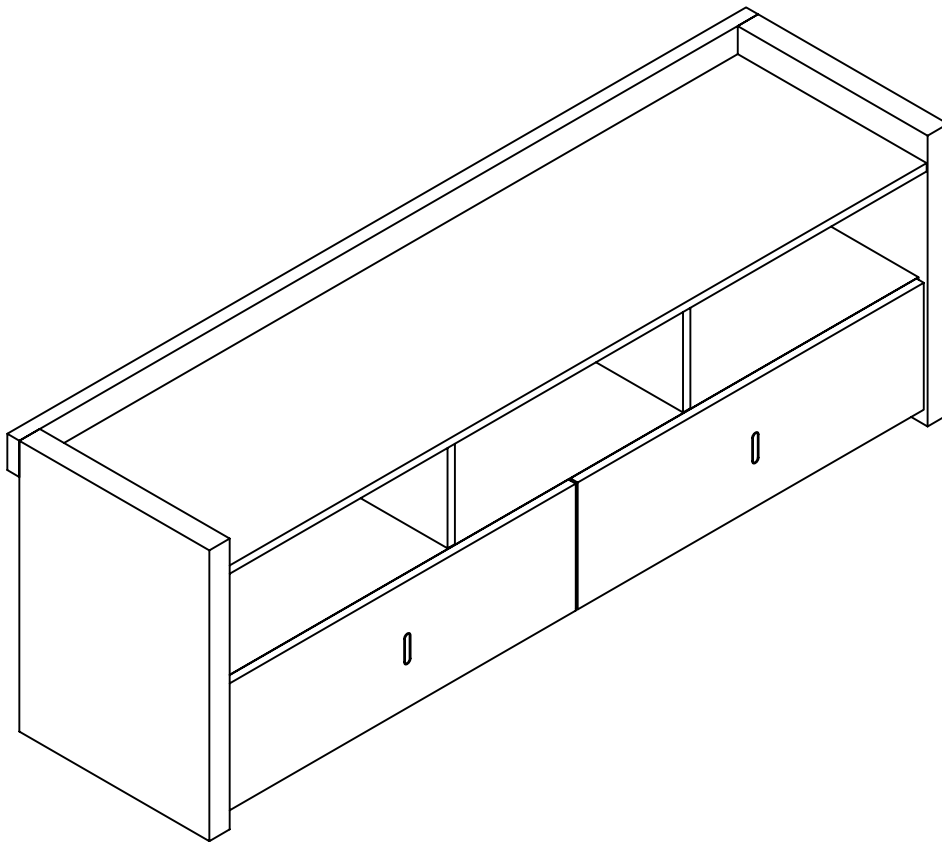
## PLEASE READ BEFORE ASSEMBLING!

Tip #1: Make sure you've taken all the pieces and hardware out of its packaging before discarding the box.

Tip #2: Using page 2 and/or page 3 of instruction manual make sure all pieces and hardware are accounted for.

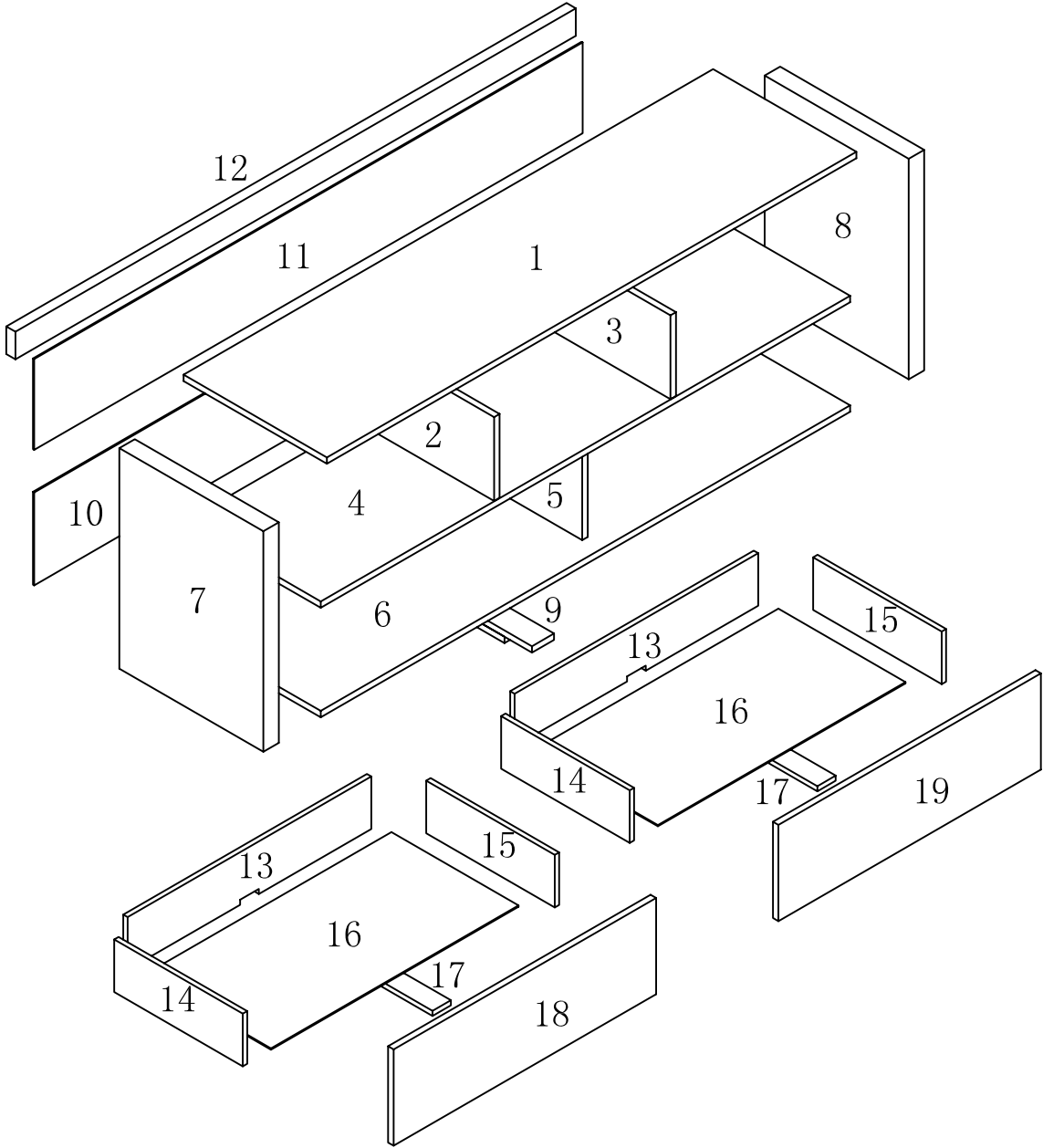
Tip #3: Read manual before assembling, it helps!

ITEM#: 29303



# PARTS IDENTIFICATION

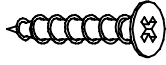
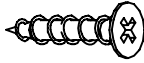
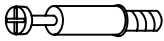


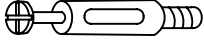


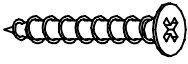
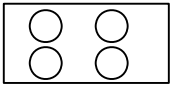

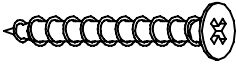

ITEM#: 29303



(1)	1pc	(7)	1pc	(13)	2pcs
(2)	1pc	(8)	1pc	(14)	2pcs
(3)	1pc	(9)	1pc	(15)	2pcs
(4)	1pc	(10)	1pc	(16)	2pcs
(5)	1pc	(11)	1pc	(17)	2pcs
(6)	1pc	(12)	1pc	(18)	1pc
				(19)	1pc

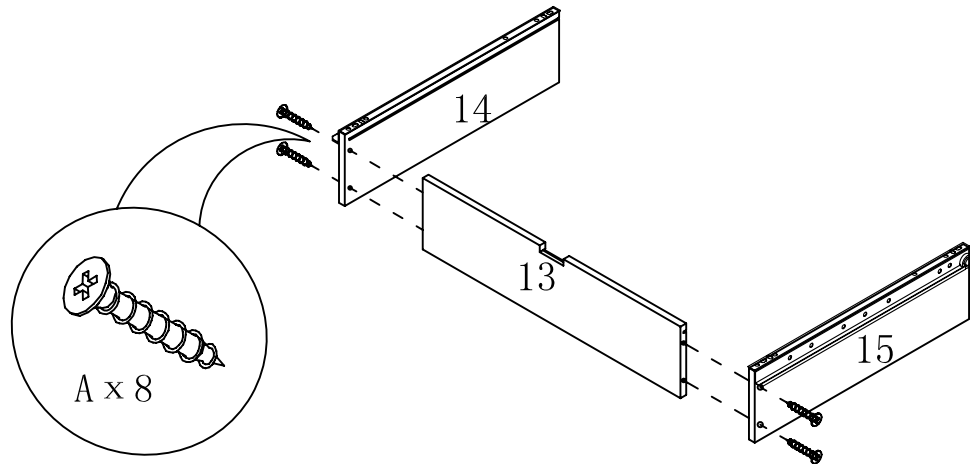
# HARDWARE IDENTIFICATION

ITEM#: 29303

A		$\phi 4 \times 30$	8pcs
B		$\phi 4 \times 25$	8pcs
C		L20	8pcs
D		$\phi 12$	8pcs
E		$\phi 6 \times 30$	4pcs
F		L29	18pcs
G		$\phi 15$	18pcs
H		$\phi 8 \times 25$	12pcs
I		$\phi 4 \times 35$	6pcs
J		$\phi 18$	4pcs
K			50pcs
L		$\phi 4 \times 40$	7pcs
M		It's used for stick the stopper to the connecting hole firmly	1pc

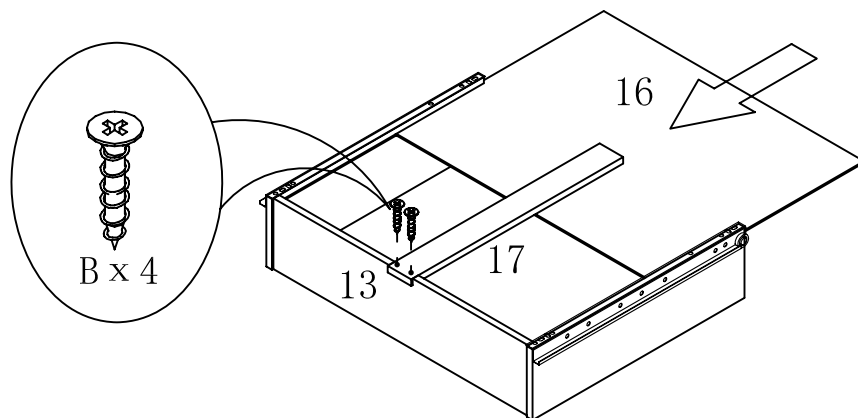
# ASSEMBLY INSTRUCTION

ITEM#: 29303

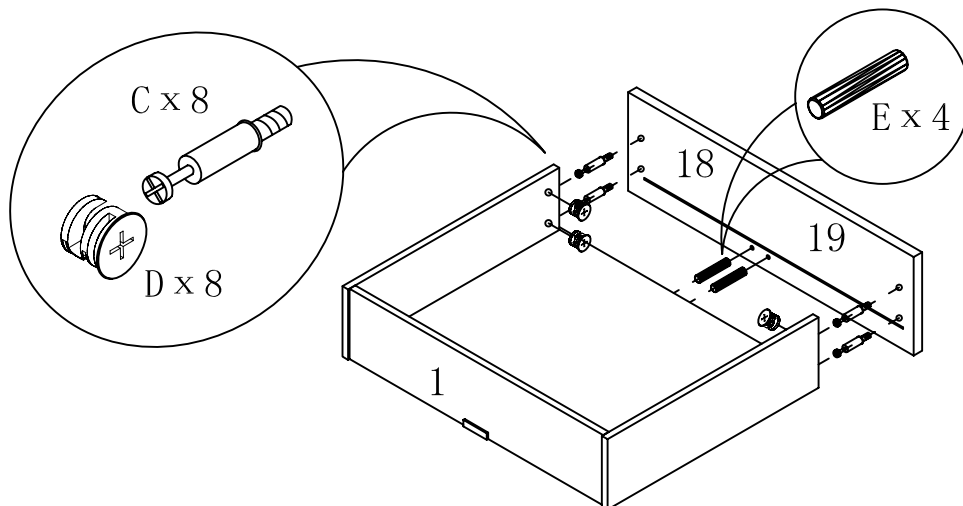


STEP 1

STEP 2

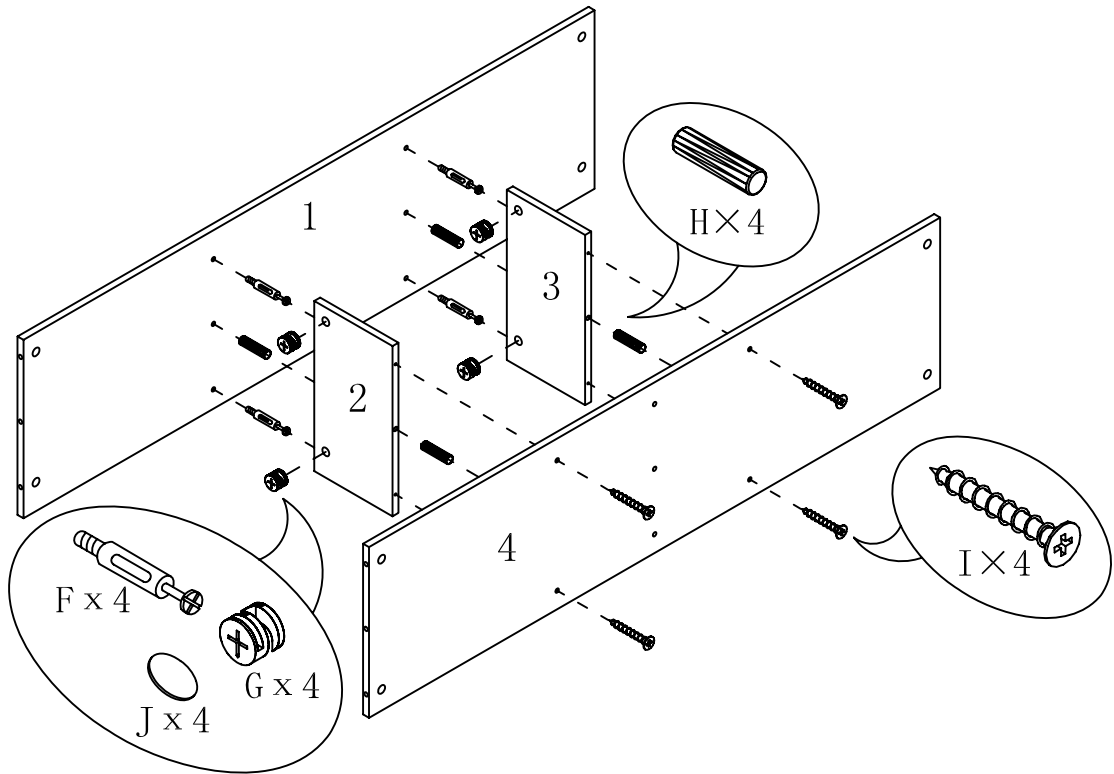


STEP 3



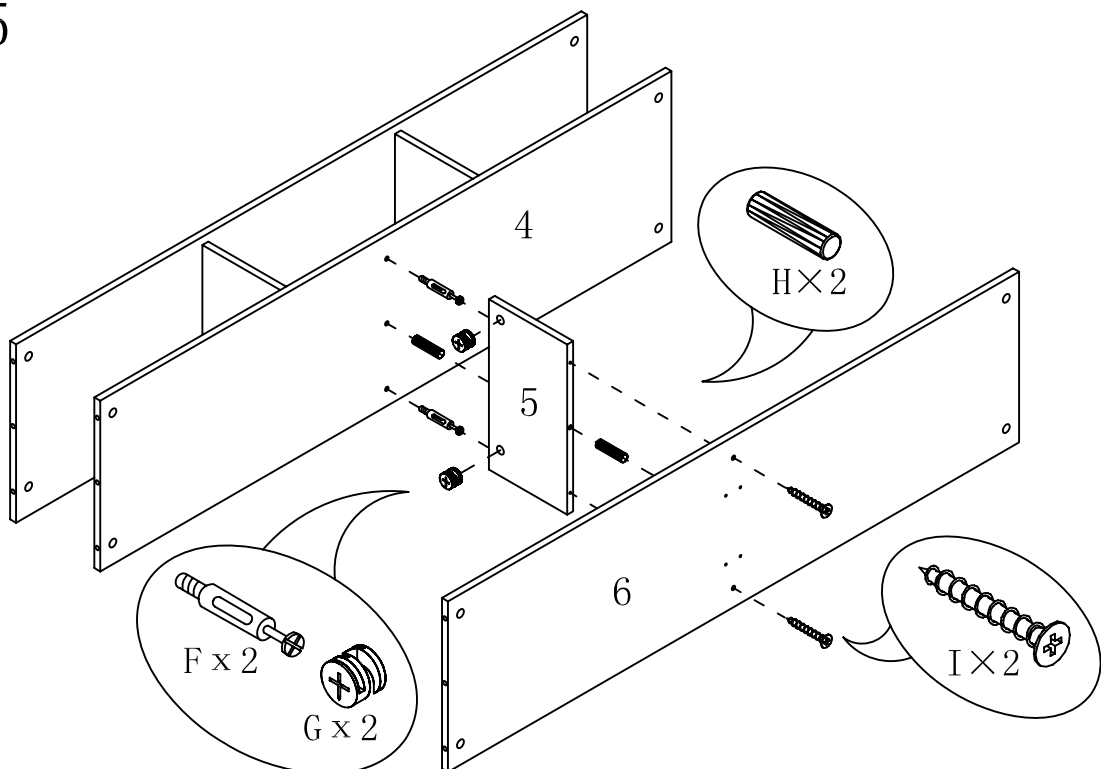
# ASSEMBLY INSTRUCTION

ITEM#: 29303



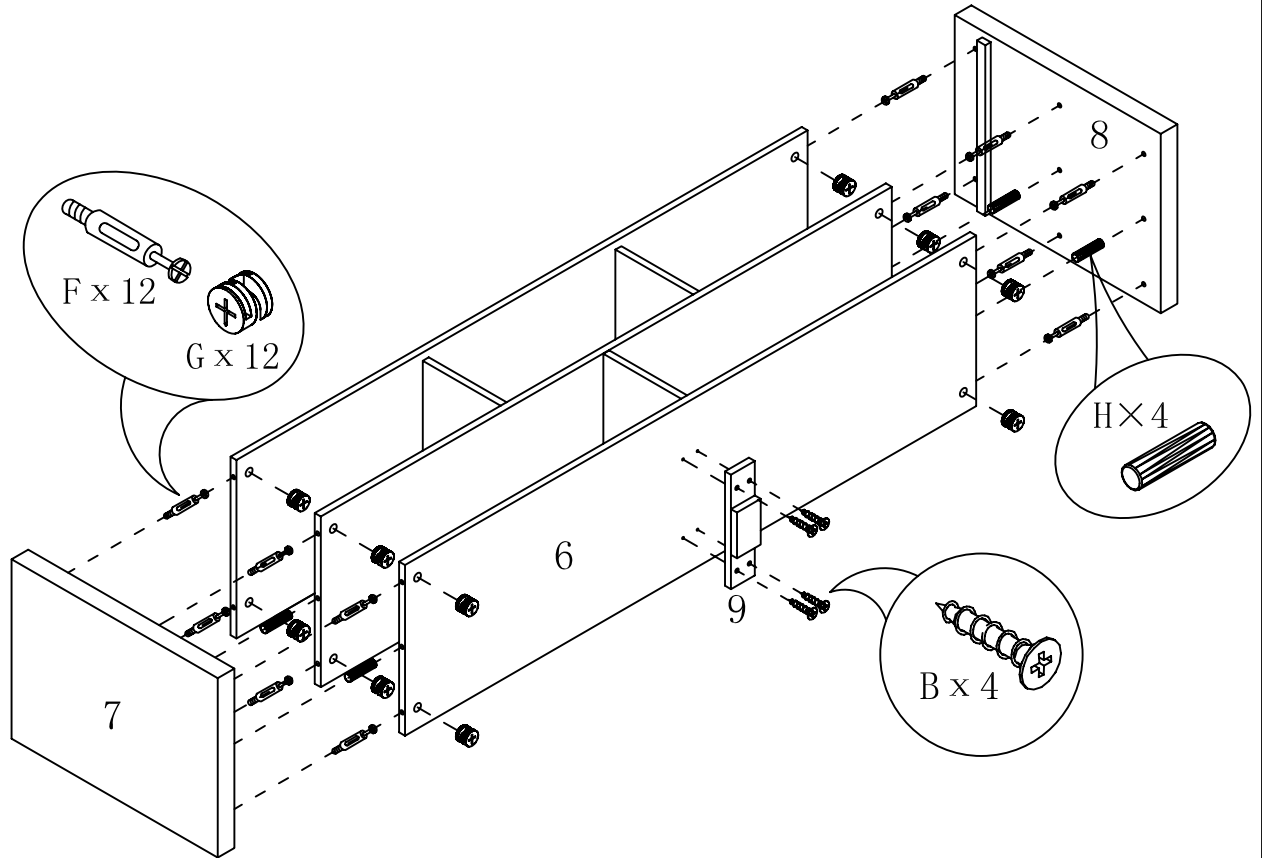
STEP4

STEP5



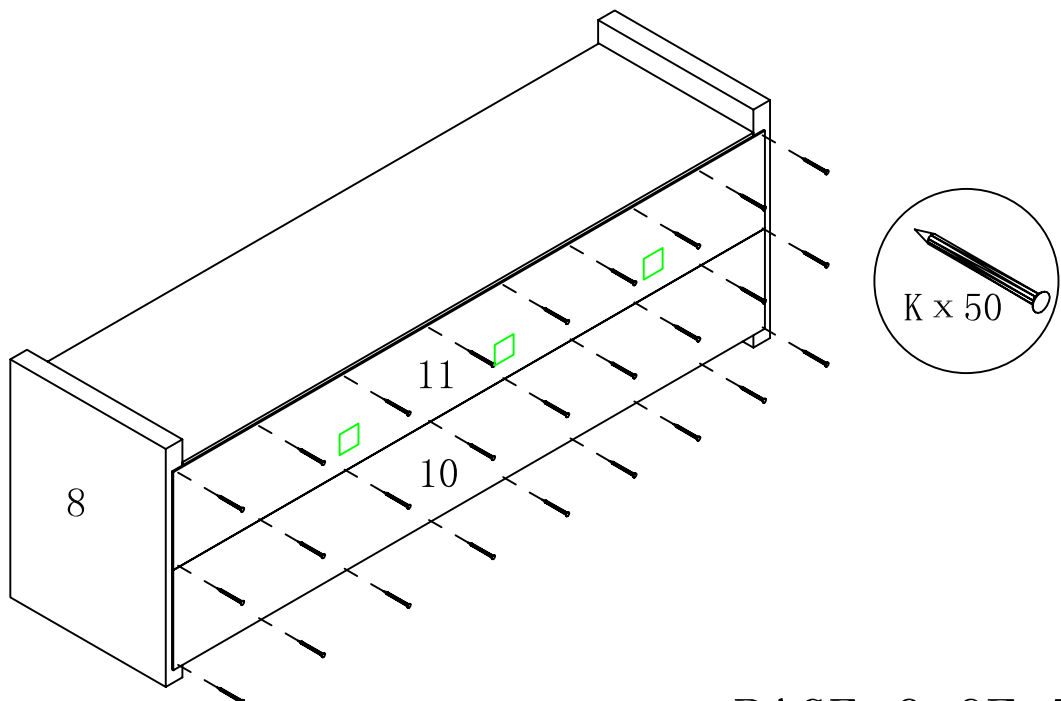
# ASSEMBLY INSTRUCTION

ITEM#: 29303



STEP 6

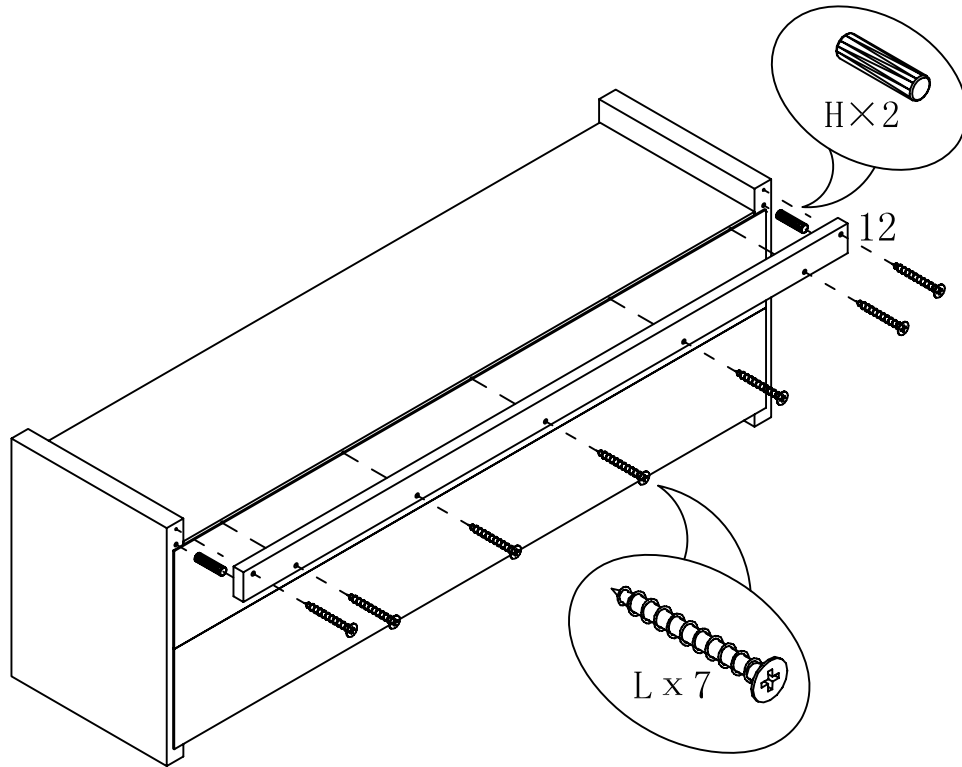
STEP 7



PAGE: 6 OF 7

# ASSEMBLY INSTRUCTION

ITEM#: 29303



STEP8

STEP9

