

SPENDO – BATH FILLER

Barcode: 5090208201007

Product Code: SPO003

Finishes: Chrome

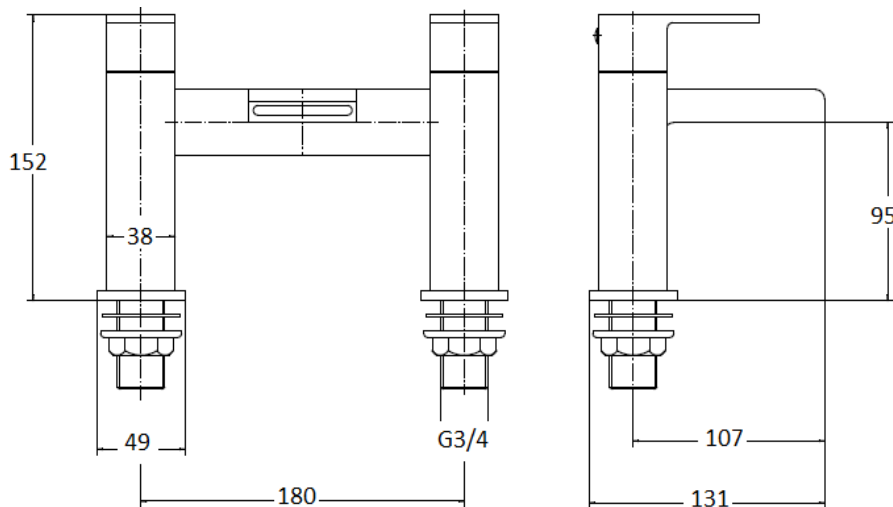
Product Type: Bath Filler

Water Pressure: MP – 0.5 bar Pressure Minimum

Standards: BS EN 200

Weights: 2.75KG

Notes: Supplied with Fittings


Technical Drawing

Flow Rate

0.1 BAR L.P 1	9.5 L/M
0.2 BAR L.P 2	11.2 L/M
0.5 BAR M.P	13 L/M
1.0 BAR H.P 1	14 L/M
2.0 BAR H.P 2	26 L/M
3.0 BAR H.P 3	32 L/M

Packaging Details

CODE:	Description	INDIVIDUAL BOX SIZES (CM)	WEIGHTS (KG)	PRODUCTS PER CARTON	CARTON SIZE	CARTON WEIGHT COMPLETE
SPO003	Spendo Bath Filler	25*15.5*21	2.75	6	48.5*26*44.5	17.5