

SPENDO – BATH SHOWER MIXER

Barcode: 5090208101000

Product Code: SPO002

Finishes: Chrome

Product Type: Bath Shower Mixer

Water Pressure: MP – 0.5 bar Pressure Minimum

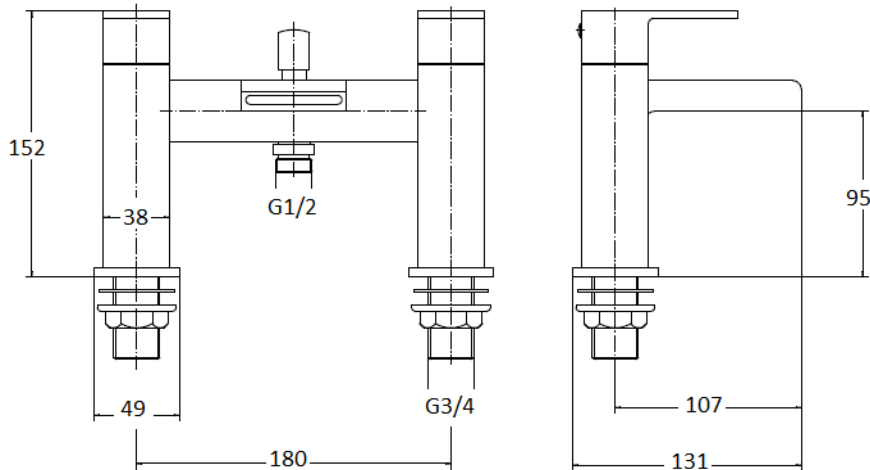
Standards: BS EN 200

Weights: 3.255KG

Notes: Supplied with Bracket, Handset and Shower Hose



Technical Drawing



Flow Rate

0.1 BAR L.P 1	9.5 L/M
0.2 BAR L.P 2	11 L/M
0.5 BAR M.P	13.5 L/M
1.0 BAR H.P 1	14.2 L/M
2.0 BAR H.P 2	25 L/M
3.0 BAR H.P 3	31 L/M

Packaging Details

CODE:	Description	INDIVIDUAL BOX SIZES (CM)	WEIGHTS (KG)	PRODUCTS PER CARTON	CARTON SIZE	CARTON WEIGHT COMPLETE
SPO002	Spendo Bath Shower Mixer	25*15.5*21	3.255	6	48.5*26*44.5	21