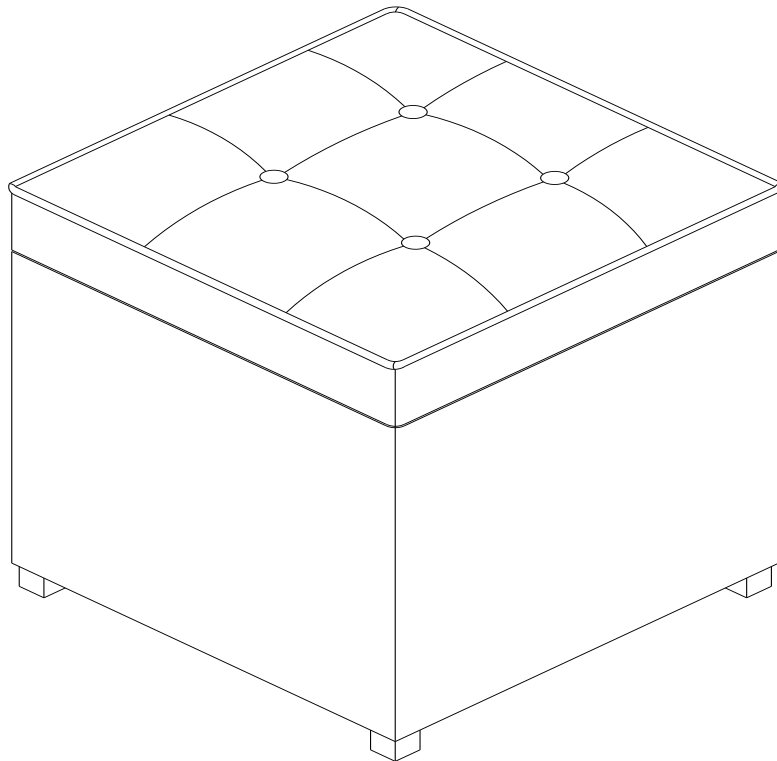




Product Instructions for:

## **CH-OT79RED Storage Ottoman**



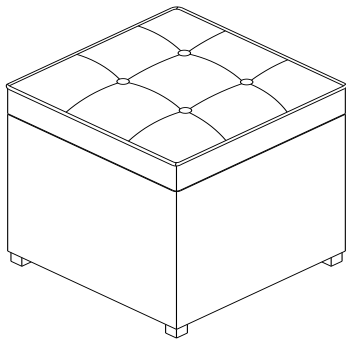
For assistance with assembly or questions contact:  
Wayfair Customer Service, 877-WAYFAIR (877-929-3247) | [www.wayfair.com](http://www.wayfair.com)

# CH-OT79RED STORAGE OTTOMAN

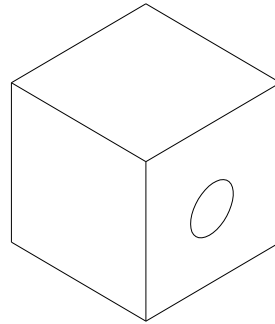
Before beginning assembly, separate all parts and carefully study the parts diagrams below. Review all parts and hardware before disposing of any packaging. You may receive extra hardware with your unit. Call Customer Service for missing hardware. Please see care and cleaning label attached to bottom of Ottoman.

## Parts List

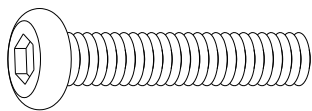
A: Body Of The Ottoman (1)



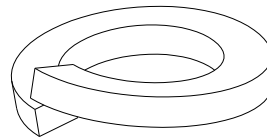
B: Leg (4)



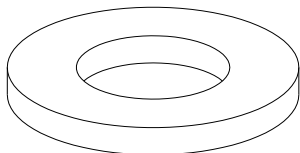
C :Bolt: 5/16" \* 2"L (4)



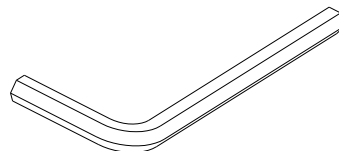
D : Spring Washer (4)



E : Flat Washer (4)



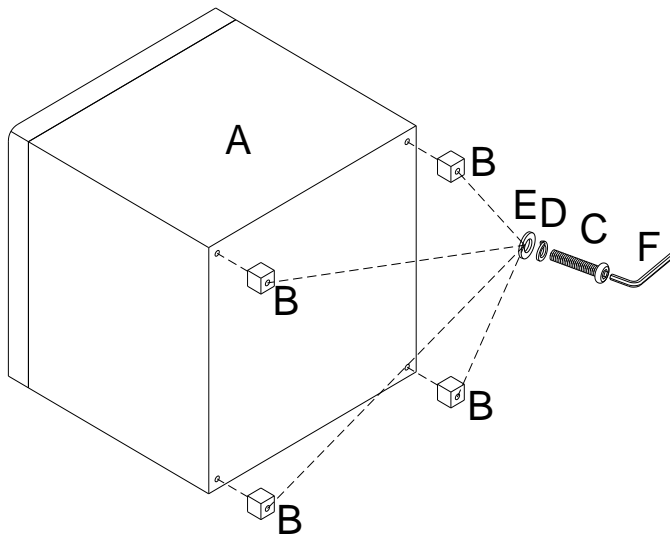
F: Allen Wrench (1)



For assistance with assembly or questions contact:  
Wayfair Customer Service, 877-WAYFAIR (877-929-3247) | [www.wayfair.com](http://www.wayfair.com)

# CH-OT79RED STORAGE OTTOMAN

## Assembly Instructions

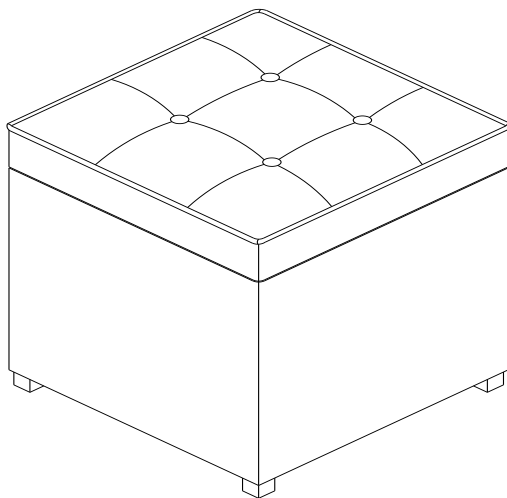


**Figure 1**

Unpack and lay parts on clean, padded surface like carpet or blanket. Check that you have all parts indicated on the front page.

### Step 1

Insert Bolts (C) through Spring Washers (D) and Flat Washers (E) to connect Legs (B) to the Body Of The Bench (A) using pre-drilled holes, then tighten Bolts (C) with Allen Wrench (F).



**Figure 2**

### Step 2

Turn over the ottoman.

Now your new ottoman is ready to use!