



Manual Pull-Down Screen  
*Elite Manual Series*

USER'S GUIDE



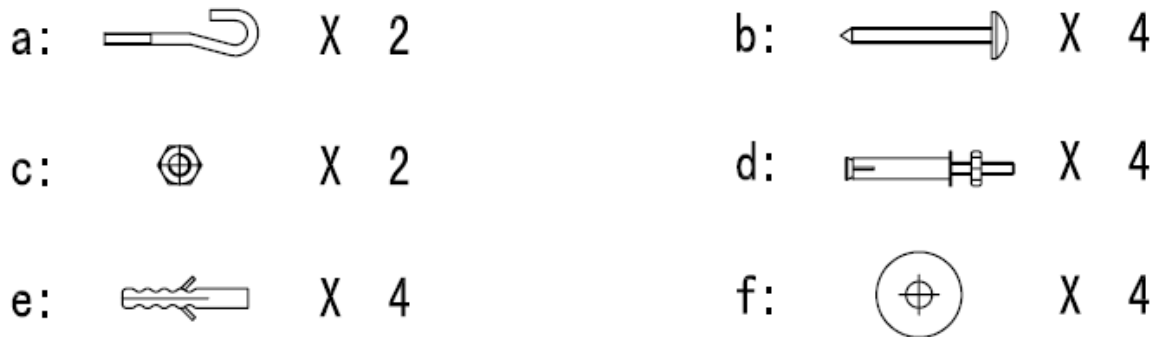
Rev. 1.3



**MATTE WHITE**  
**Pre-installation**

1. Carefully unpack the screen
2. Always handle the screen on a clean and level surface.

OPTIONAL ACCESSORIES: L-Brackets and Mounting Screws.



**a:** Vertical hooks suspend the screen from the L-bracket wall mounts” They are secured in place with a nut. (c)

**b:** Wall-screw secures the L- bracket to either drywall or wall-studs.

**c:** Nut secures the end of the vertical hook (a) and holds it into place.

**d:** D-bolts allow the option to mount the L-bracket to concrete walls. These are to be used in lieu of the wall-screw when mounting on concrete surfaces or hanging up larger screens greater than or equal to 3.05m (120”) in diagonal screen width.

**e:** Hollow wall (or drywall) anchors receive the wall-screw (b) when mounting the L-bracket directly to drywall only.

**f:** Washers are used between the L-bracket and the head of the wood-screw (b) or D-bolt (d) to spread out the weight on the L-bracket and provide additional stability

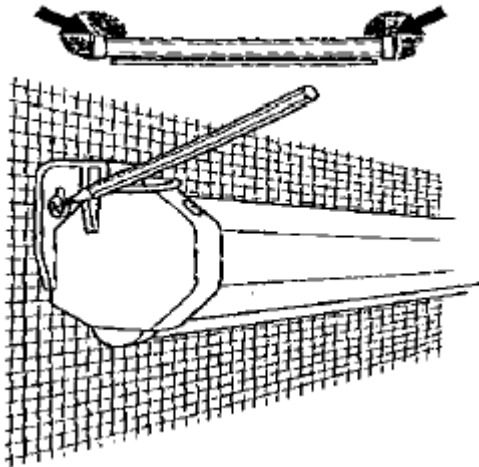
**Warning:** The L-brackets, and mounting screws are an optional accessory. Models may vary and anchors will not support all models. Elite will not be liable for improper installation. Please visit your local hardware store for additional dry wall anchors.



## Installation

### Flush Wall Mounting

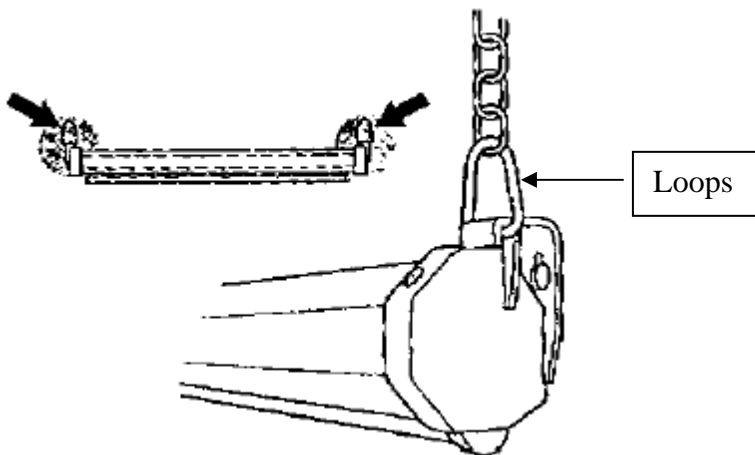
1. Using a tape measure, mark the keyholes that are located at the back of the screen's case end cap. 2. After marking the area and predrilled hole, insert the screw and leave the screw's head out about 4mm (1/8") from the wall to mount the screen on. (**Fig. 1**)



**Fig. 1**

### Ceiling Mounted (additional hardware required)

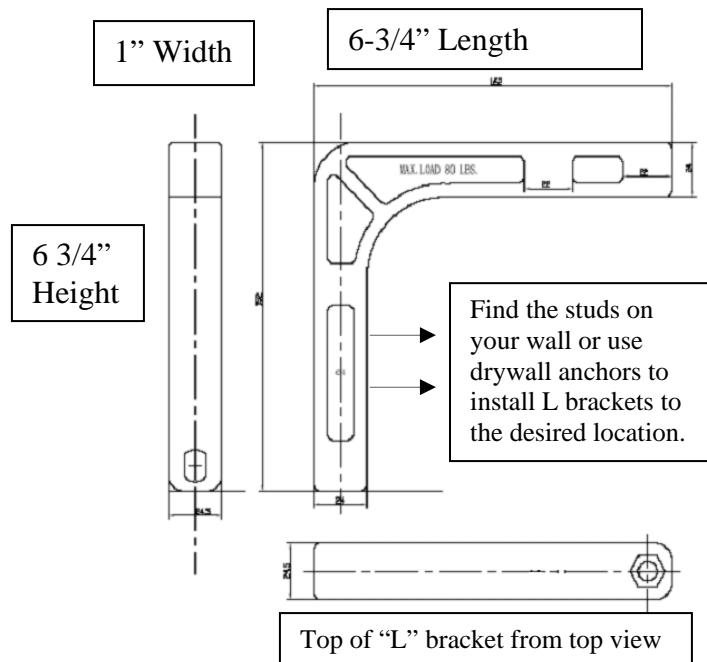
Optional installation using a chain to hang the screen from the ceiling.



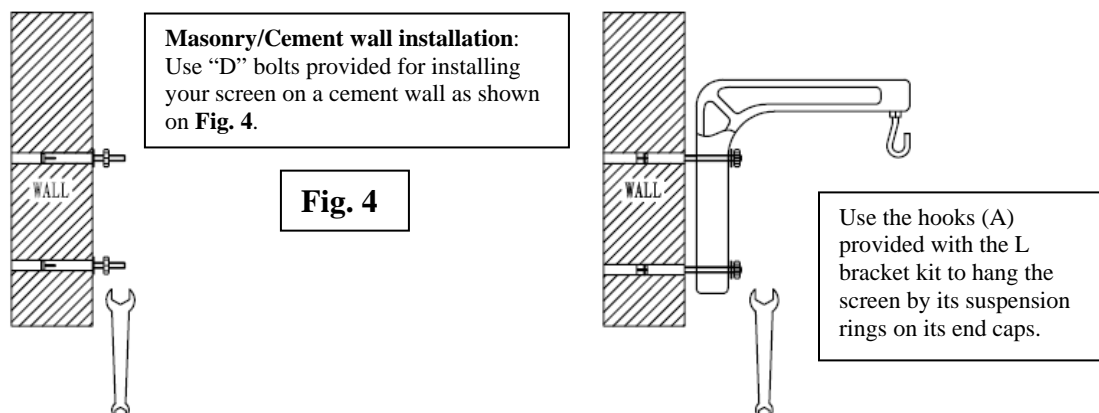
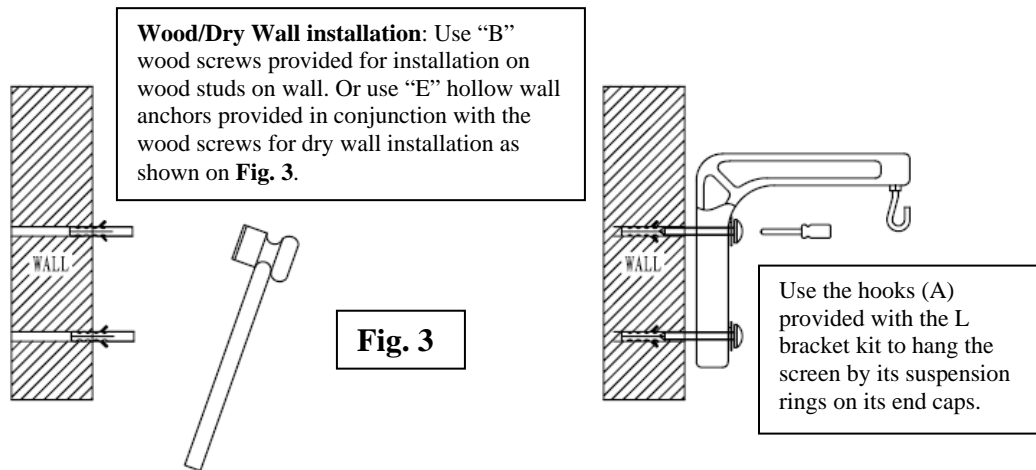
**Fig. 2**

2. You can also hang the screen on a ceiling by using a chain with s-hooks (not included) through the two loops located on each end of the case as shown on (**Fig. 2**).

## Optional "L" Bracket diagram



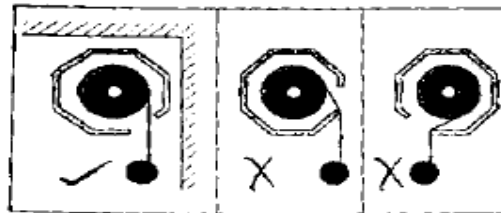
## "L" Bracket accessories





## SCREEN OPERATION

*Note: Always pull the screen down or let it up in either a steep incline or a 90-degree vertical angle. Do not allow the screen to touch the screen case when the screen goes up or comes down to avoid damaging the screen material.*

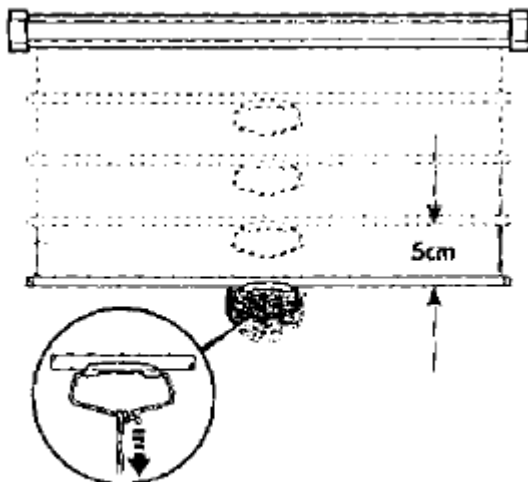


**Fig. 5**

1. Pull the screen down with the lanyard or by the handle at either a sharp incline or in a 90-degree angle. Do not attempt to pull the screen down by its material or touch the screen, as it will cause damage and likely void the warranty. **(Fig. 5)**

*Note: An internal auto-lock mechanism system will cause the screen to stop and lock on the desired position at intervals.*

2. If you want the screen to retract back, simply pull the screen down more than 5cm (2") and retract the screen back by guiding the retracting material in a swift but gentle motion. **(Fig. 6)** (It is ideal to release at a 90-degree angle and do not let go until the screen is entirely inside the case)



**Fig. 6**

*Note: Improperly bringing the screen up/down will damage the screen material or rolling system.*



## **Maintenance**

Clean matte white screen material with a soft cloth and mild soap with water. When not in use, retract screen in its housing to keep the surface clean.

## **NOTE:**

Regardless of mounting method, the screen should be securely supported so that vibration or even abusive pulling on the viewing surface will not cause the case to work loose or fall. The installer must insure that the fasteners used are of adequate strength and suitable for the mounting surface chosen.

## ***Warranty Policy - Manual, Tripod, Pull-up Floor, and Fixed Frame Screens***

\*Warranty policy applies to claims made in the United States of America. Warranty issues outside of the US must go through their international distributor.

- **Two (2) year warranty parts and labor from purchase date as follows (except for refurbished units as specified below):**
- **Refurbished units carry a 90-day parts and labor warranty.**
- **Demo units or open box items are AS IS items and do not carry a warranty.**
- **Elite Screens will cover ground shipping charges on warranty claims made within 7 days of receiving per our DOA (Defective On Arrival) policy**
- **Each party will be responsible for one way shipping during the regular warranty period if the claim is made after the 7 day DOA period.**
- **An RMA (Return Merchandise Authorization) number must be issued in order to process a replacement. Elite Screens will either replace or repair the defective unit with a brand new replacement \*(see exceptions below) after the defective unit is received and/or confirmed defective. Once the product is received, Elite Screens will send out a new \*unit to the customer by ground service (subject to inventory availability).**
- **Missing Parts must be reported within the 7-days of receipt. If reported after 7 days, customer will only be responsible for shipping and handling fees. If reported after 30 days of receipt, the customer is responsible for cost of the parts and shipping & handling fees.**

## **Please visit the link below for full warranty information**

<http://www.elitescreens.com/service.htm>

\*A new or refurbished replacement will be sent out to the customer depending on the type of purchase (new or refurbished) and is based on stock availability.



**TWO WAY TO REGISTER YOUR WARRANTY WITH ELITE SCREENS INC.**

**A. On Line (Faster and Easier) [www.elitescreens.com/register.html](http://www.elitescreens.com/register.html)**

**B. Fill out & Fax to (562) 483-8498, Attn: Customer Service Dept.**

**\*Your Name:** \_\_\_\_\_

**Address:** \_\_\_\_\_

**City/State/Zip** \_\_\_\_\_

**\*Email Address:** \_\_\_\_\_

**\*Phone:** \_\_\_\_\_

**\*Screen Model:** \_\_\_\_\_

**\*Serial Number:** \_\_\_\_\_

**\*Date of Purchase:** \_\_\_\_\_

**\*Dealer / Reseller Purchased from (name of the reseller):** \_\_\_\_\_

**What is your Projector Model :** \_\_\_\_\_

**Application:** \_\_\_ Home \_\_\_ Education \_\_\_ Corporation \_\_\_ Government  
\_\_\_ Others

**How would you rate this screen?** \_\_\_ Excellent \_\_\_ Good \_\_\_ Ok \_\_\_ Improvement needed

**Comments:** \_\_\_\_\_

\_\_\_\_\_

\_\_\_\_\_

\_\_\_\_\_

Contact info:

If you have pictures of your screen you'd like to share with us, please email your pictures to [eliteinfo@elitescreens.com](mailto:eliteinfo@elitescreens.com)  
or call us at 877-511-1211

*Elite*SCREENS

[www.elitescreens.com](http://www.elitescreens.com)

For any technical inquiries,

[techsupport@elitescreens.com](mailto:techsupport@elitescreens.com)