

Elite SCREENS

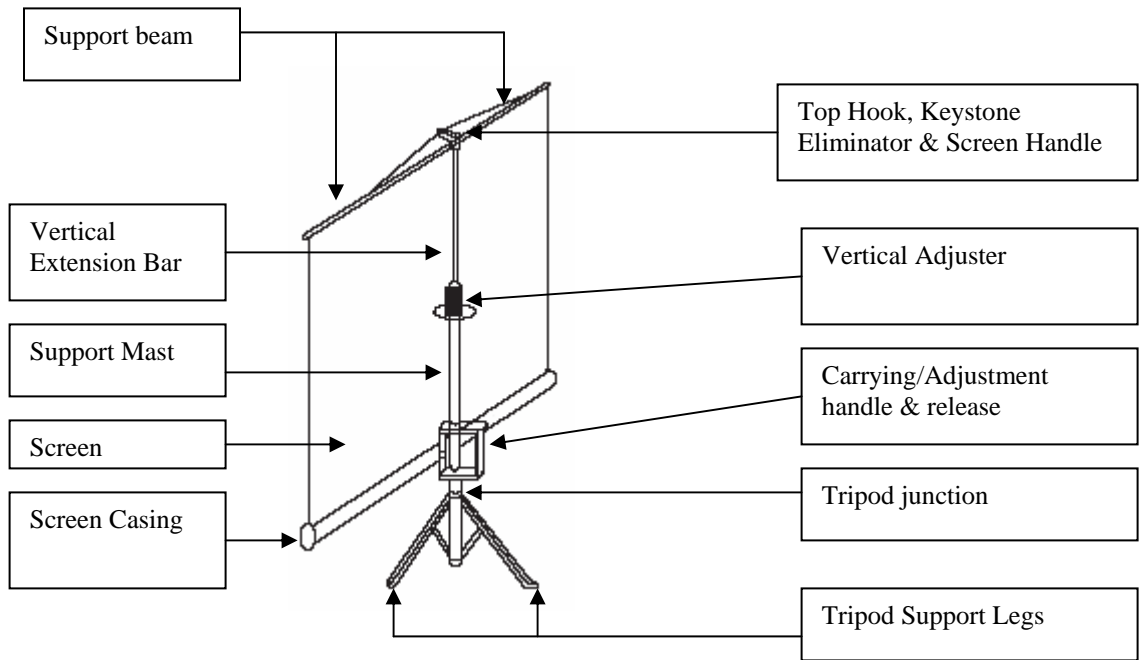
Tripod-Portable Screen

Elite Tripod Series

USER'S GUIDE



Tripod Screen Parts Identification



Tripod Screen deployed



Tripod Screen packed up for transport or storage

Using the Screen

Follow the steps illustrated on (Fig. 1)

1. Place the screen in an upright position with the legs toward the ground.
2. Deploy the Tripod Support legs by pushing down on the Tripod Junction.
3. Turn the screen casing in a 90-degree horizontal position so that the screen casing is now parallel to the ground with the screen handle facing the bottom of the top hook.

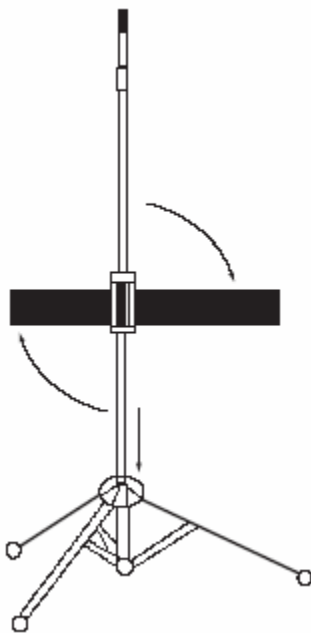


Fig. 1

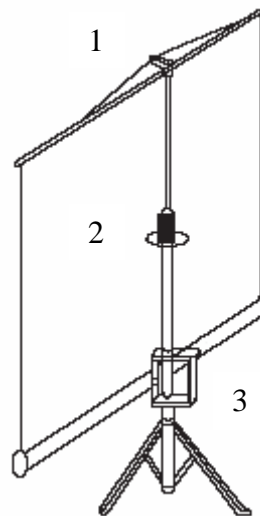


Fig. 2

Follow the steps illustrated on (Fig. 2)

1. Pull the screen handle up vertically and hook the screen handle onto the Top Hook. **Note Use the Keystone Eliminator to prevent “Keystone Effect” from occurring. Keystone Effect is caused when a projector presents its image at an upward angle causing a trapezoid-shaped image to appear on the screen. The Keystone Eliminator is designed to stop that by sloping the screen forward and evening out the light image from the projector.*

2. Use the Vertical Adjuster to position the appropriate height of the Vertical Extension Bar **Note: Different tripod models have different vertical Adjusters. It could be a release button that loosens when depressed or it will be circular knob that will loosen or tighten by twisting it in a clockwise & counter-clockwise rotation.*
3. After using the Vertical Adjuster to (raise/lower) the Vertical Extension Bar and set the screen height at the top, Use the adjuster switch on the Carrying Handle to establish the level of the screen's bottom elevation. You can repeat steps 2-3-4 to adjust various top levels of screen height. Repeat 3&4 to adjust the bottom level screen height.

When Packing Up the Tripod Screen:

1. Reverse the steps above to pack up the screen and put away.
2. Hold the extension bar and use another hand to release the Vertical Adjuster. **Note:It is very important to remember to hold the extension and then unlock, or it will cause damage to the screen.*
3. Turn the screen in a vertical position as reversed to that shown in Fig. 1.
4. (See Fig. 3) Bring down and tighten the vertical extension bar making sure that the spur on the bottom of the top hook connects with the hole in the end cap.
5. Lastly tighten the vertical adjuster.



Notes:

1. *To ensure the screen is stable, extend the tripod's legs as much as possible.*
2. *Do not fold the screen or allow any sharp objects to touch the screen's surface.*
3. *Clean the screen surface often when needed.*
4. *Careful use will extend the lifetime of this product.*

Fig. 3

Warranty Policy - Manual, Tripod, Pull-up Floor, and Fixed Frame Screens

**Warranty policy applies to claims made in the United States of America. Warranty issues outside of the US must go through their international distributor.*

- **Two (2) year warranty parts and labor from purchase date as follows (except for refurbished units as specified below):**
- **Refurbished units carry a 90-day parts and labor warranty.**
- **Demo units or open box items are AS IS items and do not carry a warranty.**
- **Elite Screens will cover ground shipping charges on warranty claims made within 7 days of receiving per our DOA (Defective On Arrival) policy**
- **Each party will be responsible for one way shipping during the regular warranty period if the claim is made after the 7 day DOA period.**
- **An RMA (Return Merchandise Authorization) number must be issued in order to process a replacement. Elite Screens will either replace or repair the defective unit with a brand new replacement *(see exceptions below) after the defective unit is received and/or confirmed defective. Once the product is received, Elite Screens will send out a new *unit to the customer by ground service (subject to inventory availability).**
- **Missing Parts must be reported within the 7-days of receipt. If reported after 7 days, customer will only be responsible for shipping and handling fees. If reported after 30 days of receipt, the customer is responsible for cost of the parts and shipping & handling fees.**

Please visit the link below for full warranty information

<http://www.elitescreens.com/services.html>

or call us at 877-511-1211

*A new or refurbished replacement will be sent out to the customer depending on the type of purchase (new or refurbished) and is based on stock availability.

TWO WAY TO REGISTER YOUR WARRANTY WITH ELITE SCREENS INC.

A. On Line (Faster and Easier) www.elitescreens.com/register.html

B. Fill out & Fax to (562) 483-8498, Attn: Customer Service Dept.

***Your Name:** _____

Address: _____

City/State/Zip _____

***Email Address:** _____

***Phone:** _____

***Screen Model:** _____

***Serial Number:** _____

***Date of Purchase:** _____

***Dealer / Reseller Purchased from (name of the reseller):** _____

What is your Projector Model : _____

Application: Home Education Corporation Government
 Others

How would you rate this screen? Excellent Good Ok Improvement
needed

Comments: _____

If you have pictures of your screen you'd like to share with us, please email your pictures to eliteinfo@elitescreens.com or call us at 877-511-1211

*Elite*SCREENS

www.elitescreens.com

For any technical inquiries,

techsupport@elitescreens.com