



In-Ceiling Trim Kit for Elite Electric Screens

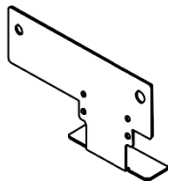
Universal Ceiling Trim Kit ZCU1, ZCU2, ZCU3, ZCU4, ZCU5

User's Guide

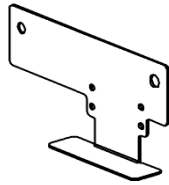


Parts List for the ZCU Universal Ceiling Trim Kit

Please make sure all part listed below are included before proceeding with the installation.

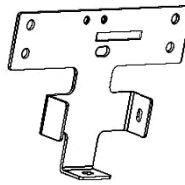


Left x 1pc

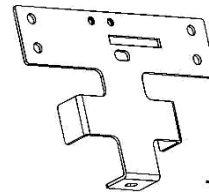


Right x1pc

(1) **Assembly Plank**

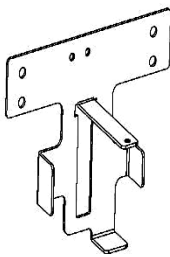


Left x 1pc

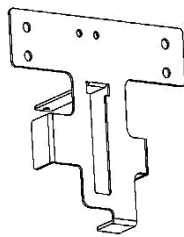


Right x 1pc

(2) **Bracket for VMAX2 (below 135") Series**

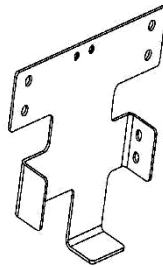


Left x 1pc

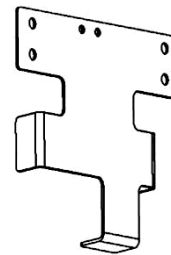


Right x 1pc

(3) **Bracket for HOME2 Series**

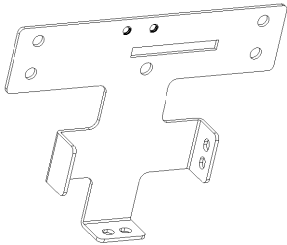


Left x 1pc

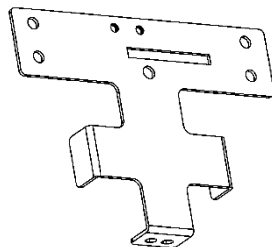


Right x 1pc

(4) **Bracket for CineTension2 Series**

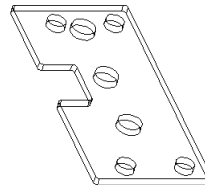


Left x 1pc

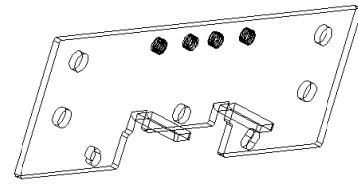


Right x 1pc

(5) **Bracket for VMAX2 (135"-170") Series**

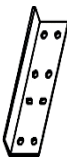


Bracket x 4pcs



Plank x 2pcs

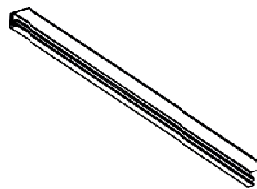
(6) **Bracket for Osprey Tension Dual**



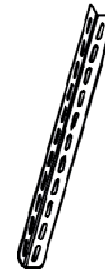
(7) **Connector x 2pcs**



(8) **Assembler x 4pcs**



(9) **Ceiling Panel x 4pcs**



(10) **Suspension Bar x 4pcs**

(L: 910±10mm)



(M6x22 Screw & Nut x 12pcs)



(M5x10 Screw x 30pcs)



(M4x10 Screws x 8pcs)



(M4x27 Screw x 8pcs)

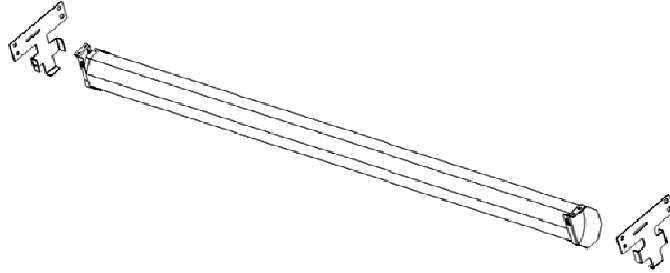


(M5Nutx10pcs)

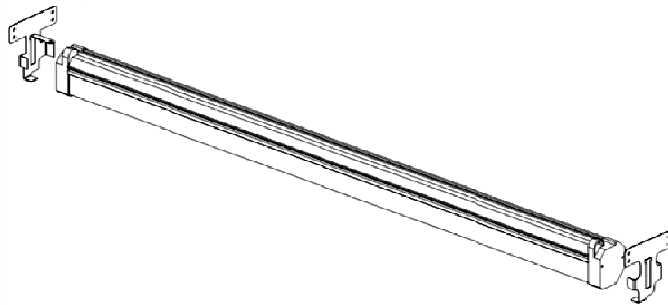
Installation Instructions

1. Use the correct bracket according to your series to install the screen

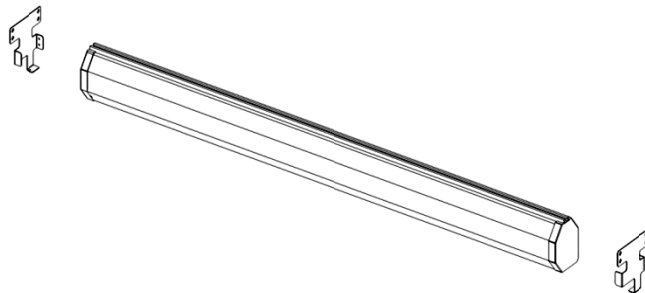
VMAX2 Series below 135" (2)



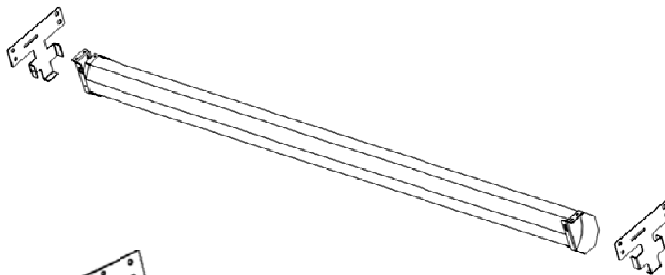
HOME 2 Series (3)



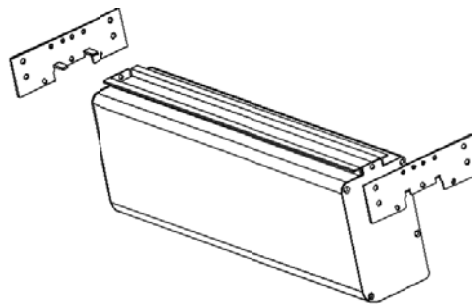
CineTension2 Series (4)



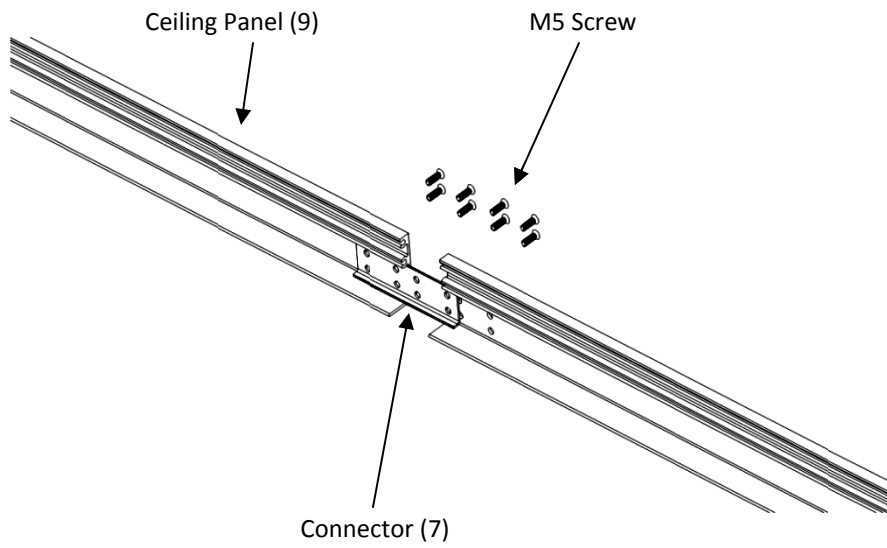
VMAX2 Series 135"-170" (5)



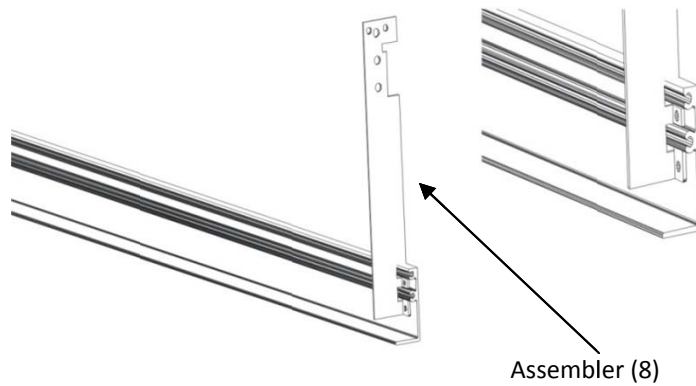
Osprey Tension Dual Series (6)



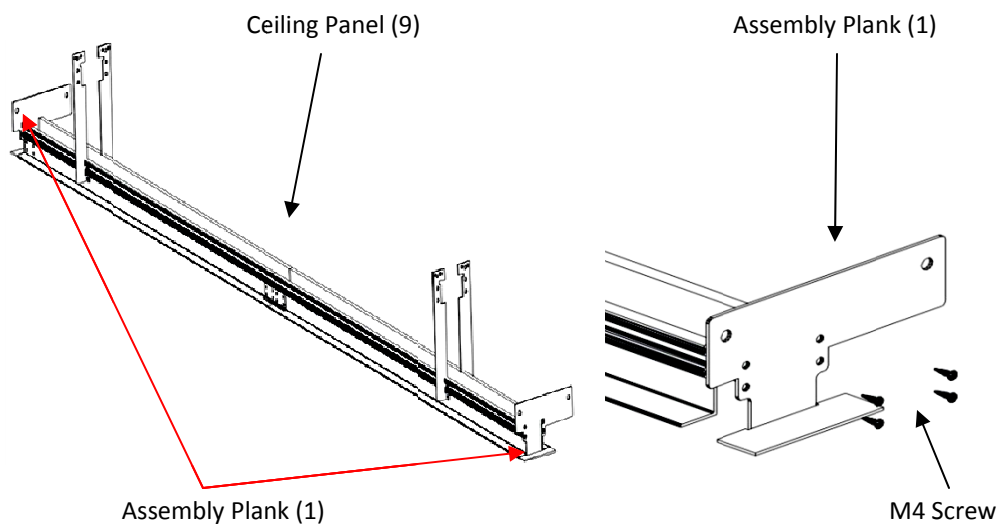
2. Attach the **Ceiling Panel (9)** with the **Connector (7)**.



3. Insert the **Assembler (8)** into the groove of the **Ceiling Panel (9)**.

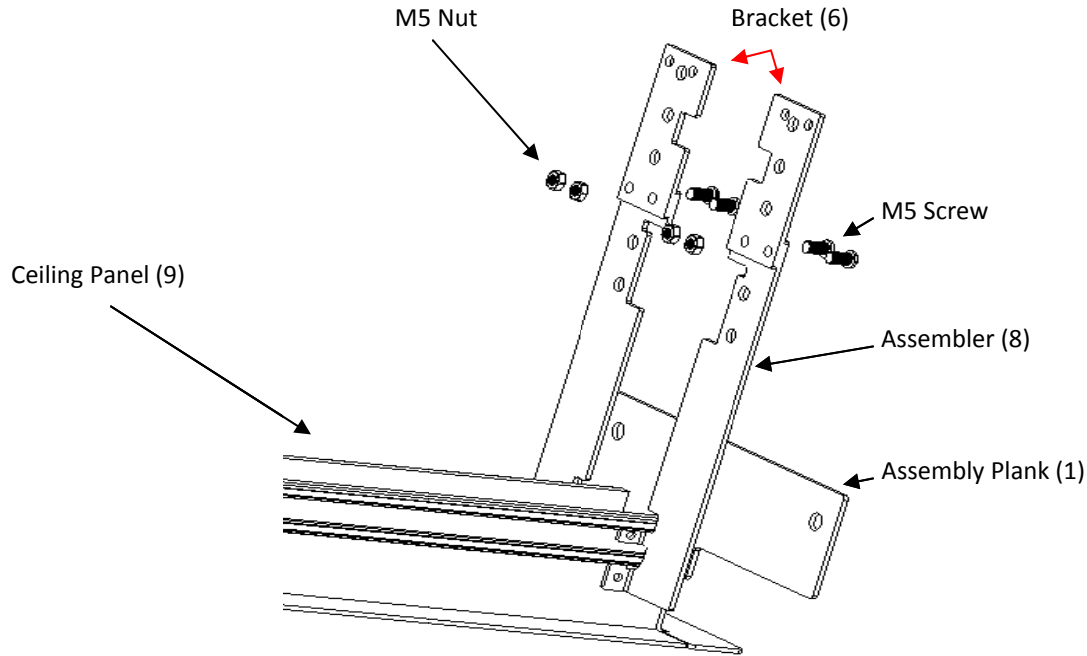


4. Attach the **Assembly Plank (1)** to the **Ceiling Panel (9)** and secure with the **M4 Screws**.



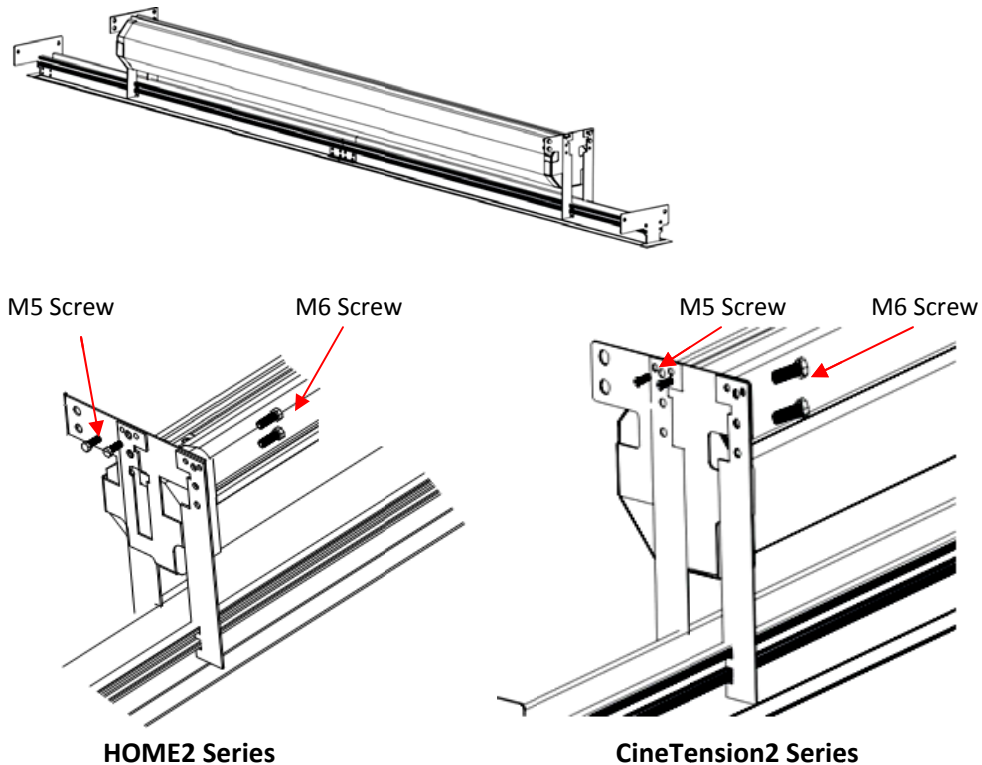
Note: Step 5 only applies to an Osprey Tension Dual Series Installation.

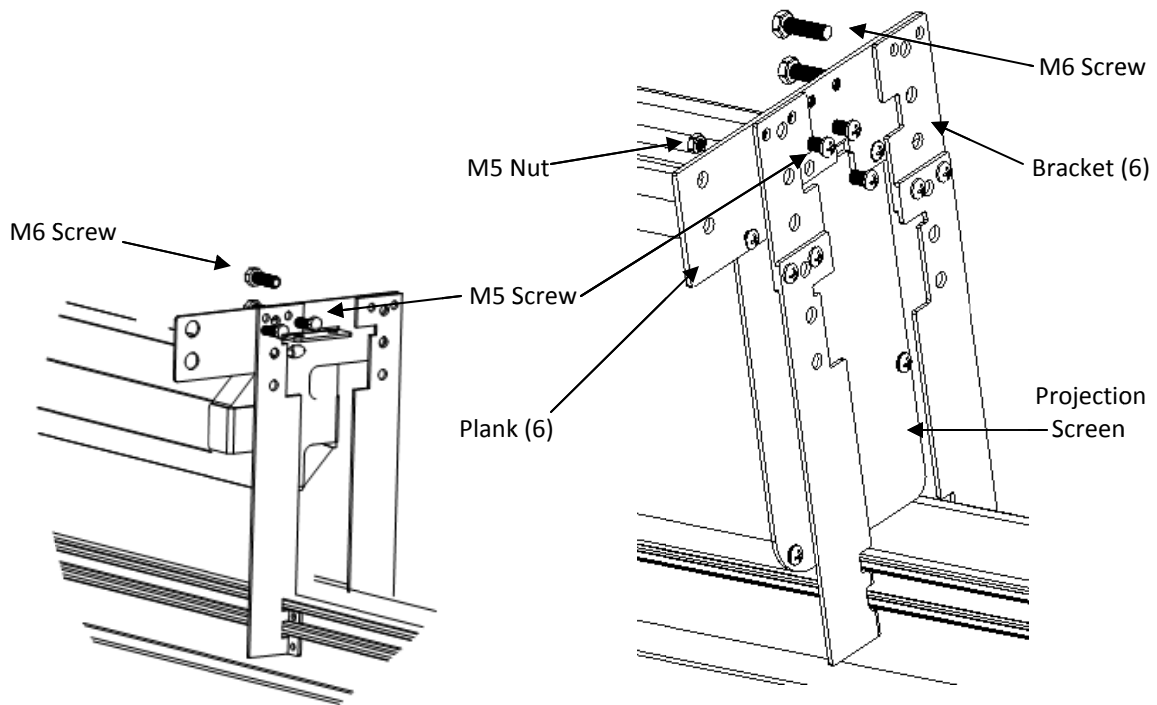
5. Attach the **Osprey Dual Tension Bracket (6)** to the **Assembler (8)** and secure with the **M5 Screw** and **M5 Nut**.



ATTACH THE SCREEN TO THE TRIM KIT

1. Adjust the distance of the **Assembler (8)** to your screen as shown below and lightly secure with the **M6 Screw**. **Note: Do not secure with the M6 Nut until attaching the Suspension Bar (10).**

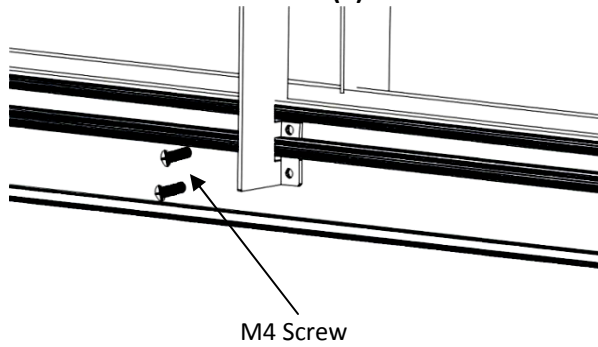




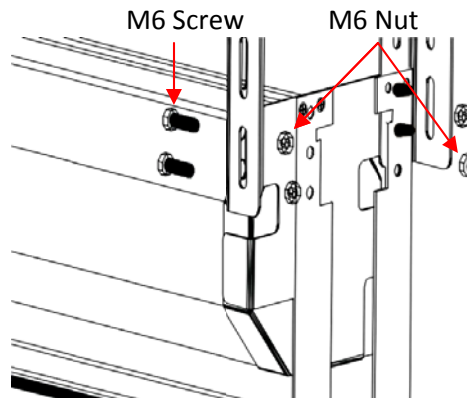
VMAX2 below 135" & 135"-170" Series

Osprey Tension Dual Series

2. Adjust the level and secure the **Assembler (8)** with the **M4 Screw**.

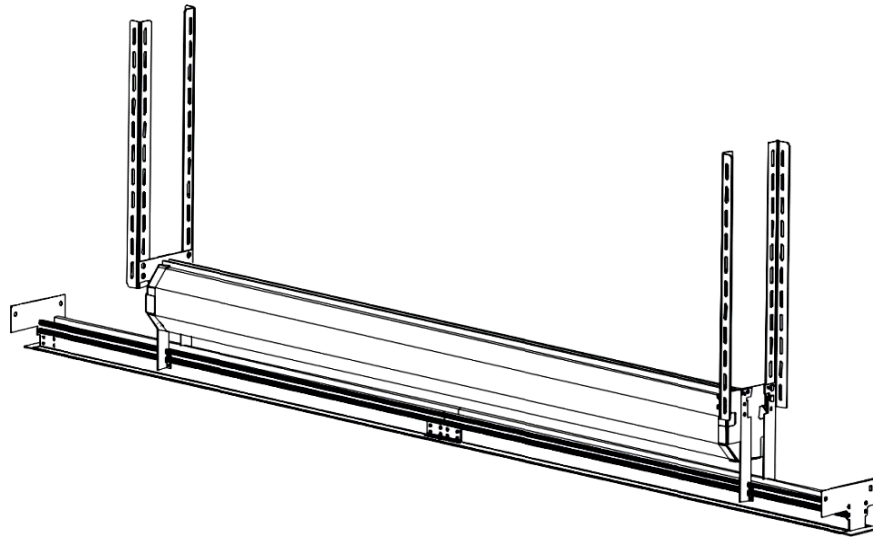


3. Cut the **Suspension Bar (10)** to the required length and install it on the bracket and secure with the **M6 Nut**.

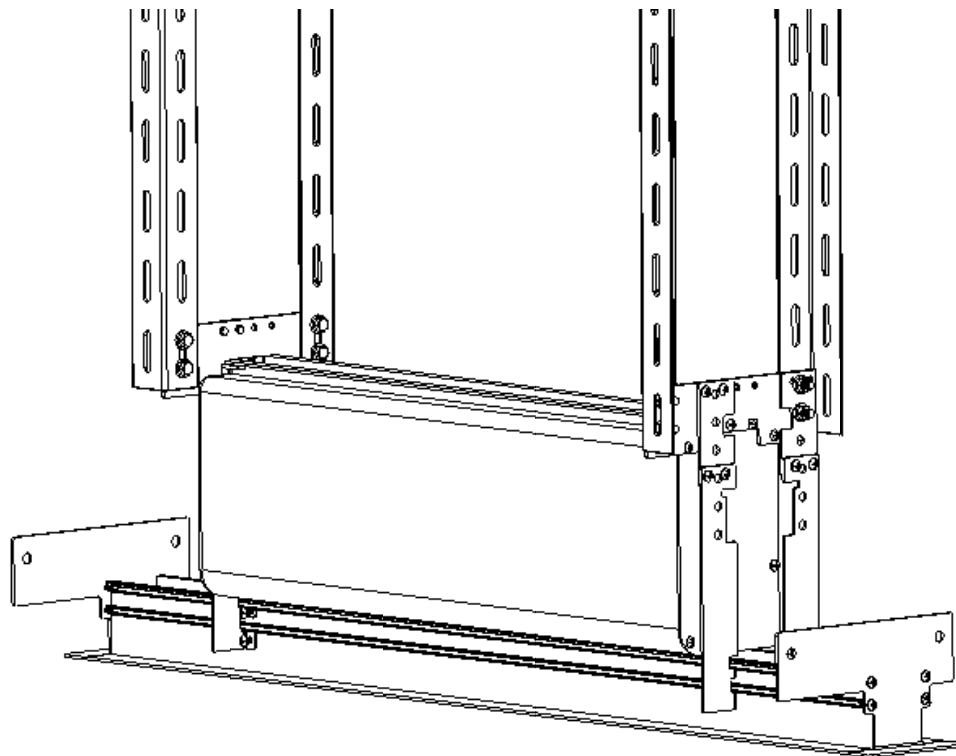


4. Example of each assembled Series.

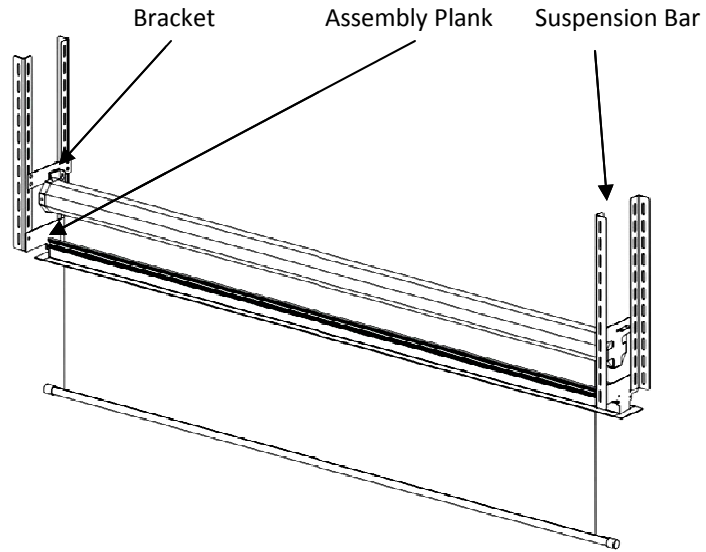
A. CineTension2 Series



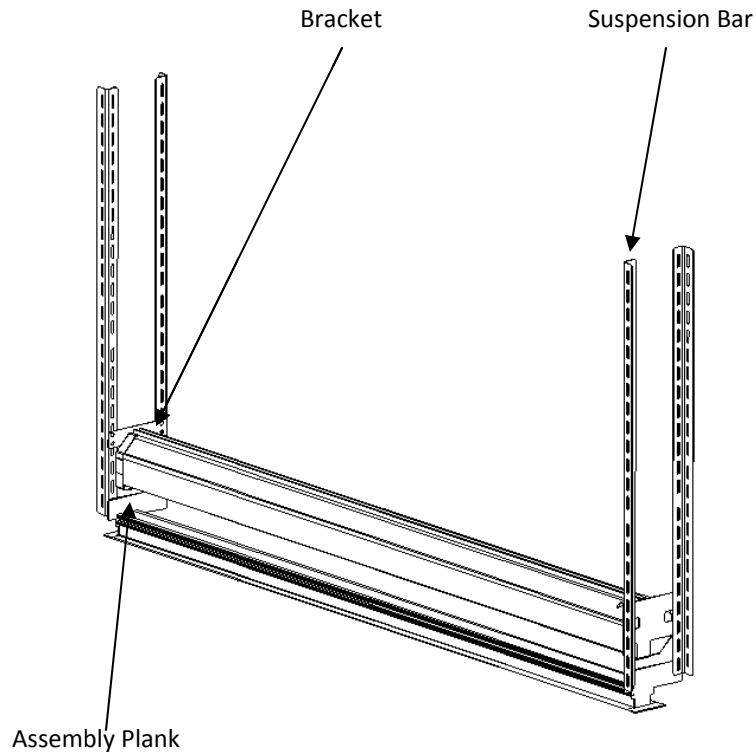
B. Osprey Tension Dual Series



5. If your screen is the VMAX84H, VMAX100H, HOME120H or HOME150V, you can assemble the Universal Ceiling Trim Kit without the **Connector (7)**.



VMAX84H & VMAX100H



HOME120H & HOME150V

Warranty Policy

- **Two (2) Year** parts and labor warranty from defects in workmanship from purchase date as follows (except for refurbished units as specified below).
- **Three (3) Year** parts and labor warranty from defects in workmanship for **GEMR** (Government, Educational, Military, & Religious) purchases of new product only.
- **Refurbished Units** carry a **90-DAY** parts and labor warranty.
- Each party will be responsible for one way shipping during the warranty period.
- A **RMA (Return Merchandise Authorization) number** must be issued in order to process a replacement or to authorize a return for warranty repair. Elite Screens will, at its sole option replace or repair the defective unit with a replacement *(see exceptions below) after the defective unit or parts have been received. Once the product is received, Elite Screens will send out a replacement *unit to the customer by ground service (subject to inventory availability).
- **Do Not Return Any Unauthorized Items to Elite Screens, as they will be refused and returned at your expense. The RMA Number must be included on the outside label of your shipping box. Our warehouse is not authorized to accept returns without an RMA number on the shipping label.**
- **RMA Numbers are valid for 45 days from the date issued.**
- **Missing Parts** must be reported within 7 days of receipt. If reported after 7 days, the customer will be responsible for shipping and handling fees. If reported after 30 days of receipt, the customer will be responsible for cost of parts and shipping & handling fees.

*A New or refurbished replacement will be send out to the customer depending on the type of purchase (new or refurbished) and based on stock availability.

North America only U.S. and Canada

For Warranty and Service requests, please submit an RMA/Service Form at:
www.elitescreens.com/warrantysupportform

Please visit this link for full Warranty information:
www.elitescreens.com/warranty

For Customer Service and Technical questions, please contact Elite Screens at:
Telephone: (877) 511-1211 service@elitescreens.com
Fax: (562) 926-8433 techsupport@elitescreens.com

REMEMBER TO REGISTER YOUR PRODUCT AT:

www.elitescreens.com

Contact Info

US & Canada Tech Support & Warranty Claim

Please contact us at service@elitescreens.com or call +1 877-511-1211 #3 or fax +1-562-926-8433

Europe Tech Support & Warranty Claim

Please contact us at service@elitescreens.eu or call +49-(0) 40-30392958

Asia Tech Support & Warranty Claim

Please contact us at service@elitescreens.com.cn or call +86-(0) 755-8461-7989

Taiwan Tech Support & Warranty Claim

Please contact us at service@elitescreens.com.tw or call +866+2+8990-1999

America:

Elite Screens Inc

16410 Manning Way

Cerritos, CA 90703 USA

Tel: +1-877-511-1211

Fax: +1-562-926-8433

info@elitescreens.com

www.elitescreens.com

Europe:

Elite Screens Europe

Lübecker Straße 1

22087 Hamburg, Germany

Tel: +49-4030392494

Fax: +49-40-49219200

info@elitescreens.eu

www.elitescreens.eu

Asia:

Elite Screens China Corp.

Longxi Duimianling Industry Zone

Longcheng Longgang District,

ShenZhen Guangdong, China

Tel: +86-(0)755-8461-7989

Fax: +86-(0)755-8461-7669

info@elitescreens.com.cn

www.elitescreens.com.cn

Elite Screens France S.A.S

11, Allée William Penn

92150 Suresnes, France

Tel: +33-1-45064735

Fax: +33-1-45064735

info.fr@elitescreens.com

www.elitescreens.com/fr

Taiwan:

Elite Screens Taiwan Corp.

4F., No. 42-1 Wuguan Rd. Wugu Township Taipei

County 248, Taiwan (Wugu Industrial Park)

Taiwan (R.O.C)

Tel: +886+2+8990-1999

Fax: +886+2+8990+1366

info@elitescreens.com.tw

www.elitescreens.com.tw

Japan:

Elite Screens Japan Corp.

467-2-606 Tsuruma, Machida-shi,

Tokyo, 194-0004 Japan

Tel: 0120-07-0008

Fax: +81(0)42-706-9130

info@elitescreens.jp

www.elitescreens.jp

Latin America Contact:

Info.la@elitescreens.com

East Asia Contact:

Info.ea@elitescreens.com

India Contact:

Info.ea@elitescreens.com