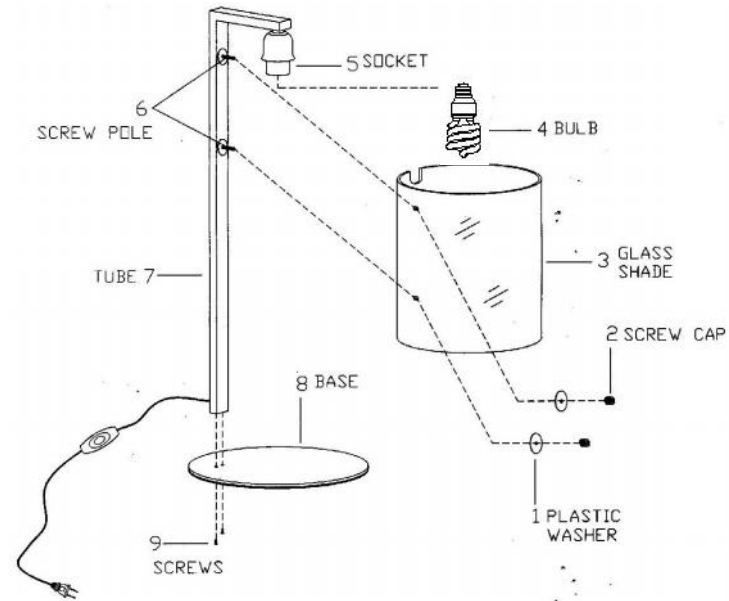


ITEM NO.: LS-20844 (NEW)

ASSEMBLY INSTRUCTIONS:

1. CAREFULLY UNPACK PARTS FROM CARTON AND REMOVE COVERING. CHECK THAT ALL PARTS ARE INCLUDED AS SHOWN IN THE ILLUSTRATION.
2. REMOVE THE SCREWS (9) FROM THE TUBE (7), SECURE THE BASE (8) TO THE TUBE (7) WITH SCREWS (9).
3. REMOVE THE SCREW CAP (2) FROM THE POLE (6) AND TAKE OUT PLASTIC WASHER (1). PUT THE GLASS SHADE (3) AND PLASTIC WASHER (1) ONTO THE POLE (6), THEN SECURE THEM USING SCREW CAP (2).
4. INSERT THE BULB (4) ONTO THE SOCKET (5).



USE A 13W CFL TYPE BULB OR 60W (MAXIMUM) G TYPE BULB.

IMPORTANT SAFETY INSTRUCTIONS:

This portable lamp has a polarized plug (one blade is wider than the other) as a feature to reduce the risk of electric shock. This plug will fit in a polarized outlet only one way. If the plug does not fit fully in the outlet, reverse the plug. If it still does not fit, contact a qualified electrician. Never use with an extension cord unless plug can be fully inserted. Do not alter the plug.

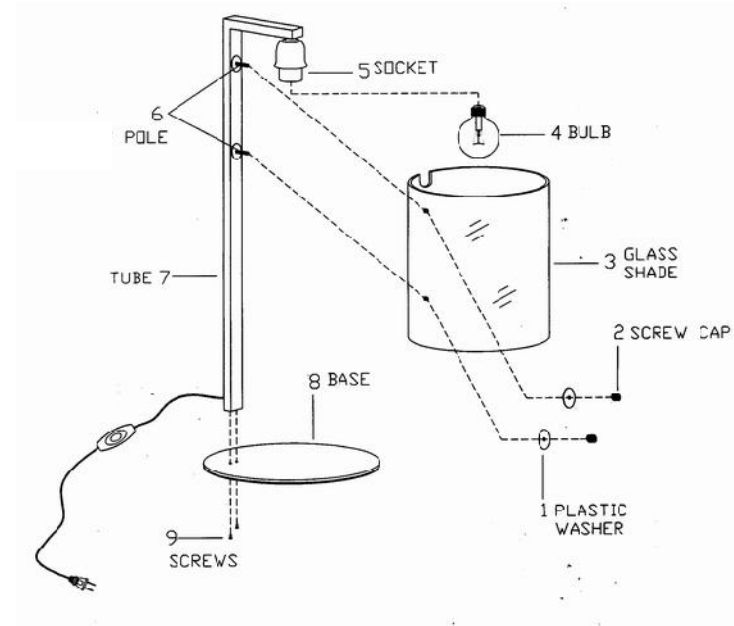
- ※ PLEASE INFORM YOUR DEALER IMMEDIATELY IN CASE OF ANY PARTS SHORTAGE.
- ※ SAVE THESE INSTRUCTIONS FOR FUTURE REFERENCE.

 **LITE SOURCE INC.**
CHINO, CA 91710

ITEM NO.: LS-20844

ASSEMBLY INSTRUCTIONS:

5. CAREFULLY UNPACK PARTS FROM CARTON AND REMOVE COVERING. CHECK THAT ALL PARTS ARE INCLUDED AS SHOWN IN THE ILLUSTRATION.
6. REMOVE THE SCREWS (9) FROM THE TUBE (7), SECURE THE BASE (8) TO THE TUBE (7) WITH SCREWS (9).
7. REMOVE THE SCREW CAP (2) FROM THE POLE (6) AND TAKE OUT PLASTIC WASHER (1). PUT THE GLASS SHADE (3) AND PLASTIC WASHER (1) ONTO THE POLE (6), THEN SECURE THEM USING SCREW CAP (2).
8. INSERT THE BULB (4) ONTO THE SOCKET (5).



USE 60W (Maximum), G-TYPE BULB (BULB INCLUDED).

IMPORTANT SAFETY INSTRUCTIONS:

This portable lamp has a polarized plug (one blade is wider than the other) as a feature to reduce the risk of electric shock. This plug will fit in a polarized outlet only one way. If the plug does not fit fully in the outlet, reverse the plug. If it still does not fit, contact a qualified electrician. Never use with an extension cord unless plug can be fully inserted. Do not alter the plug.

- ※ **PLEASE INFORM YOUR DEALER IMMEDIATELY IN CASE OF ANY PARTS SHORTAGE.**
- ※ **SAVE THESE INSTRUCTIONS FOR FUTURE REFERENCE.**

**LITE SOURCE INC.**
CHINO, CA 91710