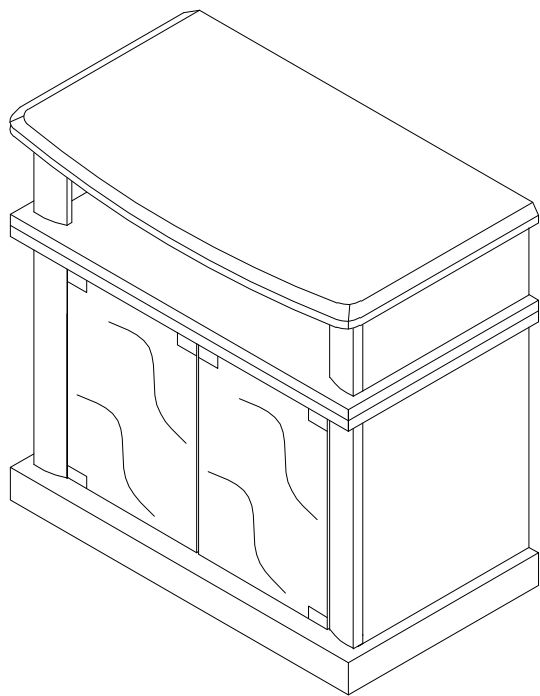


4 DC TV/DVD/VCR CART W/LARGE SWIVEL

MODEL: 08699



NEED ASSISTANCE ?

Call 4D CONCEPTS directly for parts or assembly assistance.

Individual stores do not stock parts

Call our Toll-free number 5 days a week except holidays:

Monday through Friday 8.00am to 5.00pm

Pacific Standard Time

1-888-310-4DCO or 1-888-310 4326

IMPORTANT: Before calling please have the model number
and the packing code number ready for our customer service representatives.

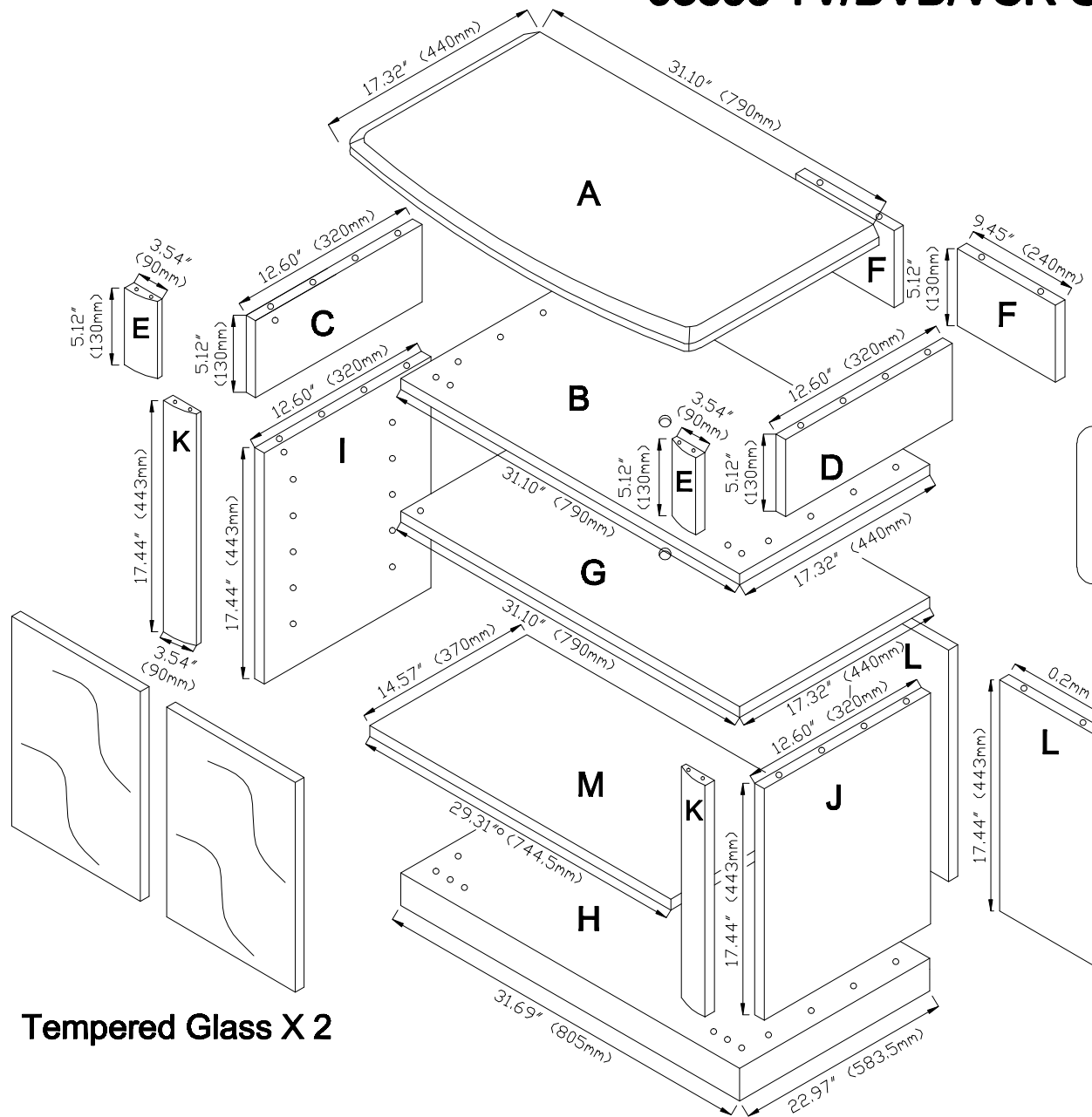
You will find the model number printed on the carton label and the packing
code printed in black ink on the side of the carton.

Model 08699 Packing code

It is important that you retain the model number and the packing code
along with the original receipt of purchase for future reference.

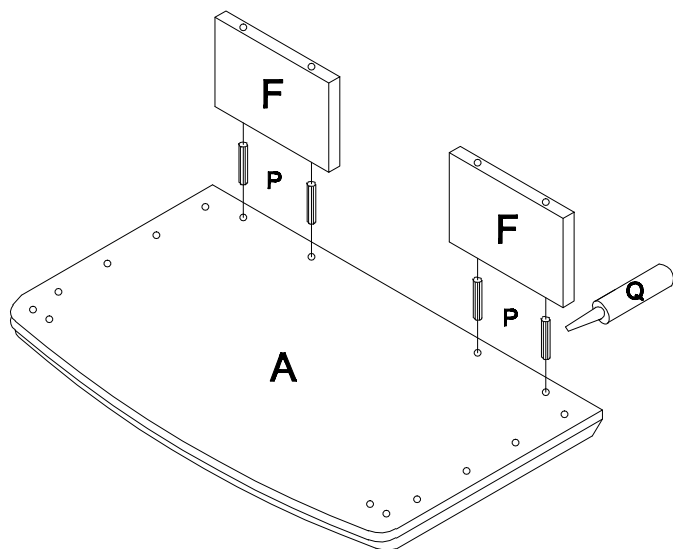
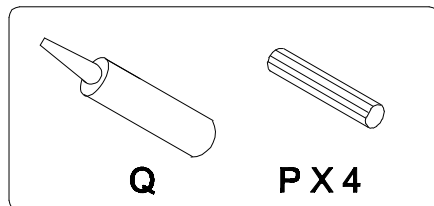
Made in China

08699 TV/DVD/VCR CART W/LARGE SWIVEL

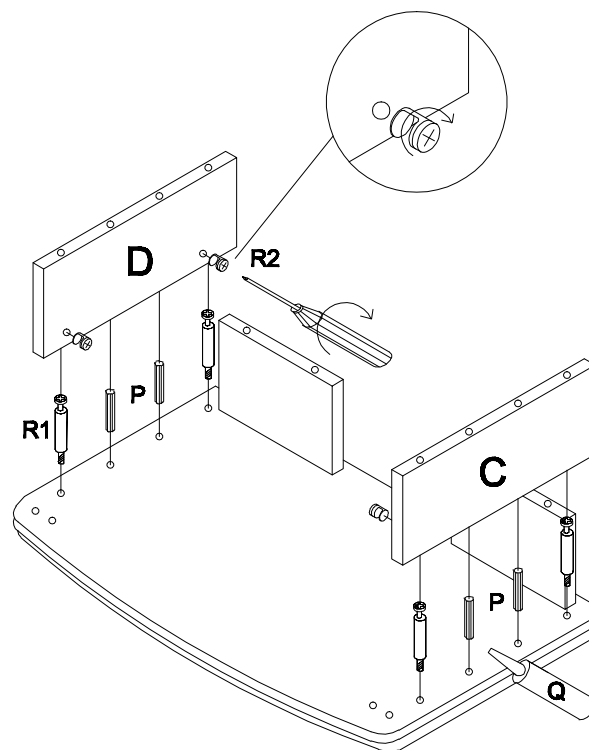
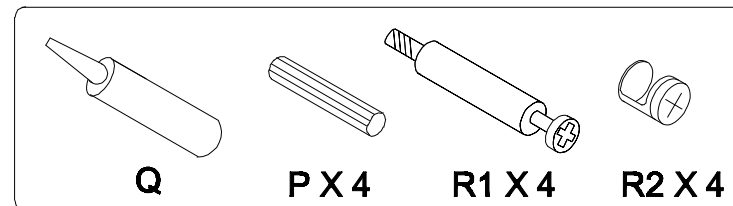


- | | | | | |
|----------------------------|----------------------------|-----------------------------|---------------|---------------|
| N X 8
6 X 50 mm | O X 1 | P X 48
8 X 35 mm | Q X 2 | |
| R1 X 8 | R2 X 8 | S X 4 | U X 1 | |
| T1 X 8 | T2 X 2 | T3 X 2 | T4 X 2 | T5 X 2 |
| V X 30
4 X 14 mm | W1 X 2 | W2 X 3 | | |
| Y X 1
6 X 38 mm | Y1 X 1 | Z X 2
5.9 X 21 mm | Z1 X 2 | |
| A1 X 5 | B1 X 2
3 X 12 mm | C1 X 4 | | |

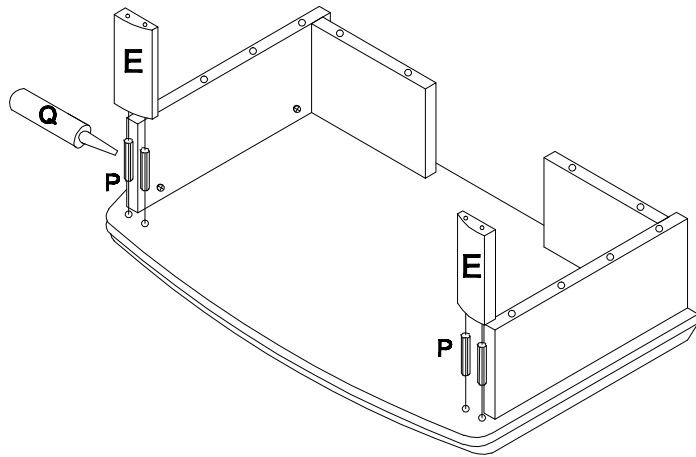
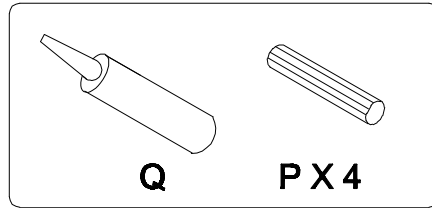
1.



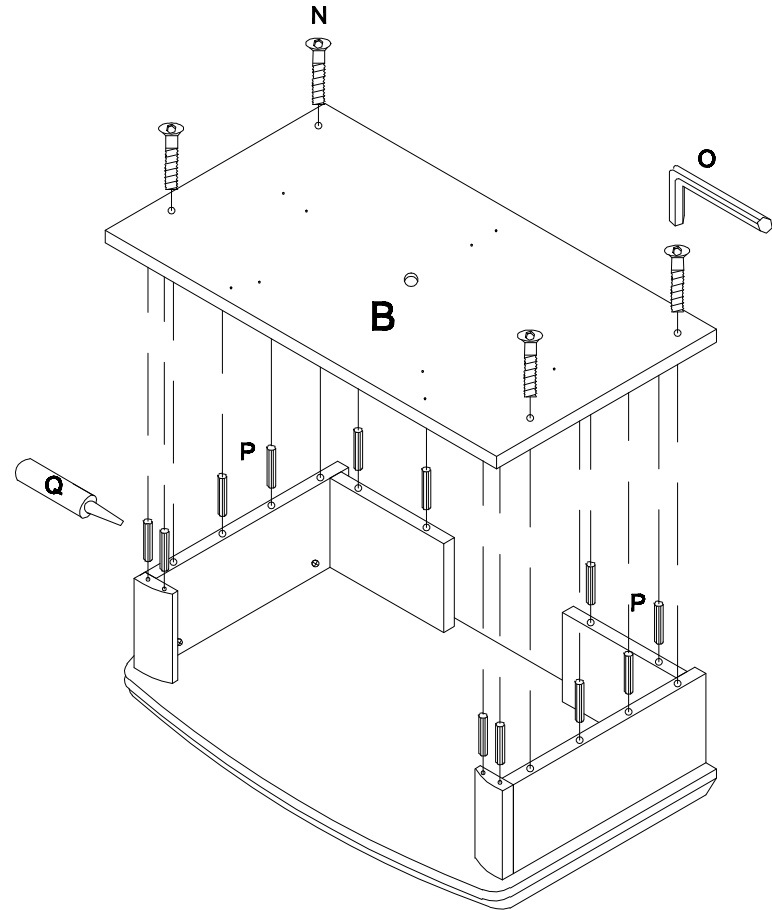
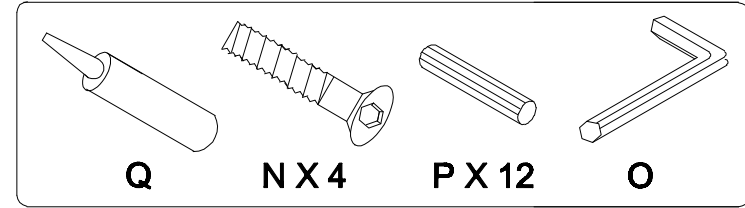
2.



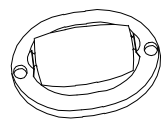
3.



4.



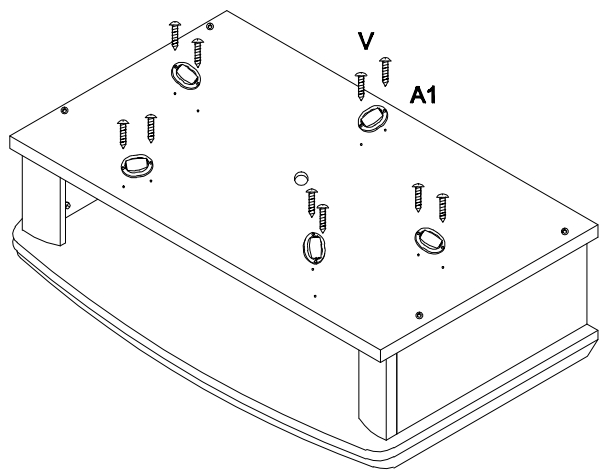
5.



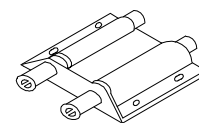
A1 X 5



V X 10



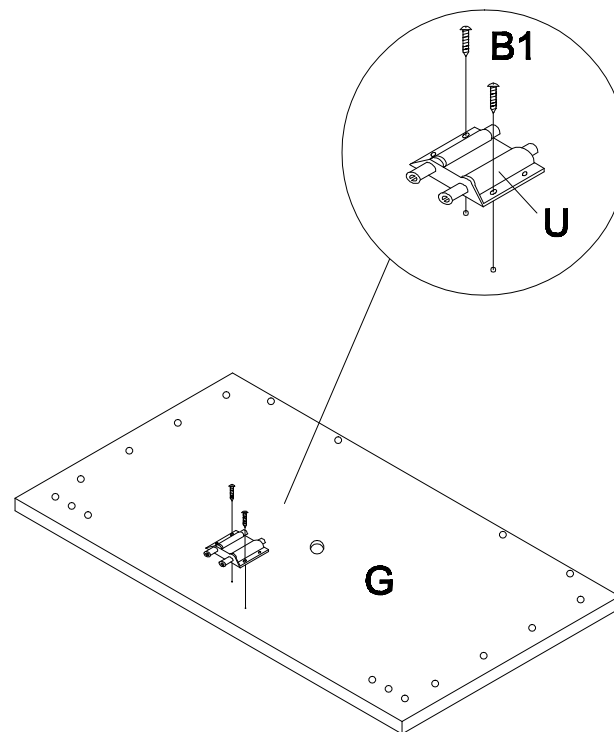
6.



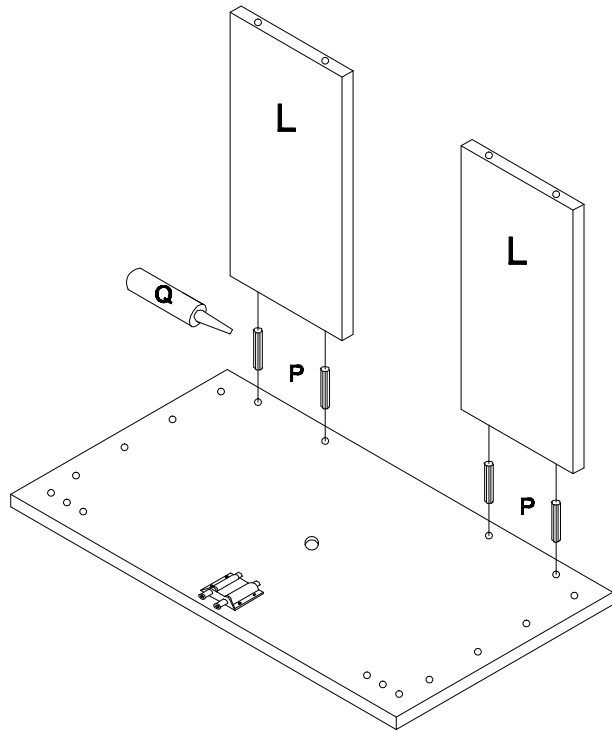
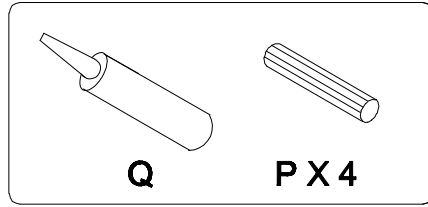
UX 1



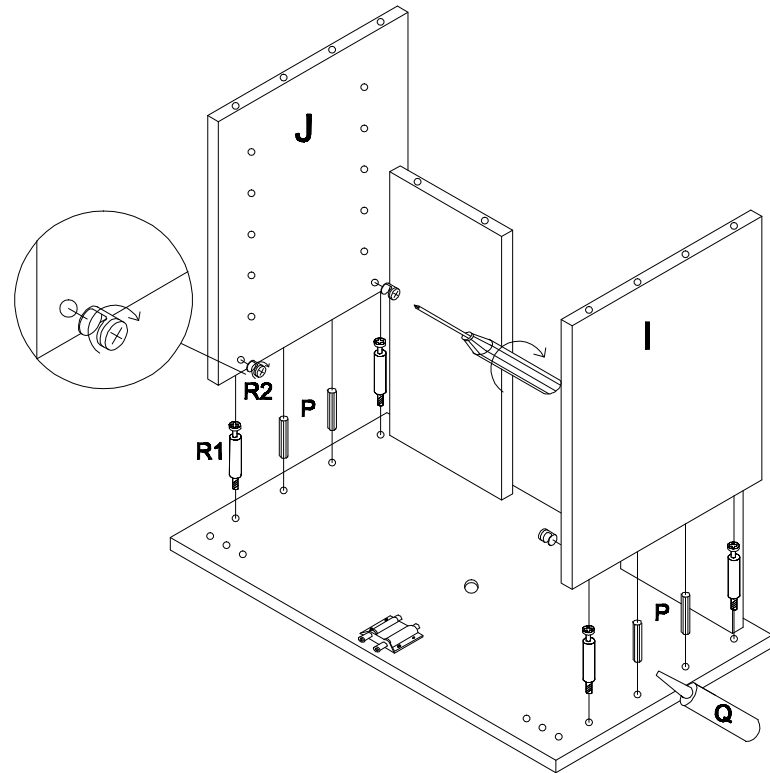
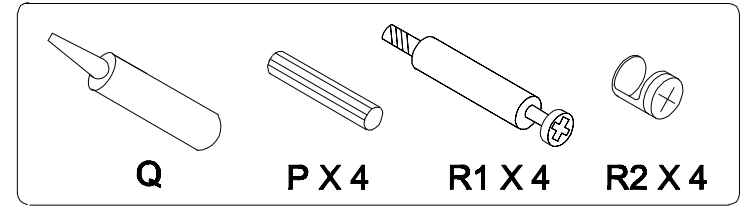
B1 X 2



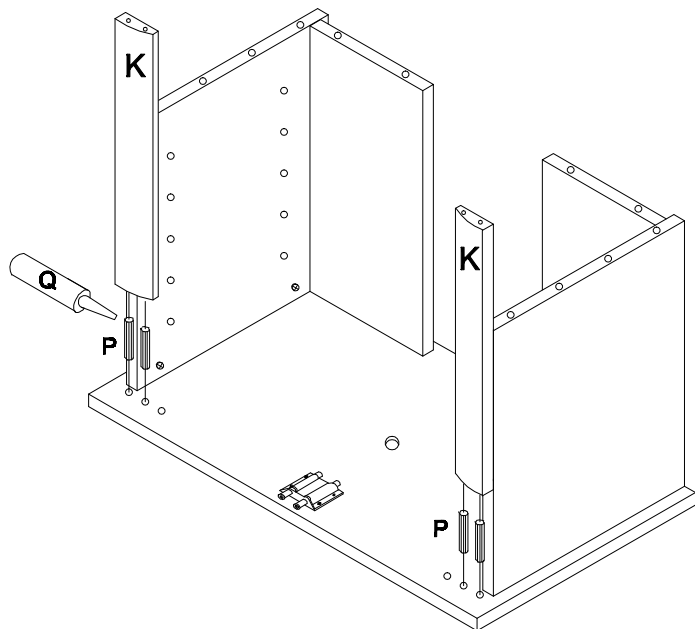
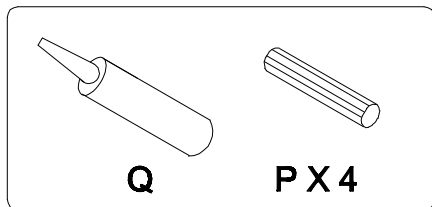
7.



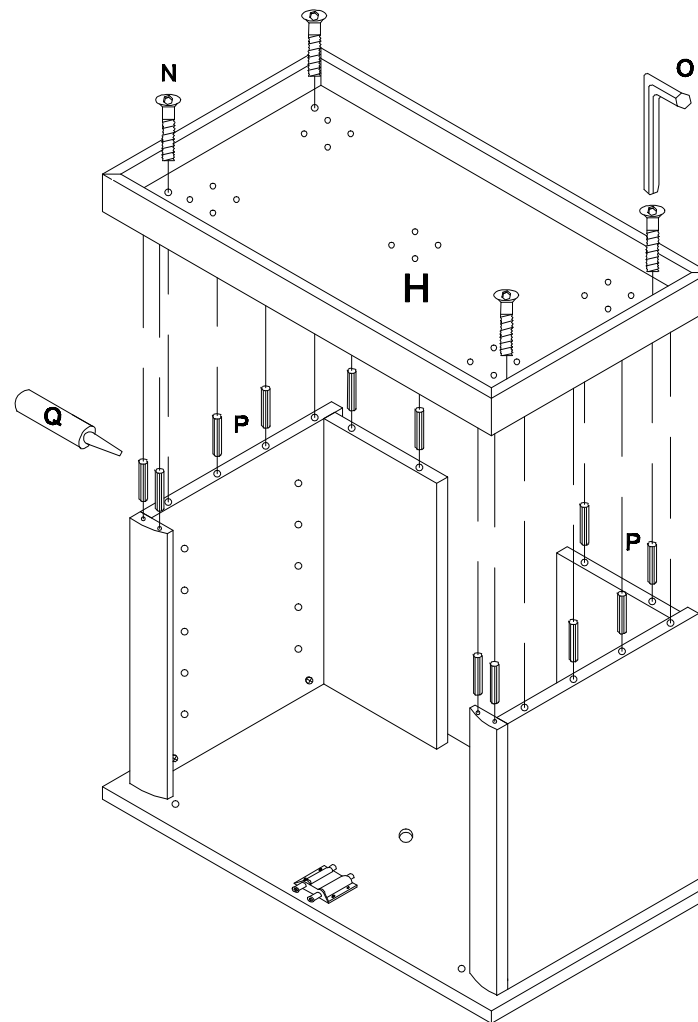
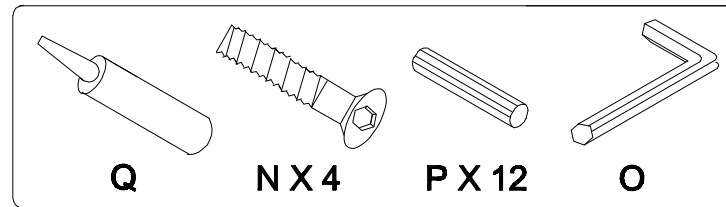
8.



9.



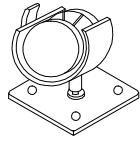
10.



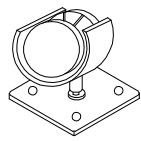
11.



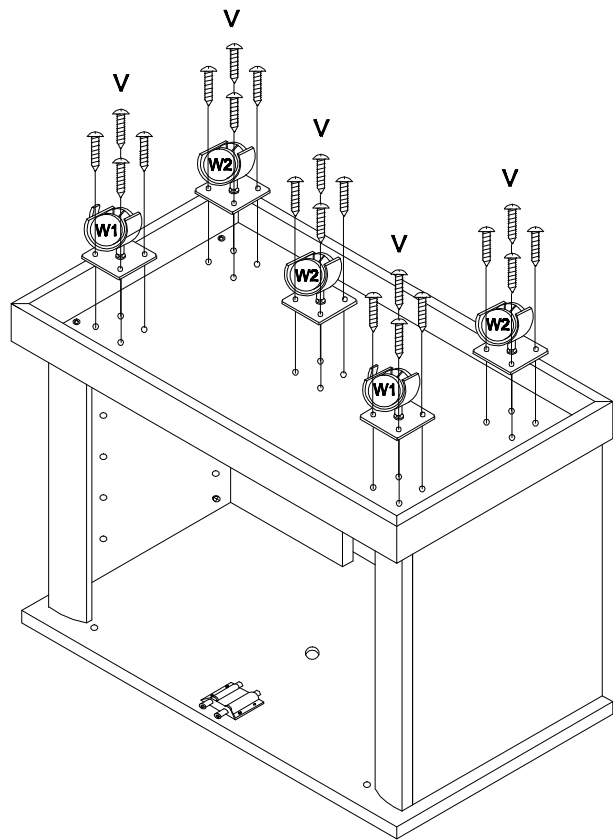
V X 20



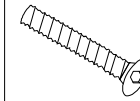
W1 X 2



W2 X 3



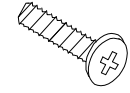
12.



Y X 1



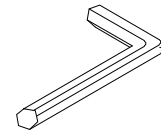
Y1 X 1



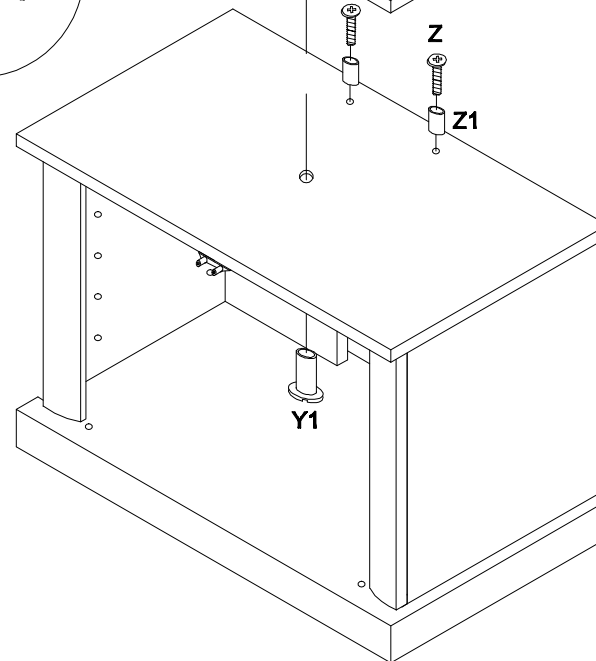
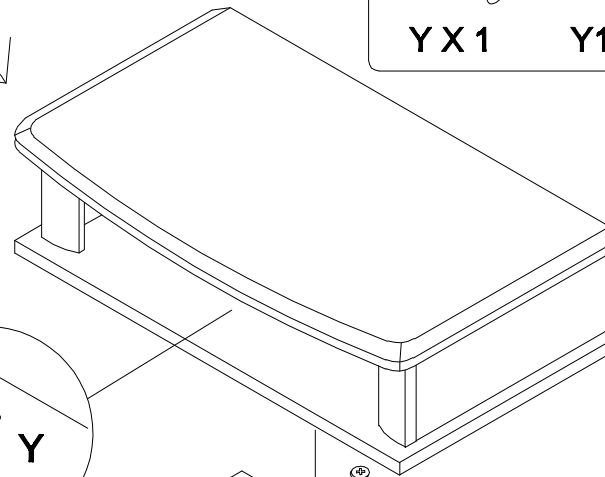
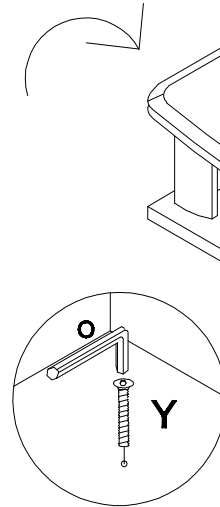
Z X 2



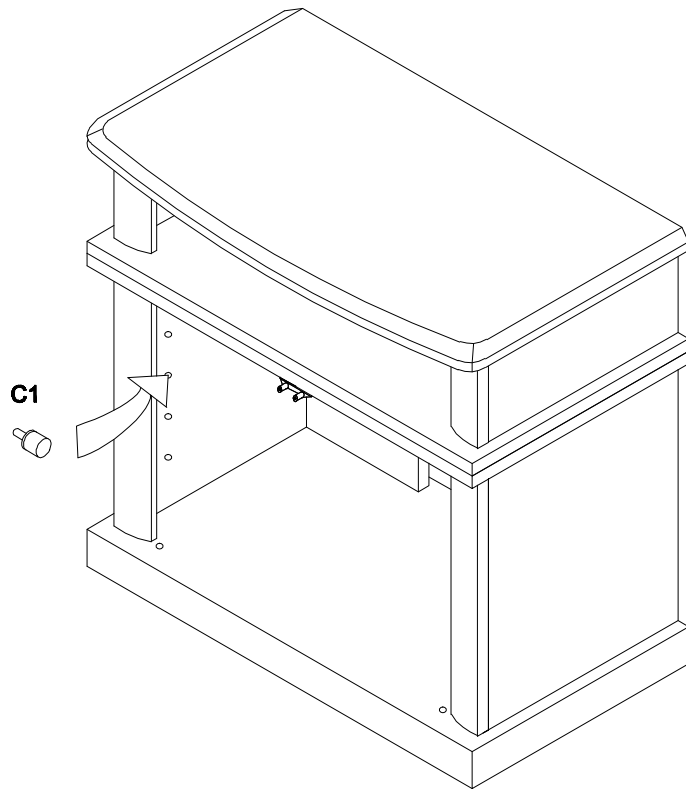
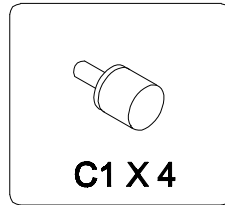
Z1 X 2



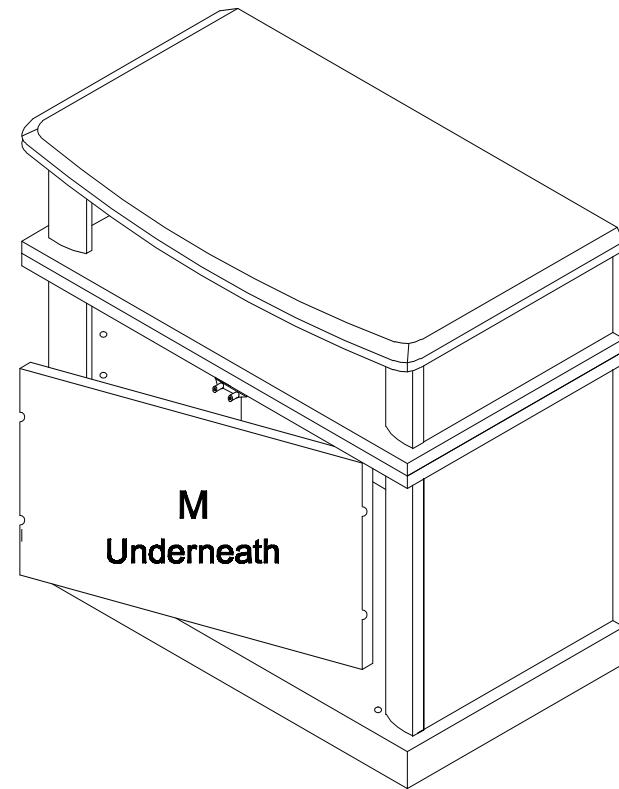
O



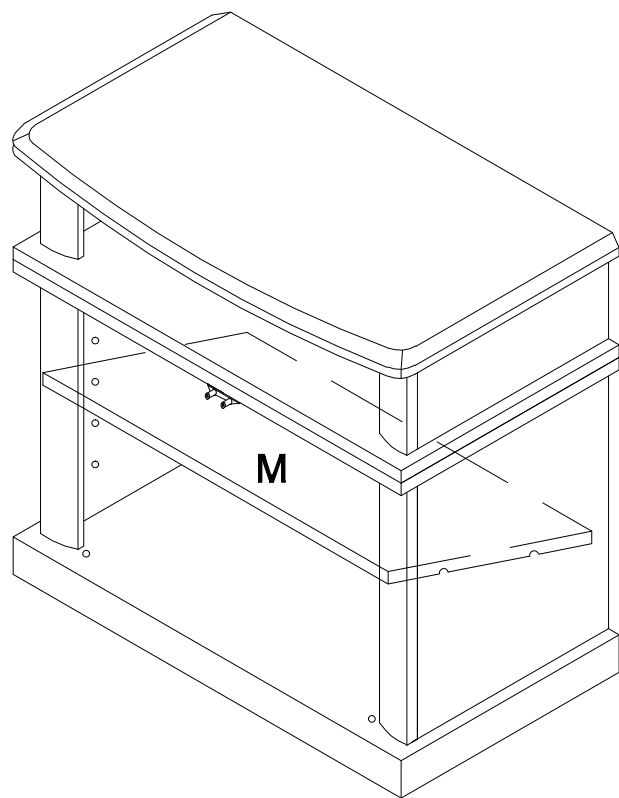
13.



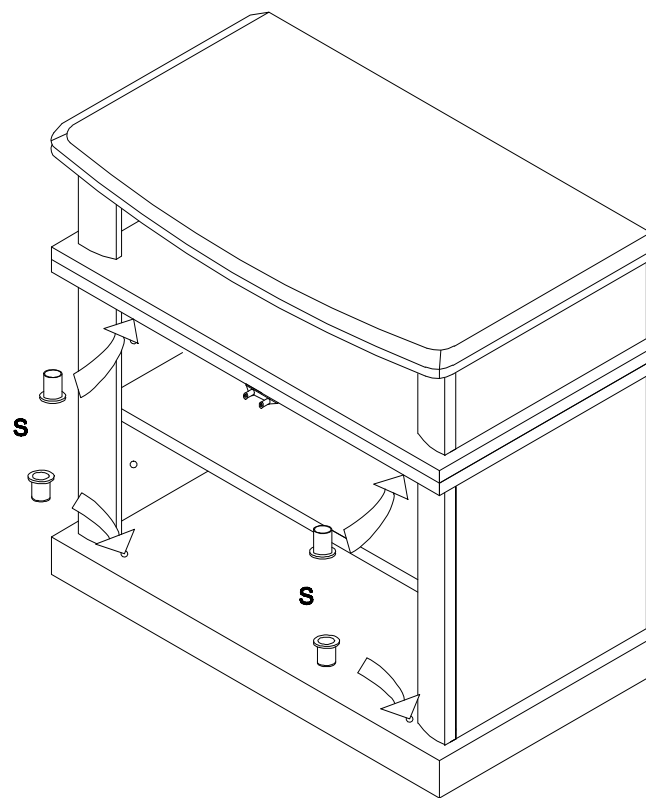
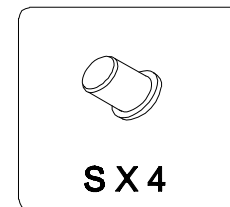
14.



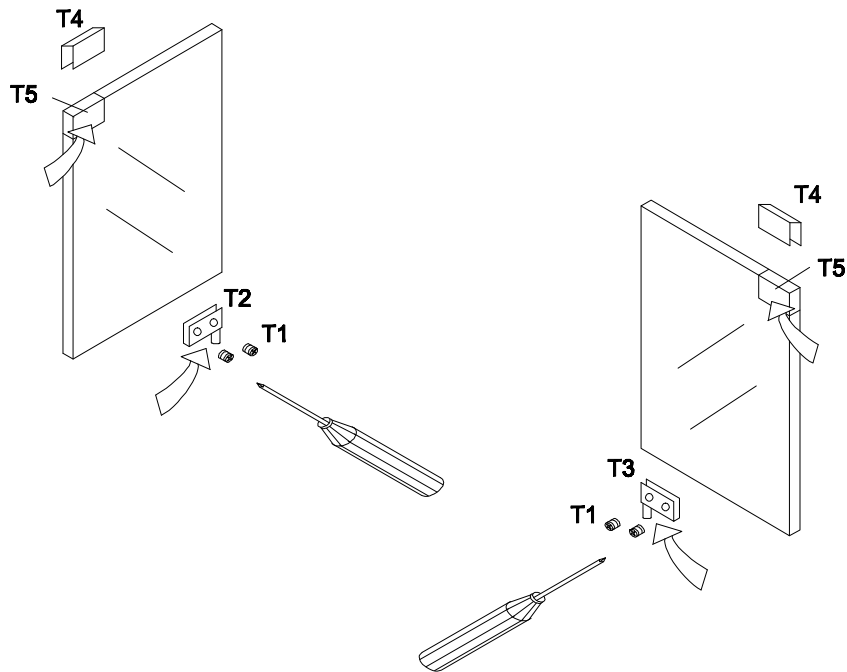
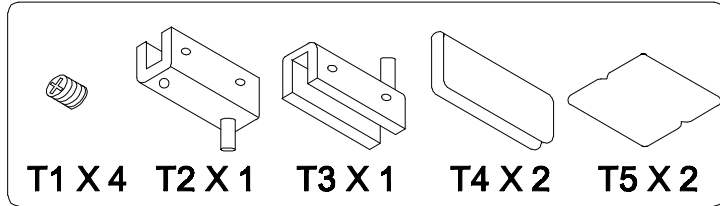
15.



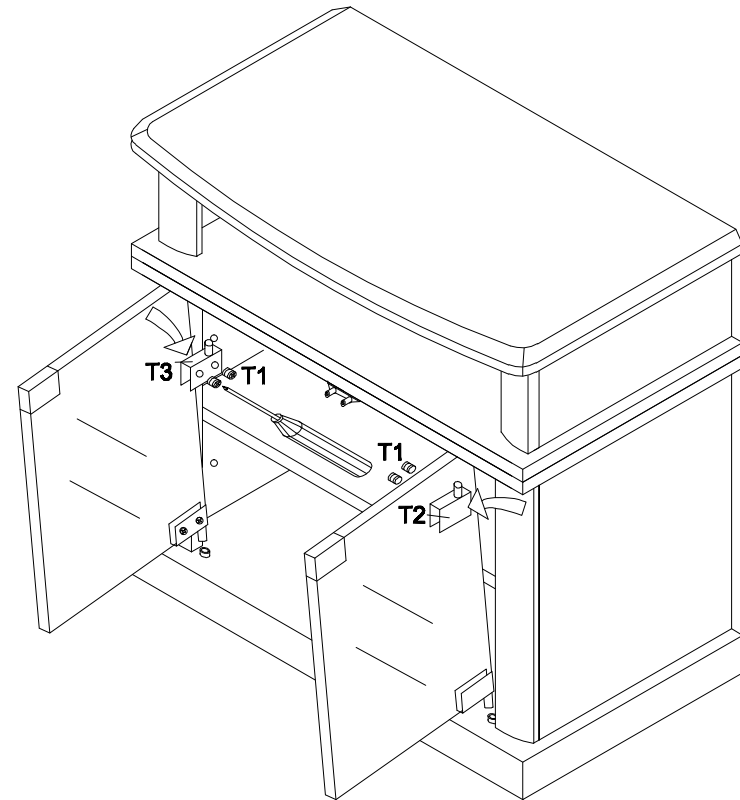
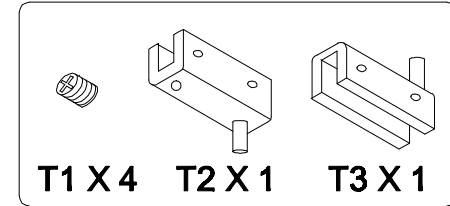
16.



17.



18.



CAUTION - Remove all items from your TV Cart before moving the unit!