

ASSEMBLY INSTRUCTIONS

These instructions are provided for your safety.

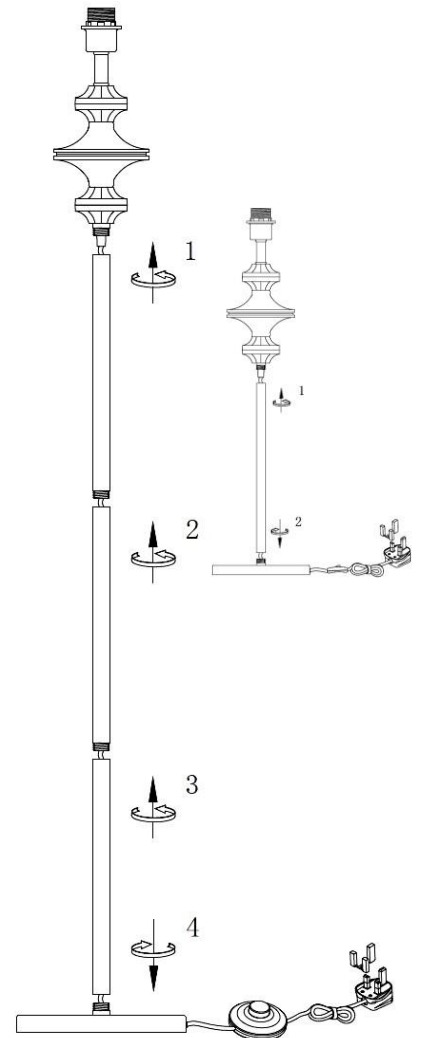
Please read carefully before commencing work and retain for future reference.

SAFETY INFORMATION

- * If the flexible cable of this product is damaged it should be exclusively replaced by the manufacturer or a similar qualified person in order to avoid a hazard.
- * To prevent electrocution switch off at the mains supply before assembling or maintaining this fitting. Ensure the plug is not connected to any power supply and read instruction before assembly.
- * This floor lamp is fitted with a 3 Amp fuse and is suitable for 240 volt ring mains.
- * Always be sure to use the correct type and wattage of bulbs as indicated on the product. Never exceed the wattage stated.
- * When changing the bulb, ensure product is unplugged and allow the old bulb to cool down before handling. Dispose of used bulbs carefully.

ASSEMBLY INSTRUCTIONS

1. Unpack the floor / table lamp and remove all packaging. Be careful that you do not scratch surface of the stems whilst removing plastic wrapping.
2. Cover floor / assembly area with a soft cloth to avoid damage to the flooring and surface of the product then lay this product out on the floor. Assembly should take place with the product lying flat.
3. Where required remove the plastic / cardboard cable protectors that are fitted at cable entry points inside stems and floor lamp base.
4. Firmly hold the lamp holder stem and then screw the lower stem into the upper section together, taking care to hold stems parallel to avoid cross threading. ①
5. Hold the assembled sections firmly then screw the lower stem into the upper section, taking care to hold stems parallel to avoid cross threading. ②
6. Hold the assembled sections firmly then screw the bottom stem into the upper section, taking care to hold stems parallel to avoid cross threading. ③
7. Gently pull the excess cable out of base until the lower stem meets the centre of base.
8. Hold assembled stems firmly and screw base onto the assembled stems. Make sure that the threads do not become crossed. If in doubt unscrew base then start again. ④ **Take care not to over tighten.**
9. Where required - tighten the cable restraint supplied to secure cable in place. Note: Do not leave excess cable inside the base.
10. Pull any excess cable out of the base. Stand the floor lamp upright then ensure assembled sections are sufficiently tightened.
11. **Where required** - Remove shade ring from lamp holder, fit shade where required and secure in place with shade ring. **Fit bulb, type and wattage as indicated on fitting. The wattage indicated on the shade must not be exceeded.**
12. Your floor lamp is now ready for use.



Please retain this information leaflet for future reference

GENERAL INFORMATION

This floor lamp is designed for internal use only.

Do not use polish or an abrasive cleaner - just a soft dry cloth.

Issue 1 01/15