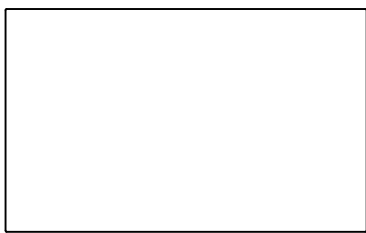


ASSEMBLY INSTRUCTION

1. - 1 PC.



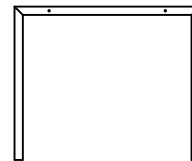
2. - 2 PCS.



3. - 2 PCS.



4. - 2 PCS.



A. M6 x 50 - 12 PCS.



B. M6 x 25 - 4 PCS.



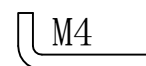
C.-6PCS



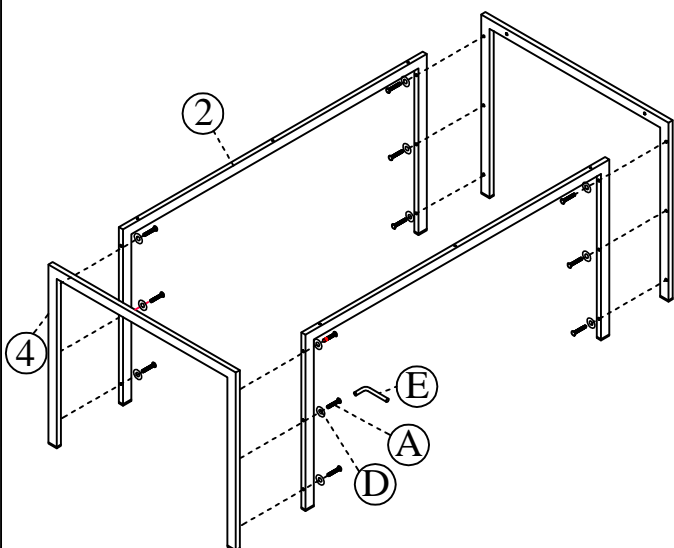
D.-16PCS



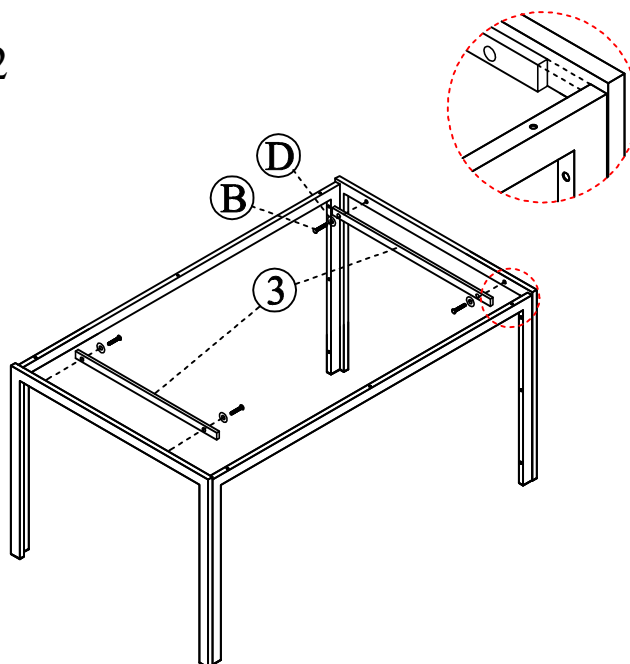
E. - 1 PC.



1



2



3

