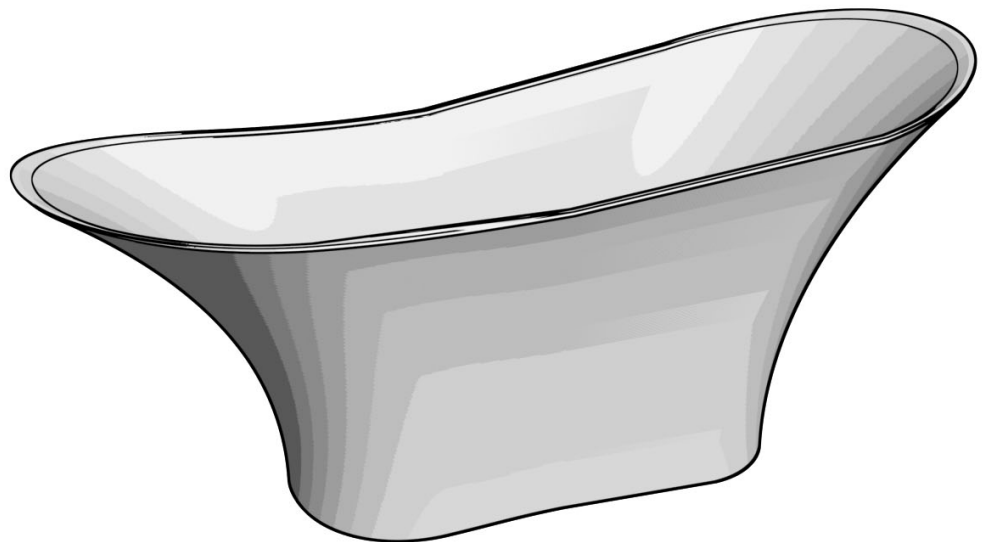


# BATHTUB INSTALLATION MANUAL

## Universal Installation Instructions and Use & Care Guide

For questions about features, operation/performance parts, accessories or service, call:  
1-626-453-0550

F-210	F-291
F-224	F-292L
F-245	F-292R
F-248	F-294
F-273	F-295
F-277	F-296A
F-278	F-296B
F-290	F-297



**IMPORTANT: READ AND SAVE THESE INSTRUCTIONS.  
FOR RESIDENTIAL USE ONLY.**

Revised December 2014

Disclaimer: Item purchased may be slightly different from the manual.

# TABLE OF CONTENT

BEFORE YOU BEGIN.....	1
COMPLIANCE INFORMATION.....	
SAFETY.....	
MAINTENANCE.....	
REPAIR.....	
INSTALLATION REQUIREMENTS.....	2
TOOLS REQUIRED.....	
MATERIALS REQUIRED.....	
INSTALLATION NOTES.....	
CLEARANCE REQUIREMENTS.....	
SITE REQUIREMENTS.....	
INSTALLATION STEPS.....	3-4
WARRANTY.....	5

CONGRATULATIONS ON YOUR  
PURCHASE!

## BEFORE YOU BEGIN

- Please read these instructions carefully to familiarize yourself with the required tools, materials, and installations instructions. Follow the sections that pertain to your particular installation. This will help you avoid costly mistakes. In addition to proper installation, please read all operating and safety instructions.
- Please provide adequate space for the bath unit in accordance with the rough-in. Arrange the location of drain in advance.
- These instructions contain important care, cleaning, and warranty information

## COMPLIANCE INFORMATION

- All installations must comply with council and local authority by-laws. It is the responsibility of the installer to ensure that the waste drain is made watertight by means of silicone sealant or caulking compound.

## SAFETY

- Please do not have a steam bath and/or soaking bath immediately after drinking cold beverages and/or alcohol.
- Please do not have a steam bath and/or soaking bath immediately after sporting.
- Please pay attention to the temperature difference between the inside and outside of the bathroom to ensure that the difference is not *too large* before bathing
- Water temperature should be between 80° F and 90° F when bathing to avoid potential health risks.
- Bathing time should be around 15 to 20 minutes at most, preferably no longer than that.
- When having a soaking bath, ensure that the water level is no higher than your chest.
- Drink adequate amounts of water to ensure you are not dehydrated after a steam bath and/or soaking bath.
- Immediately leave the bathtub if you feel any sort of lightheadedness or discomfort.
- Steam baths are not suitable for anyone with heart disease, high blood pressure, diabetes, or while pregnant.
- Please do not use any sorts of electronics when in or using the bathtub.

## MAINTENANCE

*Most dirt will simply wash off with clean water.*

- For spots and stains, we recommend using liquid dish washing soap or bleach.  
(Caution: Do not use any industrial strength cleaner of any sort to clean the bathtub surfaces.)
- Use calcium remover to clean all chrome surfaces. (CAUTION: Avoid getting the calcium remover on the bathtub surface).

## REPAIR

*For Minor Scratches & Dulling:* Use liquid polisher such as Gel-Gloss or metal polish.

*For Deep Scratches or Burns:* Use very fine sandpaper (1500 grit) in a circular motion covering a wider area greater than the scratch. Always wet the sandpaper with water. Repeat until the scratch is eliminated. Finally, polish the area with polishing compound to bring back its original shine. Use a soft cloth and a small amount of polish to buff the surface. Repeat as needed.

## INSTALLATION REQUIREMENTS

### *Tools Required*

Adjustable Pipe Wrench



Adjustable Wrench



Utility Knife



Pliers



Ruler



Leveler



Safety Shoes



Safety Glasses



Screwdriver



### *Materials Required*

Plumbers Putty



Wall Coverings (as necessary)



Silicone Sealant/Cauling



Gypsum Cement (optional)



Construction Adhesive (optional)



Protective Covering For The Bathtub



Nails



## INSTALLATION NOTE

-Read the entire installation manual before beginning the installation. If installing a rim-mount faucet, make sure there is no interference with the overflow drain before drilling any holes.

-Position a protective covering or similar material in the bottom of the unit to protect the bathtub's surface from being scratched.

## CLEARANCE REQUIREMENTS

-Measure the area you intent to install the bathtub to ensure you have adequate space available for the install.

## SITE REQUIREMENTS

### *Subfloor Preparation:*

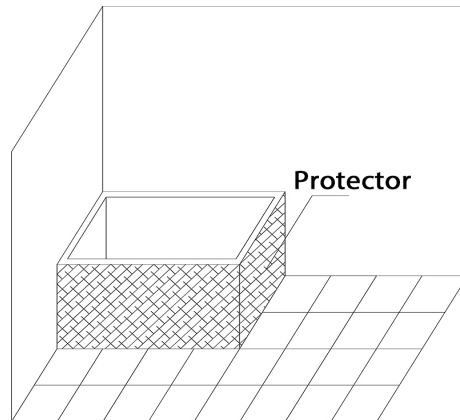
-Check the flooring where the bathtub is going to be installed and make repairs as needed. Make sure the subfloor is level. It is strongly recommended to prepare a waterproof layer for the subfloor beforehand.

## INSTALLATION STEPS

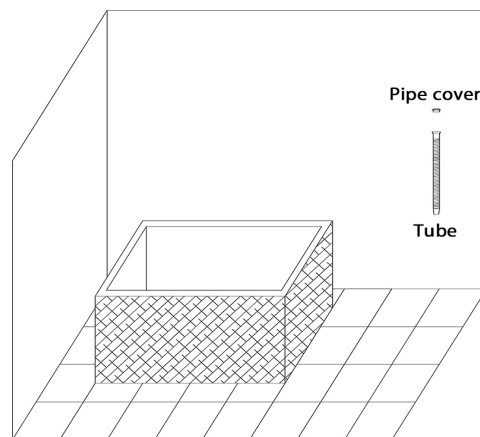
*This installation is meant for a certified plumber to install the bathtub and the plumbing needed for this bathtub.*

1.) Remove the Free Standing Bathtub from the wooden crate.

-To ensure that the Free Standing Bathtub does not come in contact with rough surfaces and get scratched, please remember to always protect it and place it on cloth/carpets.



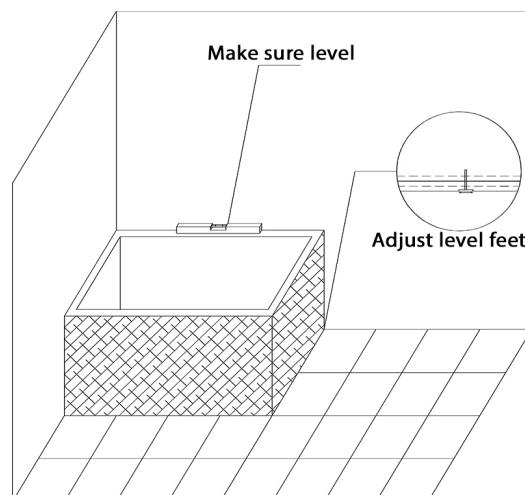
2.) Place the Free Standing Bathtub in the position you plan to install it.



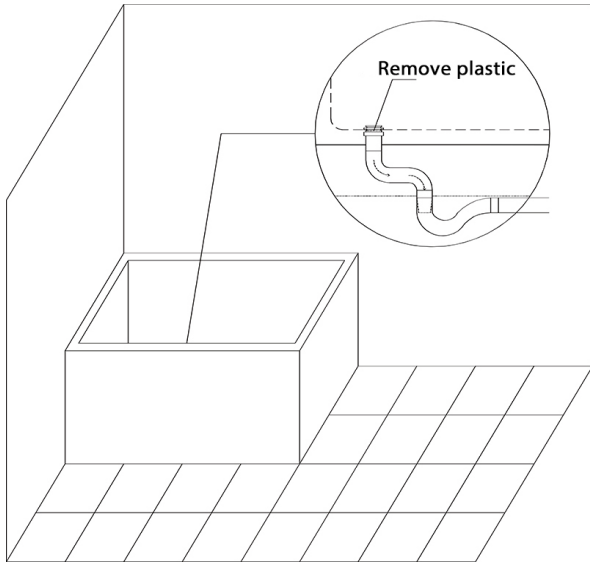
3.) Adjust the self-leveling feet until the Free Standing Bathtub is leveled.

- Ensure that the adjustable feet on the bathtub is a line with the floor

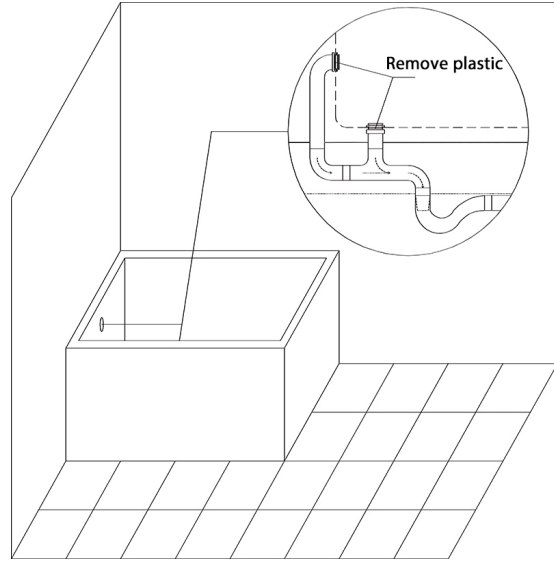
**\*NOTE\*:** *The Free Standing Bathtub will only drain properly if it is leveled.*



4.) Connect the Free Standing Bathtub to the waste outlet. (Use plumbers putty if applicable)



*Without Overflow*

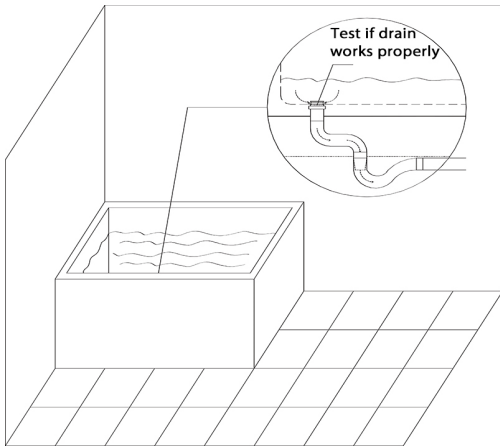


*With Overflow*

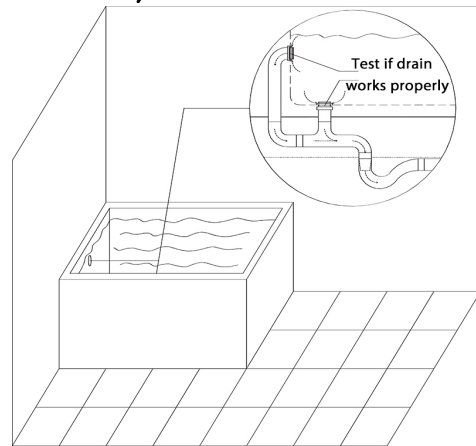
5.) Test the drainage to ensure that the water drains properly.

-Fill the Free Standing Bathtub with water and check that *ALL* the water flows freely to the waste outlet. (A small amount of water may pool due to surface tension.)

**\*NOTE\*:** Please make sure that all the masking plastic adhered to your drain is removed.

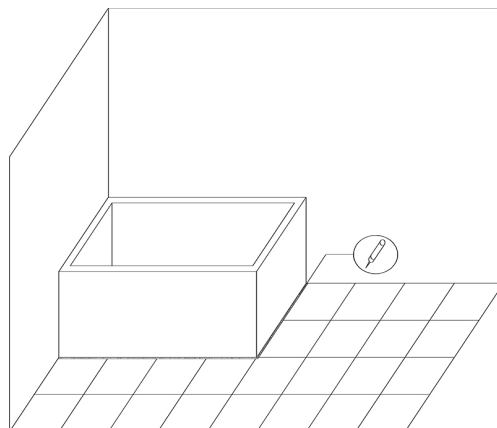


*Without Overflow*



*With Overflow*

6.) Apply a thick bead of silicone/caulking to the outline of the bathtub and allow it to set for 24 hours.



**\*NOTE\*:** This installation is meant for a certified plumber to install the bathtub and the plumbing needed for this bathtub.

# SHOPRANGEHOODS.COM BATHTUB WARRANTY

## LIMITED WARRANTY

www.shoprangehoods.com will pay for Factory Specified Parts for one (1) year from the date of purchase, when this major appliance is operated and maintained according to instructions attached to or furnished with the product. This limited warranty is valid only in the United States and Canada, and applies only when the bathtub is used in the country in which it was purchased. Outside the 50 United States and Canada, this limited warranty does not apply. Proof of original purchase date is required to obtain service under this limited warranty.

## ITEMS EXCLUDED FROM WARRANTY

**This warranty does not cover:**

1. Service calls to correct the installation of your major appliance; instruction on how to use your major appliance; replacement or repair of house fuses; or to correct house wiring or plumbing.
2. Consumable parts are excluded from warranty coverage.
3. Repairs when your bathtub is used for anything other than standard, single-family household use or when it is used in a manner that is contrary to published user/operator instructions and/or installation instructions.
4. Damage resulting from accident, alteration, misuse, abuse, fire, flood, acts of God, improper installation, installation not in accordance with electrical or plumbing codes, or use of consumables or cleaning products not approved by www.shoprangehoods.com.
5. Cosmetic damage, including scratches, dents, chips or other damage to the finish of your major appliance, unless such damage results from defects in materials or workmanship and is reported to www.shoprangehoods.com within 30 days from the date of purchase.
6. Costs associated with the removal from your home of your bathtub for repairs. This bathtub is designed to be repaired in the home and only in-home service is covered by this warranty.
7. Repairs to parts or systems resulting from unauthorized modifications made to the appliance.
8. Removal and reinstallation of your bathtub if it is installed in an inaccessible location or is not installed in accordance with published installation instructions.
9. Bathtub with original model/serial numbers that have been removed, altered or cannot be easily determined. This warranty is void if the factory applied serial number has been altered or removed from your bathtub. The cost of repair or replacement under these excluded circumstances shall be borne by the customer.

**DISCLAIMER OF IMPLIED WARRANTIES; LIMITATION OF REMEDIES** CUSTOMER'S SOLE AND EXCLUSIVE REMEDY UNDER THIS LIMITED WARRANTY SHALL BE PRODUCT REPAIR AS PROVIDED HEREIN. IMPLIED WARRANTIES, INCLUDING WARRANTIES OF MERCHANTABILITY OR FITNESS FOR A PARTICULAR PURPOSE, ARE LIMITED TO ONE YEAR OR THE SHORTEST PERIOD ALLOWED BY LAW. WWW.SHOPRANGEHOODS.COM SHALL NOT BE LIABLE FOR INCIDENTAL OR CONSEQUENTIAL DAMAGES. SOME STATES AND PROVINCES DO NOT ALLOW THE EXCLUSION OR LIMITATION OF INCIDENTAL OR CONSEQUENTIAL DAMAGES, OR LIMITATIONS ON THE DURATION OF IMPLIED WARRANTIES OF MERCHANTABILITY OR FITNESS, SO THESE EXCLUSIONS OR LIMITATIONS MAY NOT APPLY TO YOU. THIS WARRANTY GIVES YOU SPECIFIC LEGAL RIGHTS, AND YOU MAY ALSO HAVE OTHER RIGHTS WHICH VARY FROM STATE TO STATE OR PROVINCE TO PROVINCE.

If you need service, first see the "Maintenance" and "Repair" section of the User Manual. After checking "Troubleshooting," you may find additional help by calling www.shoprangehoods.com. In the United States, call **626-453-0550** or visit our website at www.ShopRangeHoods.com. **Keep this book and your sales slip together for future reference. You must provide proof of purchase or installation date for in-warranty service.** Write down the following information about your major appliance to better help you obtain assistance or service if you ever need it. You will need to know your complete model number and serial number. You can find this information on the model and serial number label located on the product.

Dealer name \_\_\_\_\_  
Address \_\_\_\_\_  
Phone number \_\_\_\_\_  
Model number \_\_\_\_\_  
Serial number \_\_\_\_\_  
Purchase date \_\_\_\_\_

## Contact Us

**Email:** support@shoprangehoods.com

**Telephone:** (626)-453-0550

**Hours of Operation:** Monday-Friday from 9AM-5PM (PST)