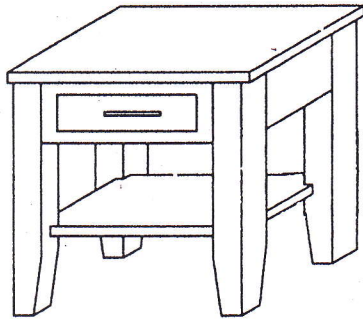


3609

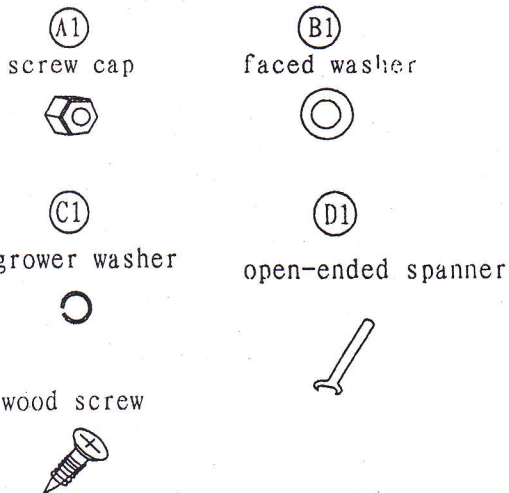
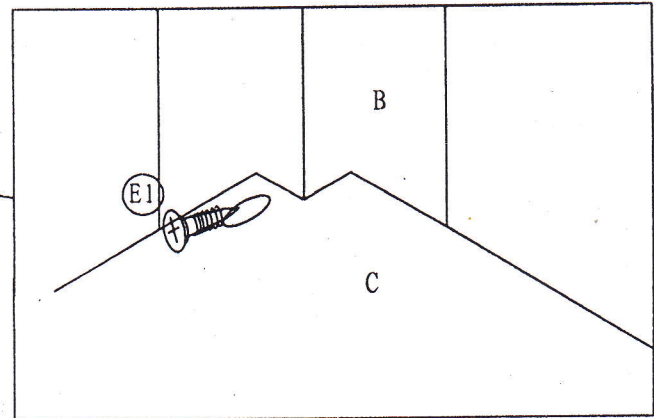
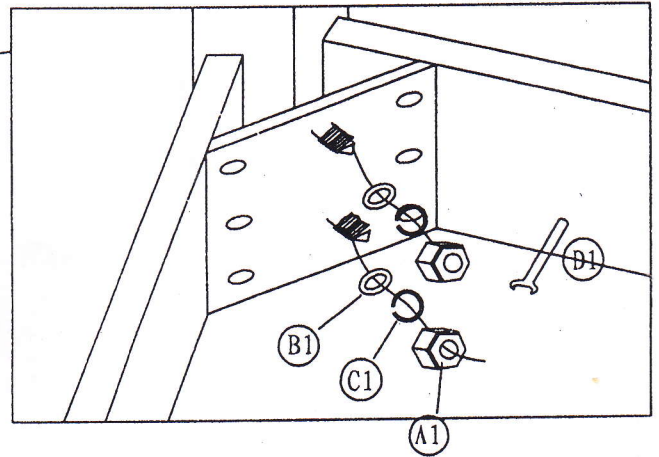
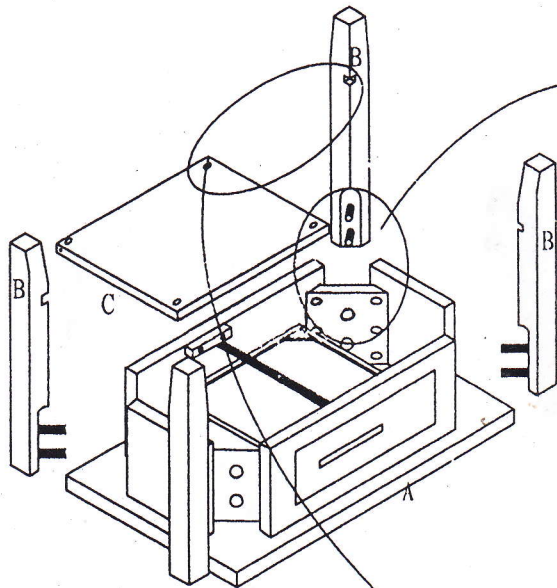
# ASSEMBLY INSTRUCTIONS



ITEM: #QD001ET

## PARTS LIST

REF.	PART NAME	QUANTITY
A	table top	1
B	legs	4
C	shelf-bottom	1
A1	screw cap	8
B1	faced washer	8
C1	grower washer	8
D1	open-ended	1
E1	wood screw	4



### IMPORTANT NOTE:

-PLACE ALL WOODEN PARTS ON A CLEAN AND SMOOTH SURFACE SUCH AS A CARPET TO AVOID THE PARTS FROM BEING SCRATCHED.

-BEFORE YOU BEGIN, KINDLY FOLLOW THE ASSEMBLY INSTRUCTION STEP BY STEP.

-KEEP ALL HARDWARE PARTS OUT OF REACH OF CHILDREN