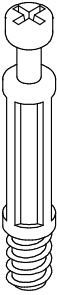
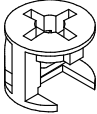
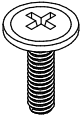
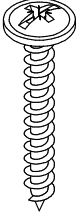
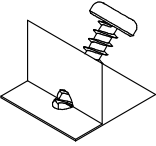
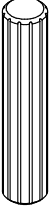


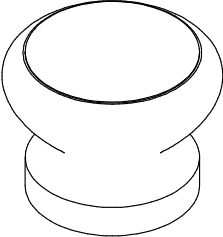
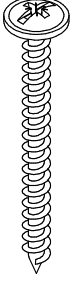


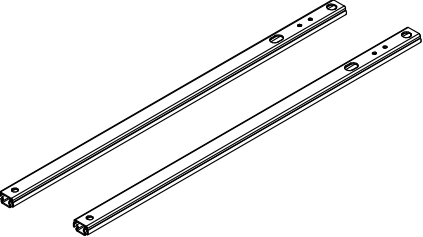
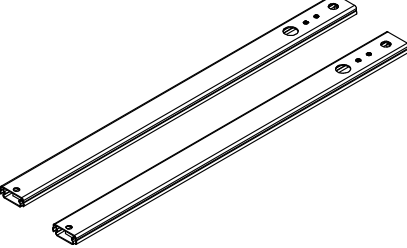
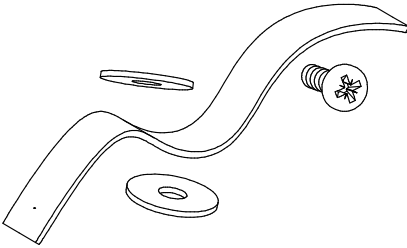
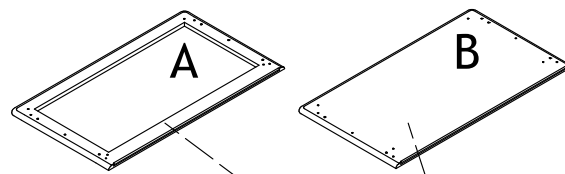


<p>BA10602 x30 5x34/8 mm</p> 	<p>BA10596 x30 ø12x9,5 mm</p> 	<p>BA10210 x10 M4x12 mm</p> 	<p>BA10170 x28 ø4,0x35 mm</p> 	<p>BA10833 x16 15x15x10 mm</p> 	<p>BA10400 x20 ø6x30 mm</p> 
<p>BA10270 x24 ø5,8x8 mm</p> 	<p>BA10025 x50 ø1,2x20 mm</p> 	<p>BA10465 x8 ø40x30 mm</p> 	<p>BA10181 x4 ø4,0x45 mm</p> 	<p>BA10623 x6 M4x6 mm</p> 	<p>BA10620 x3 ø5/M4x10 mm</p> 
<p>B14362 x2 17x374 mm</p> 		<p>B14363 x3 27x374 mm</p> 		<p>BA182002 x1</p> 	

1

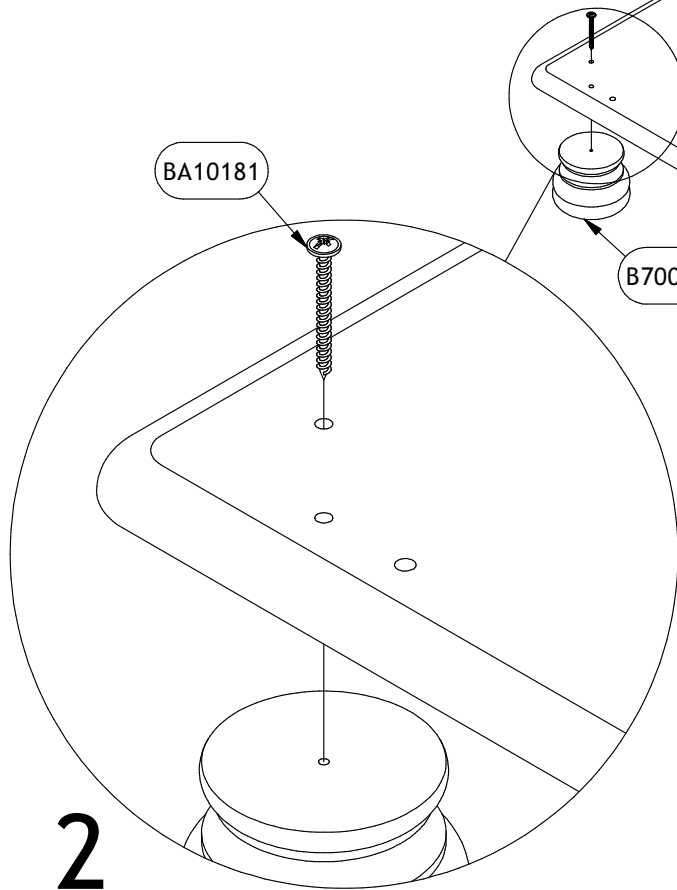


V156123

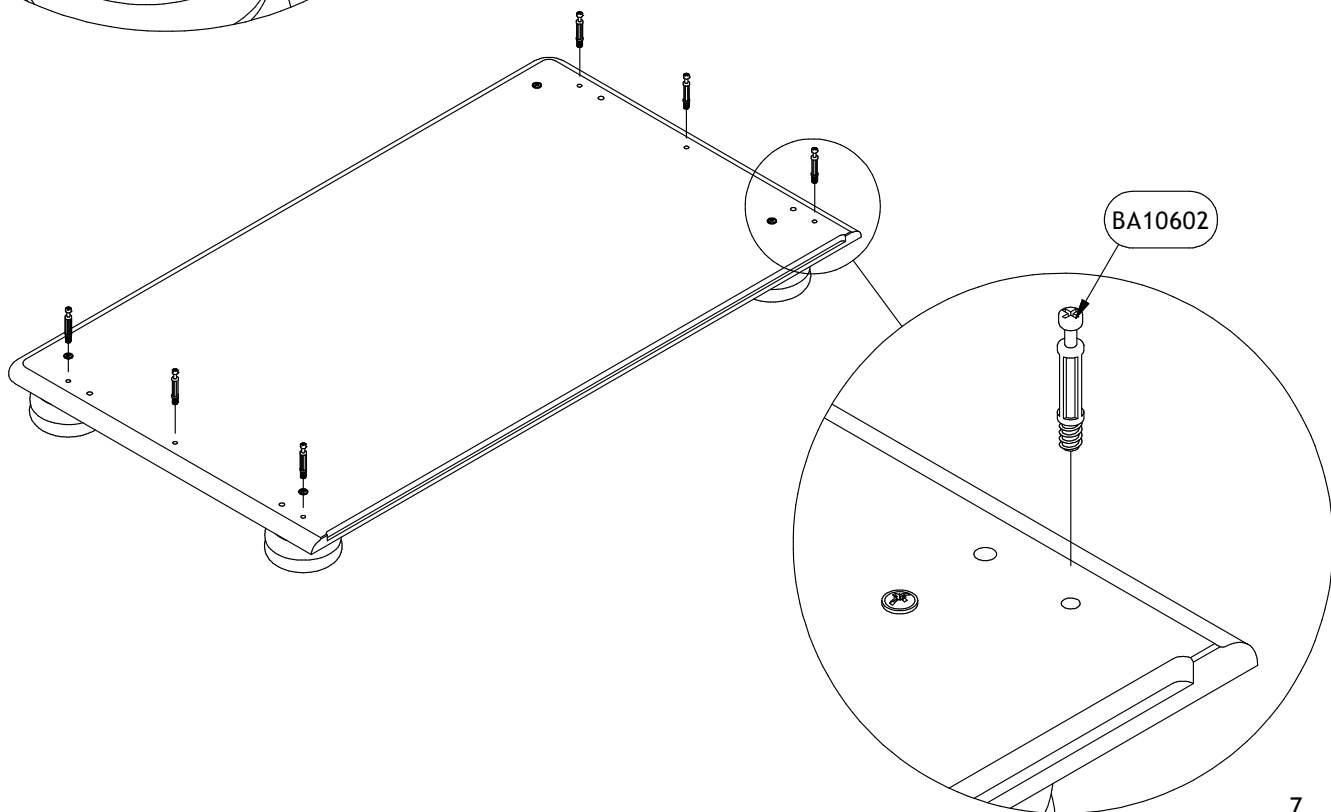
A/B

BA10181

B70003

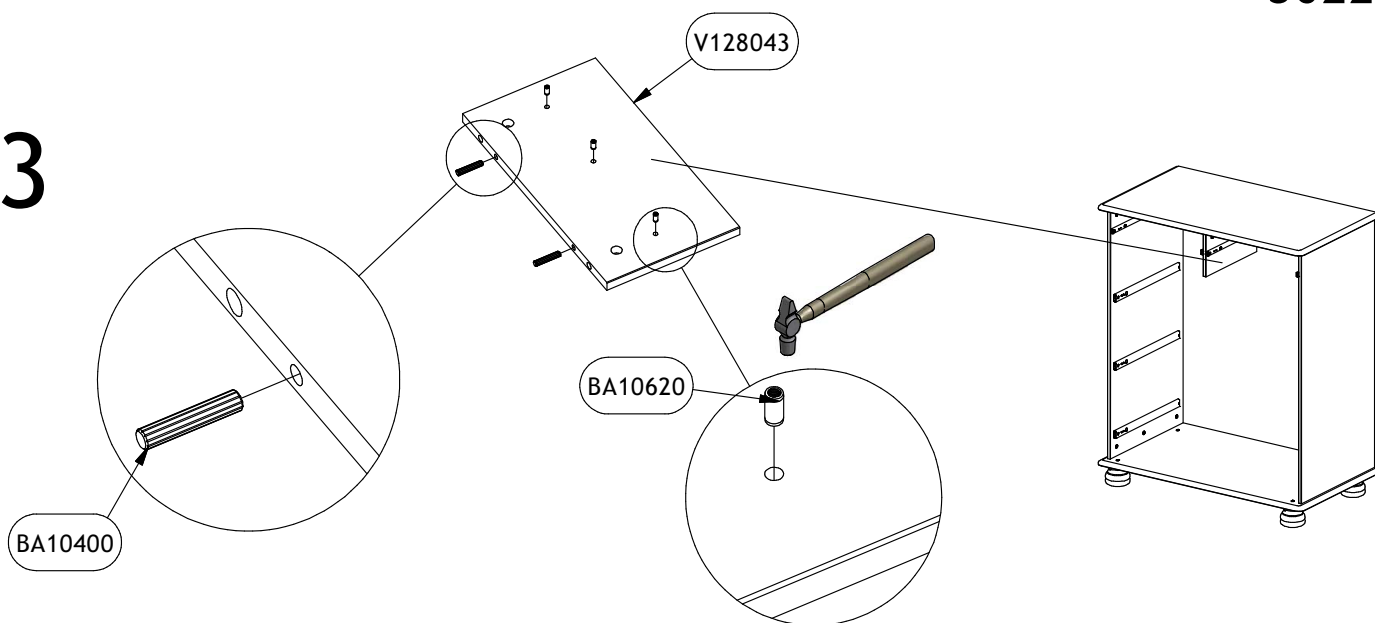


2

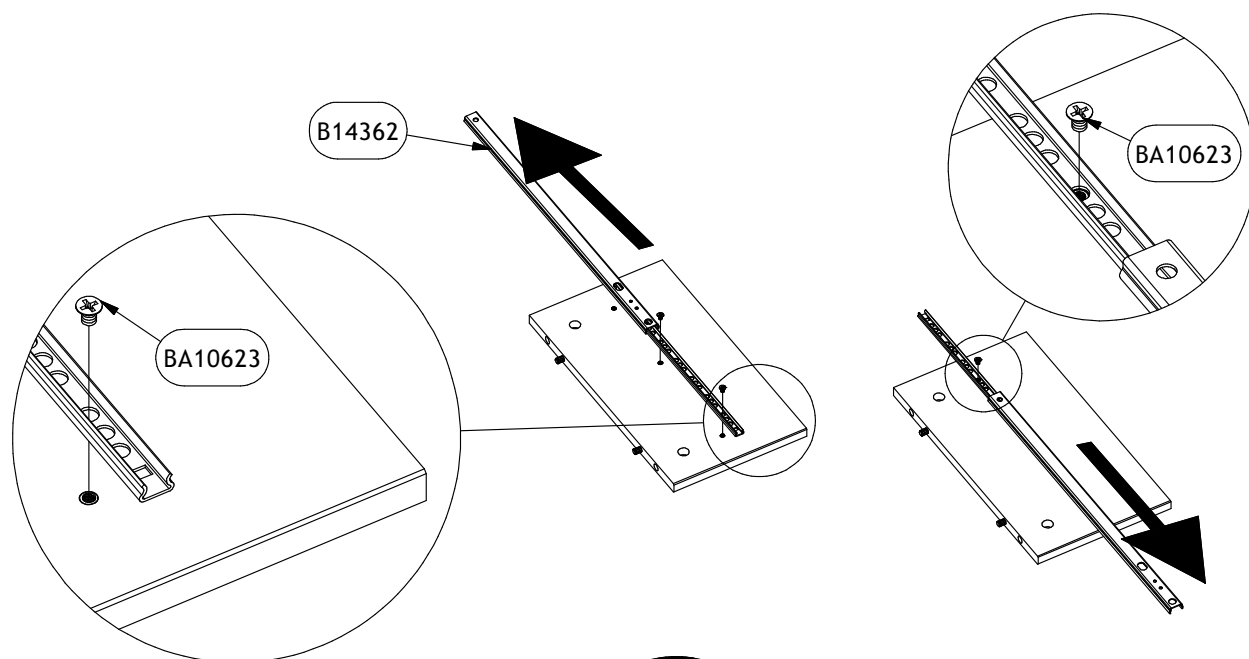


BA10602

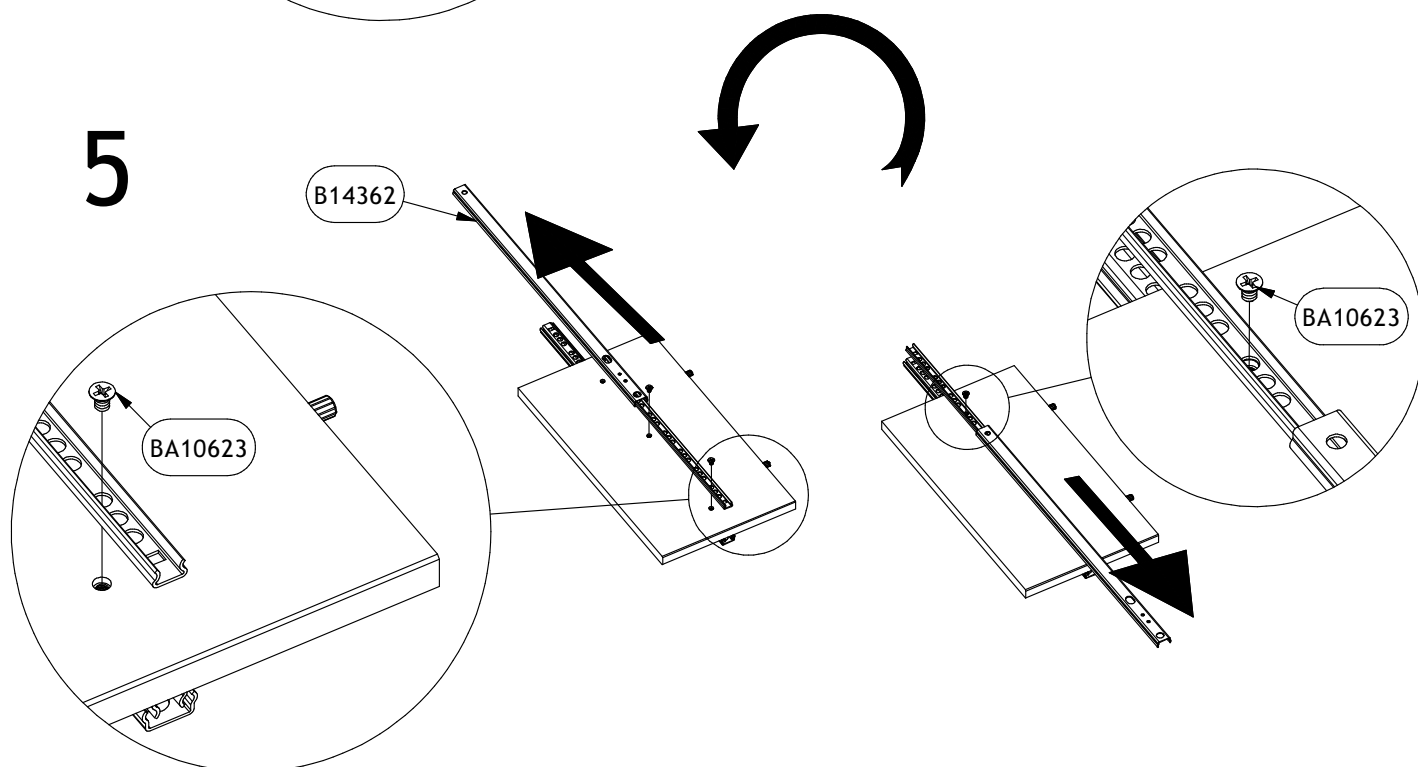
3



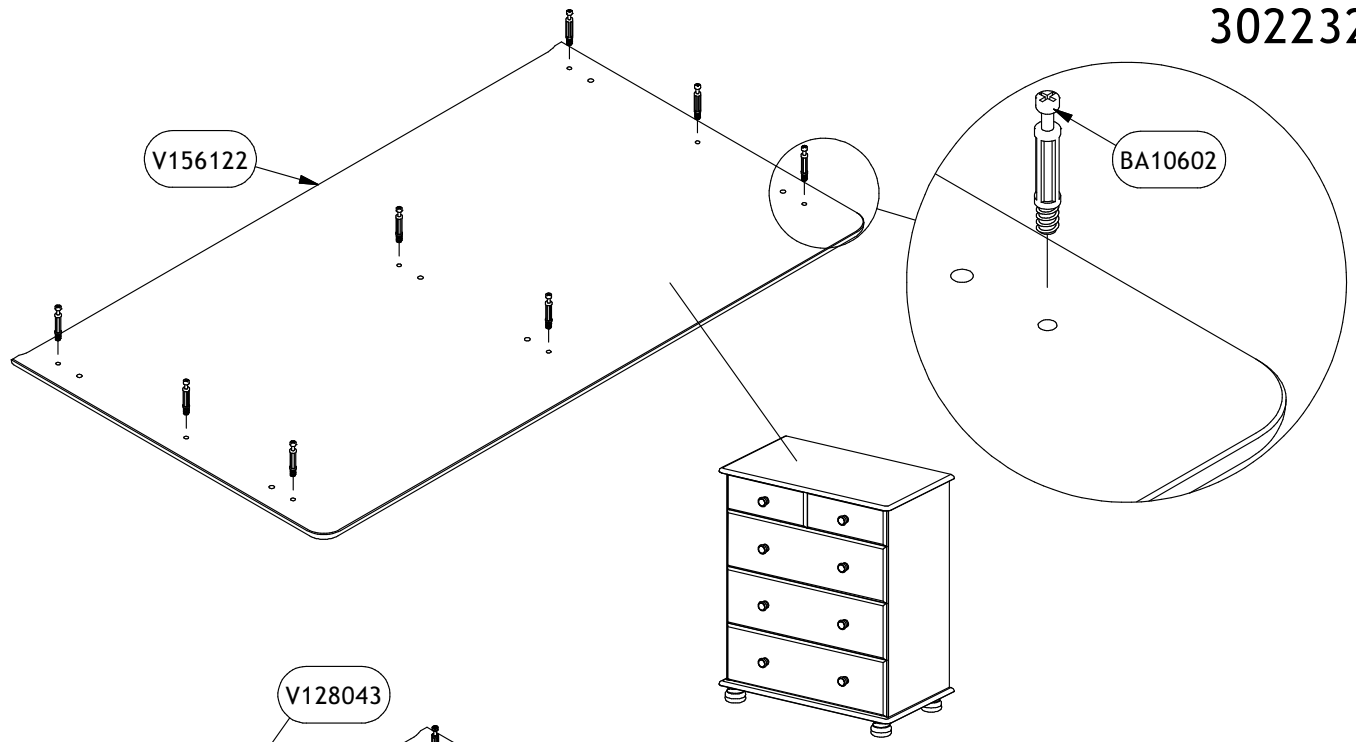
4



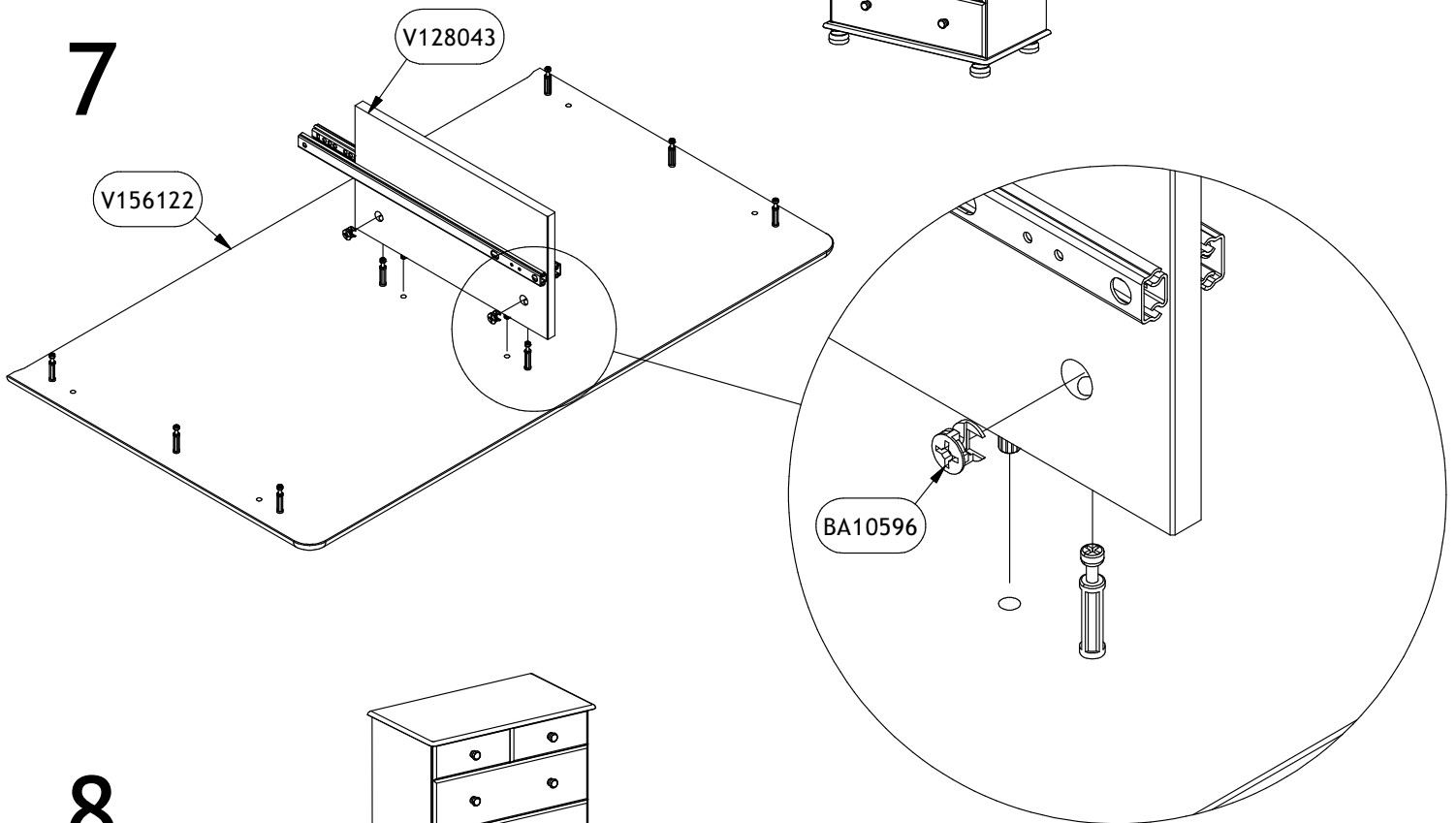
5



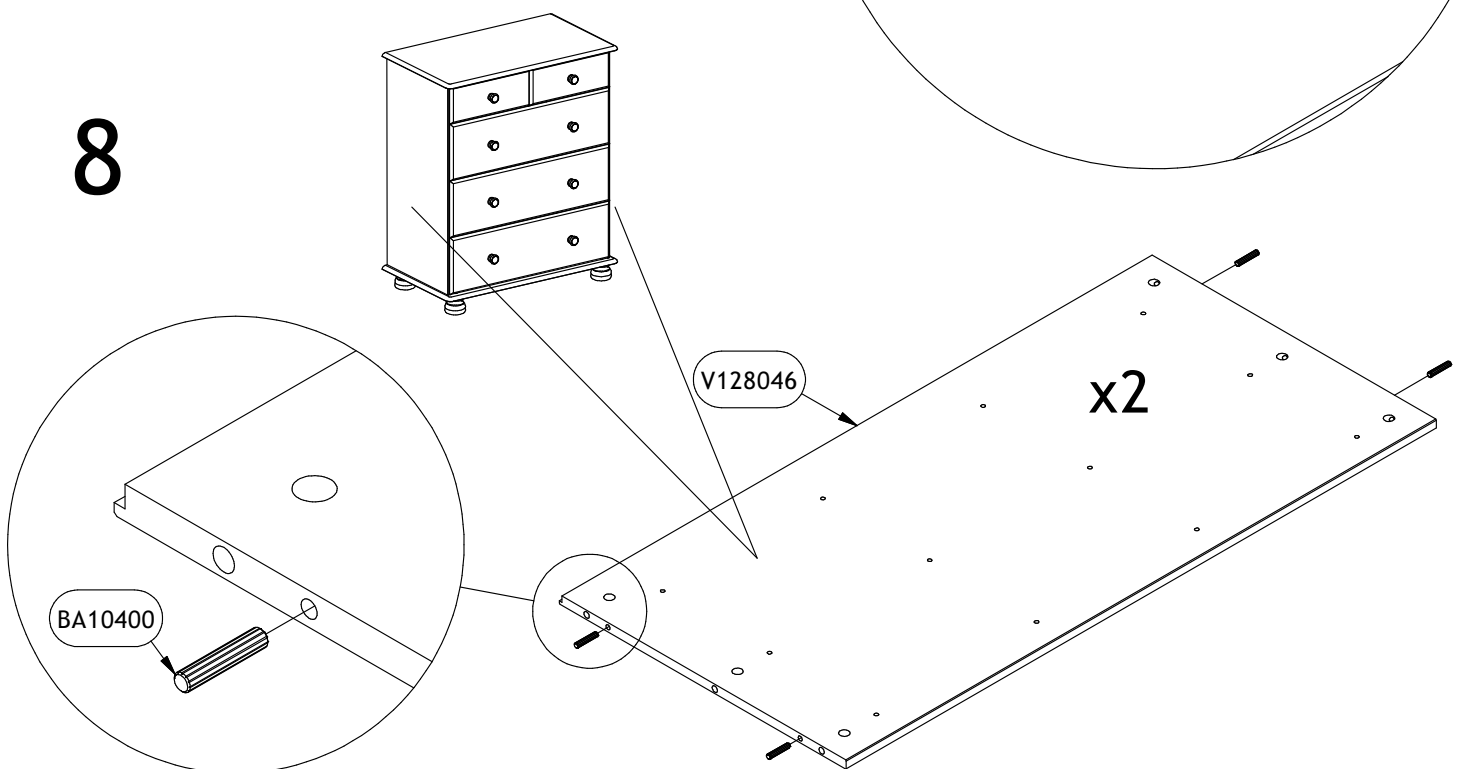
6

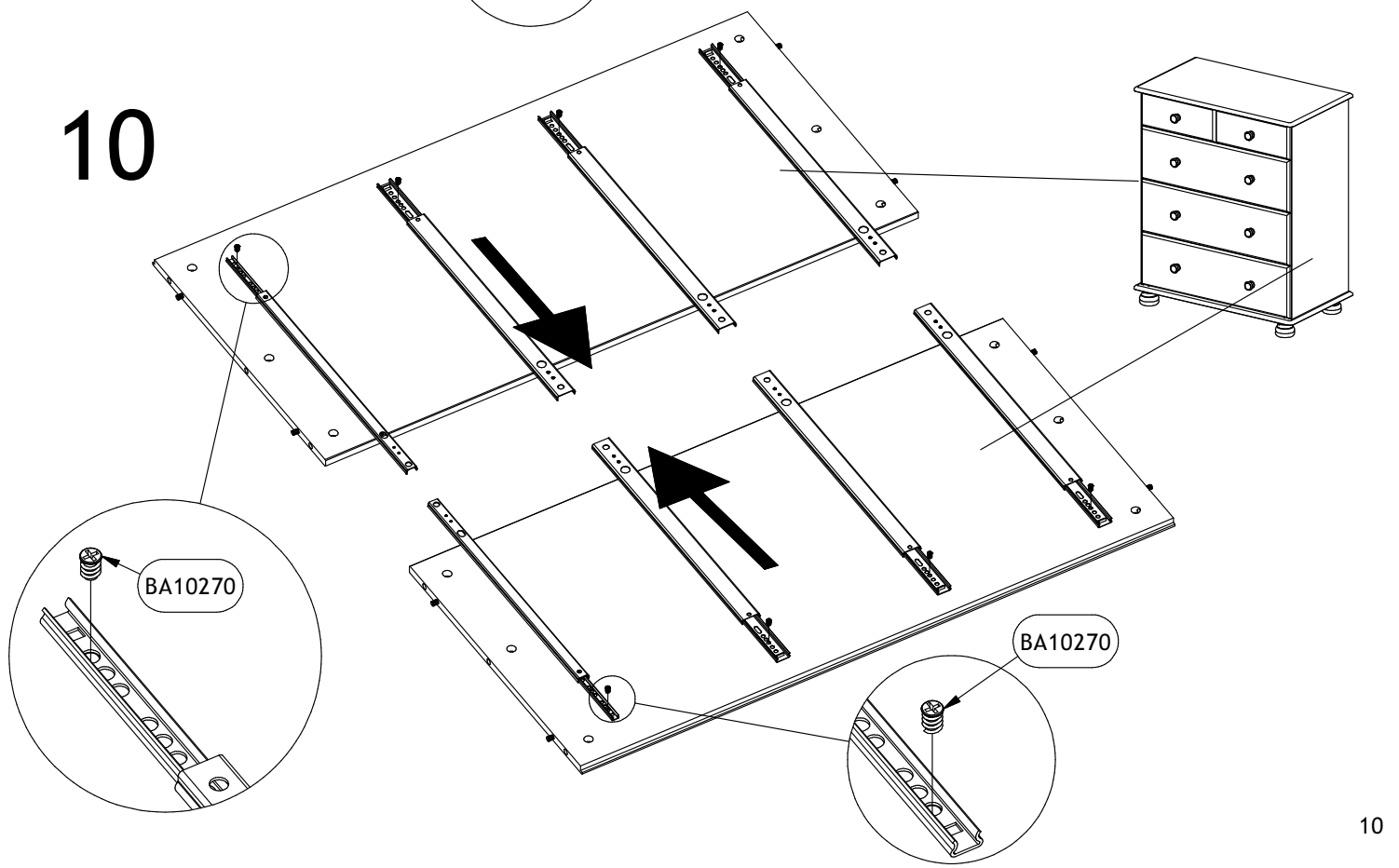
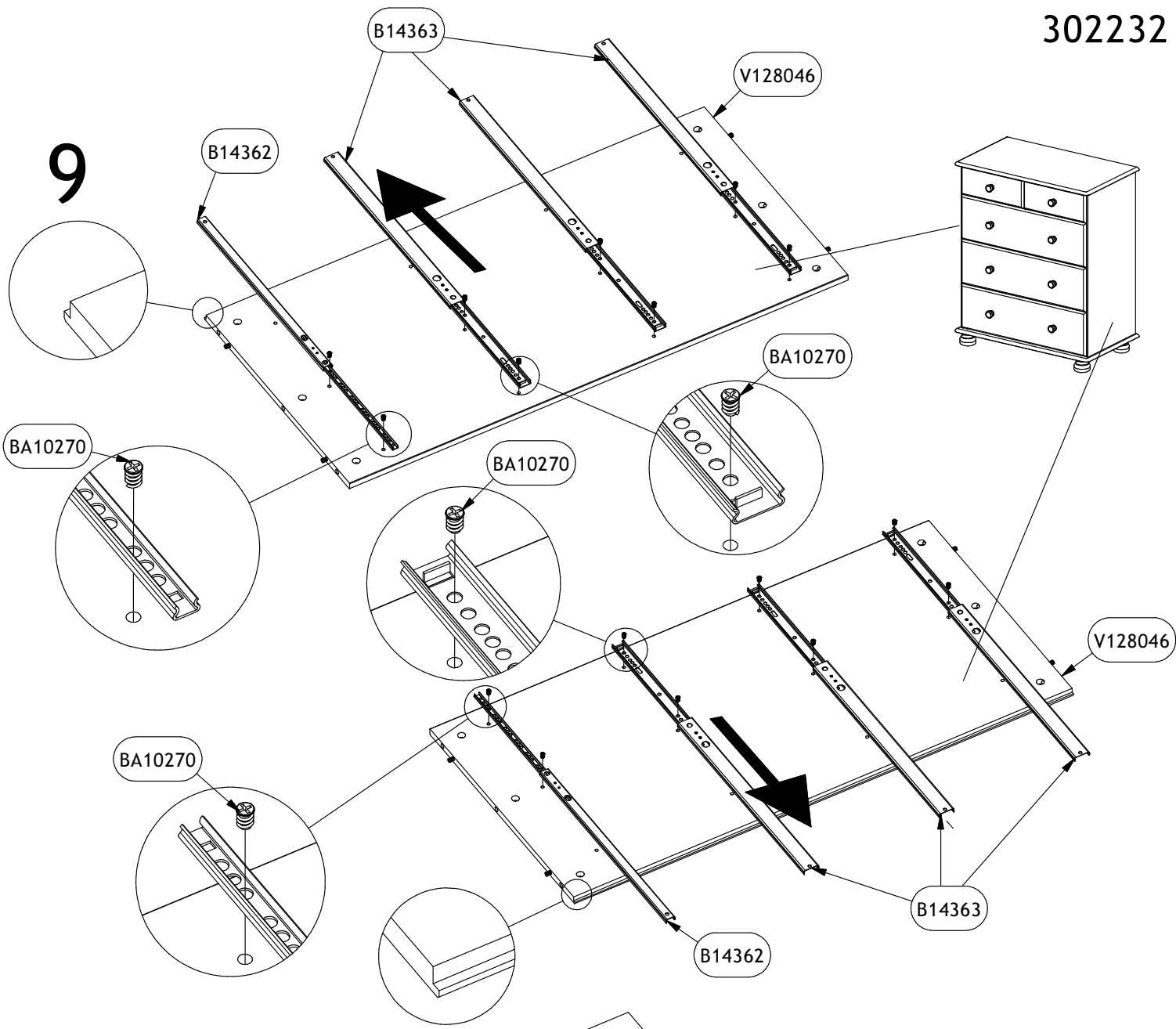


7

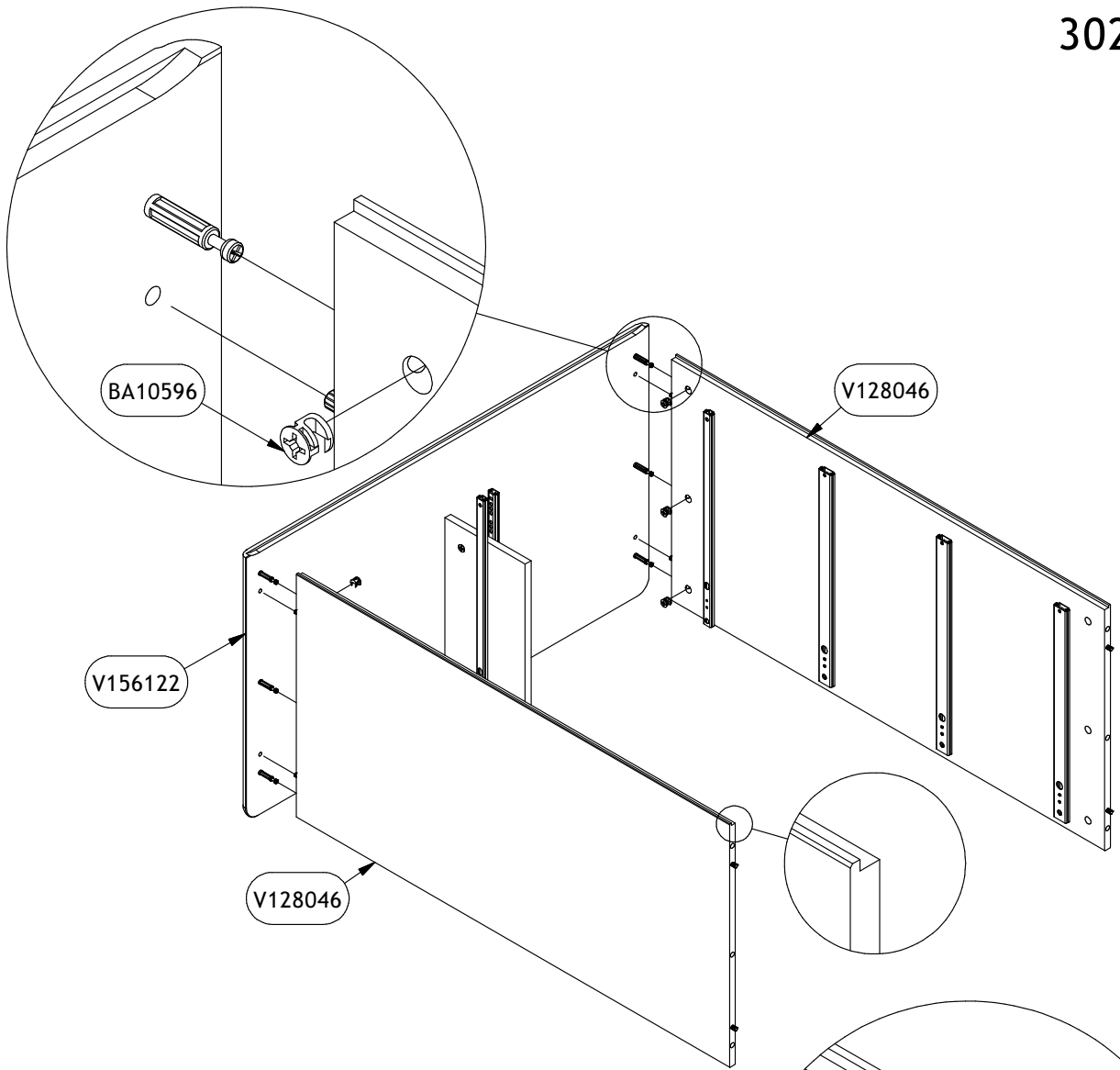


8

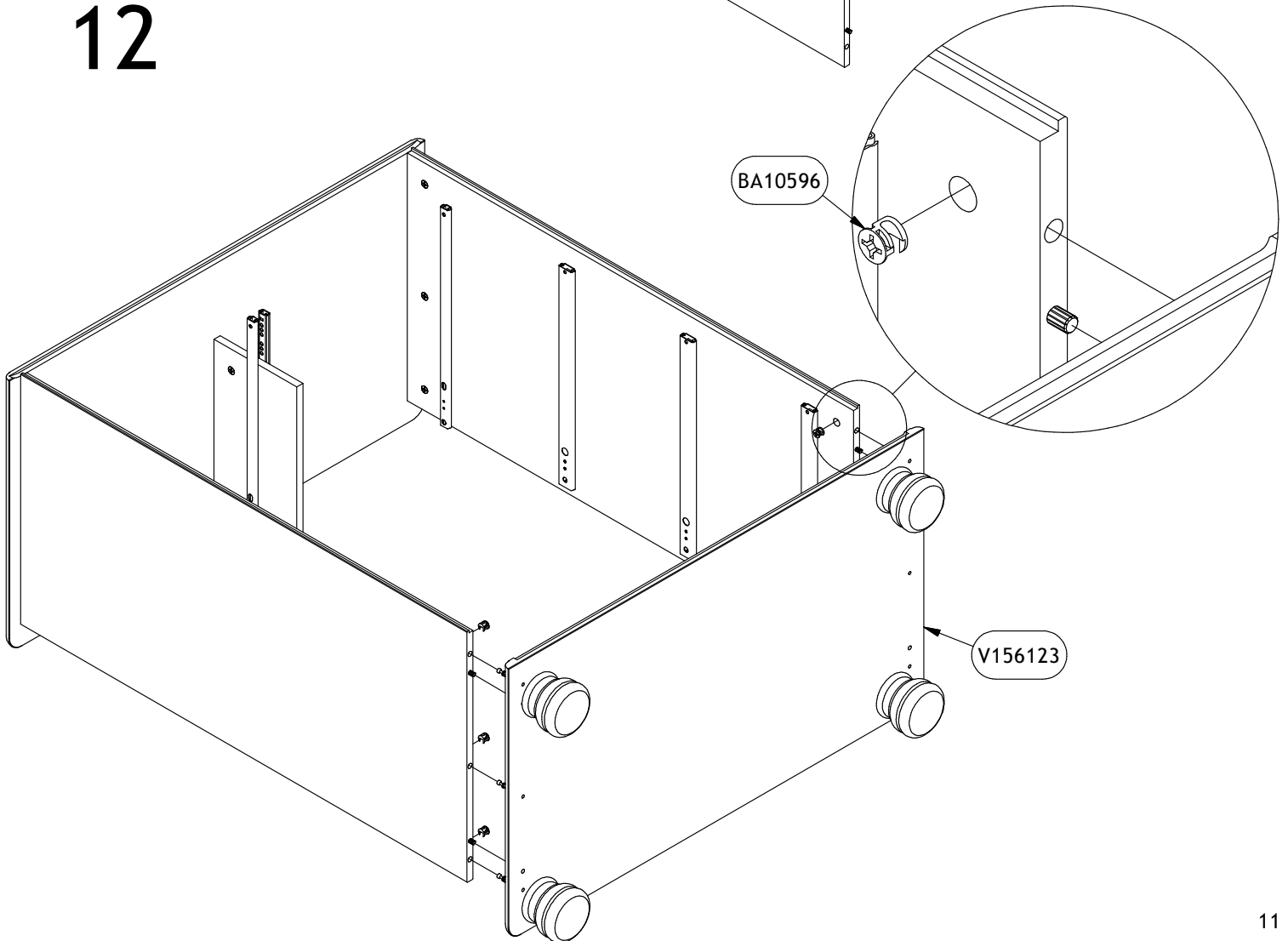




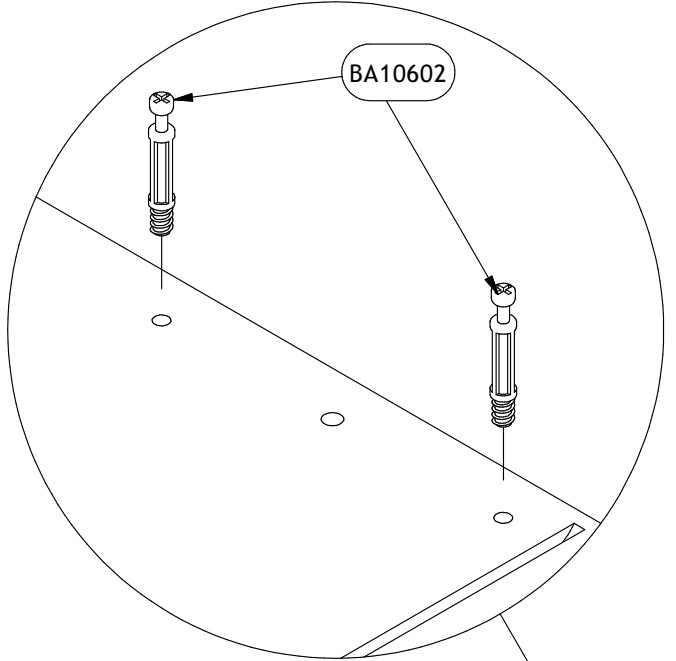
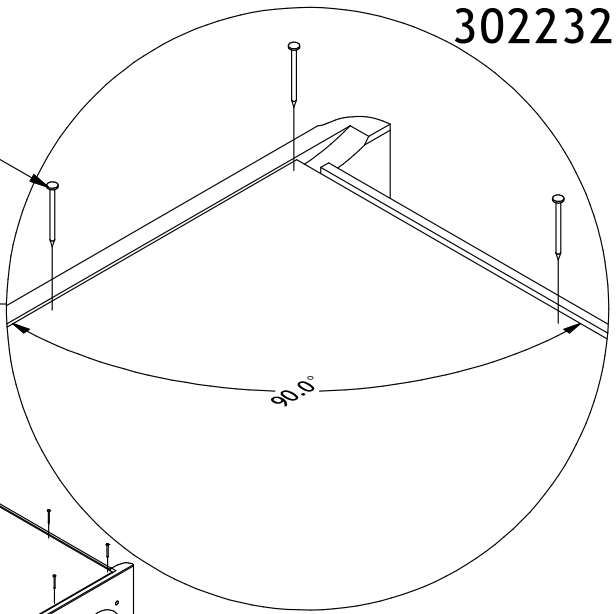
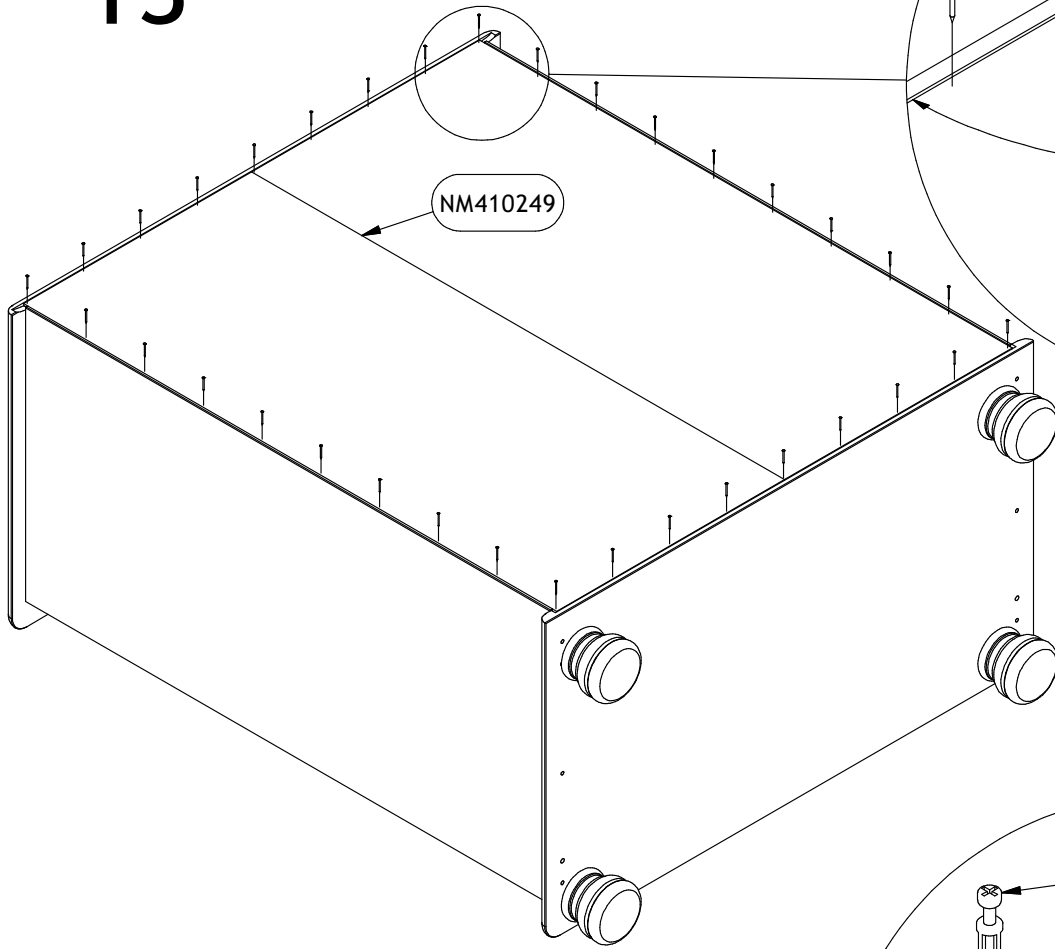
11



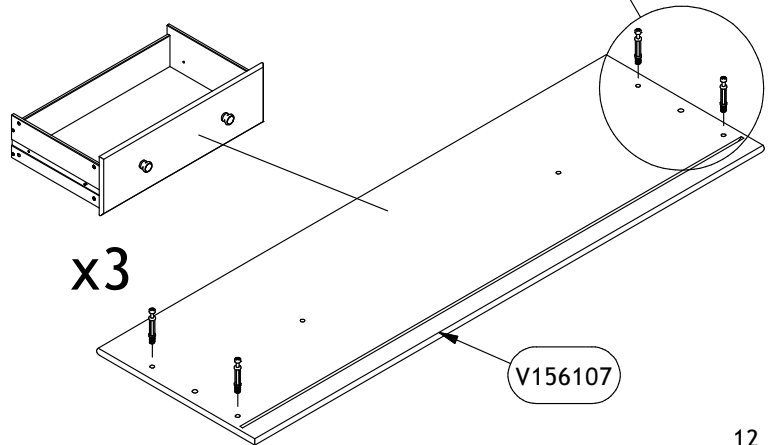
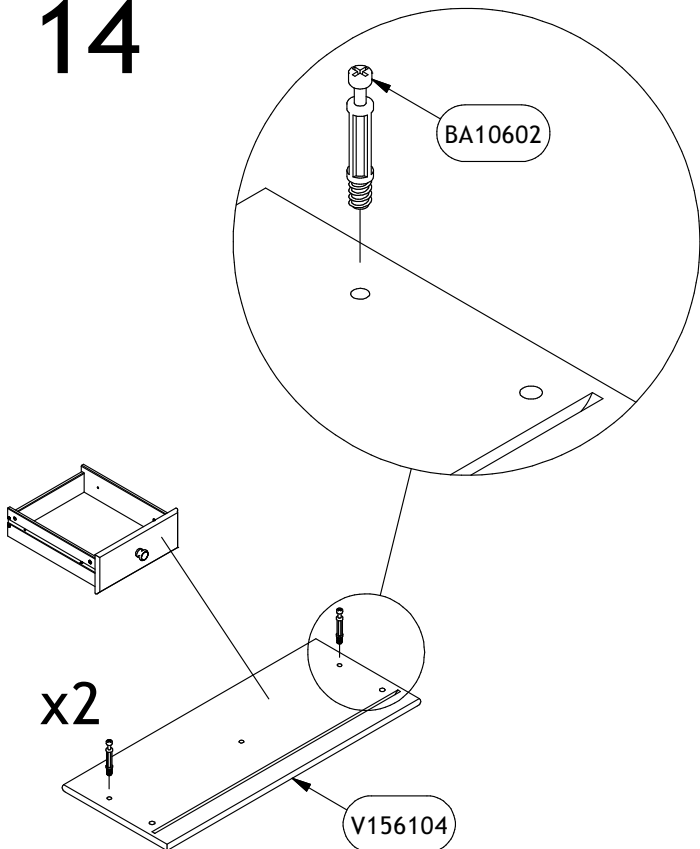
12



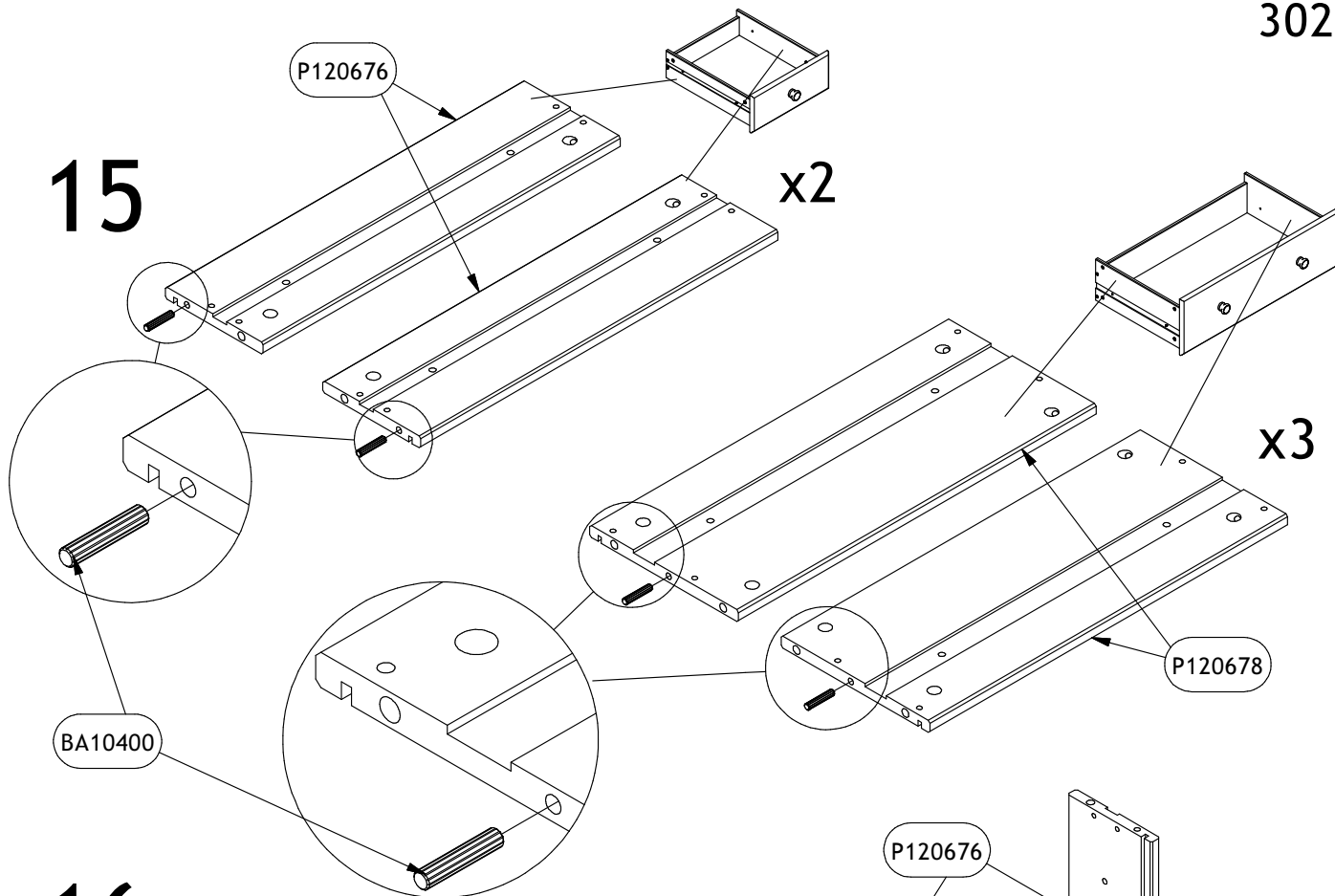
13



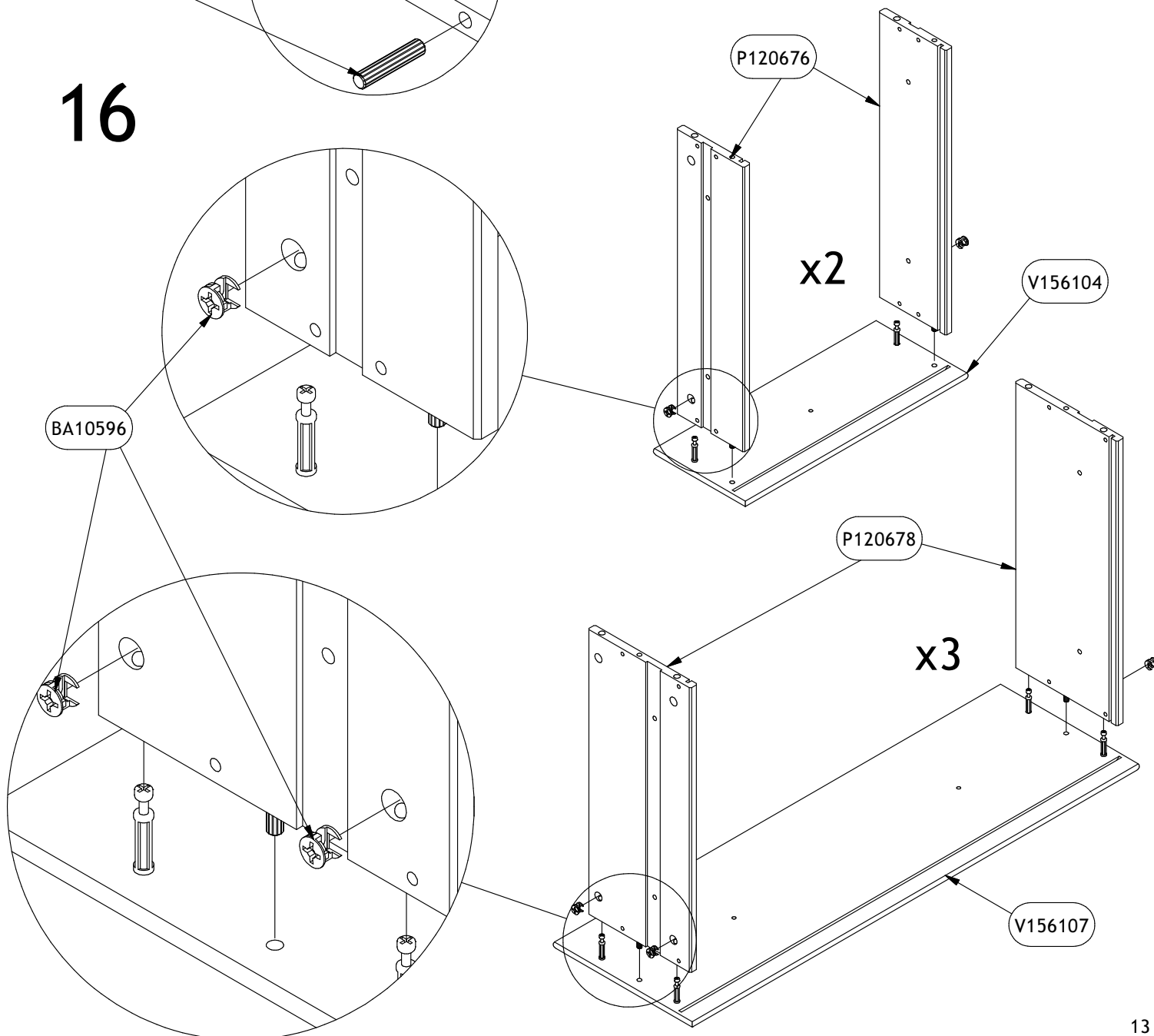
14



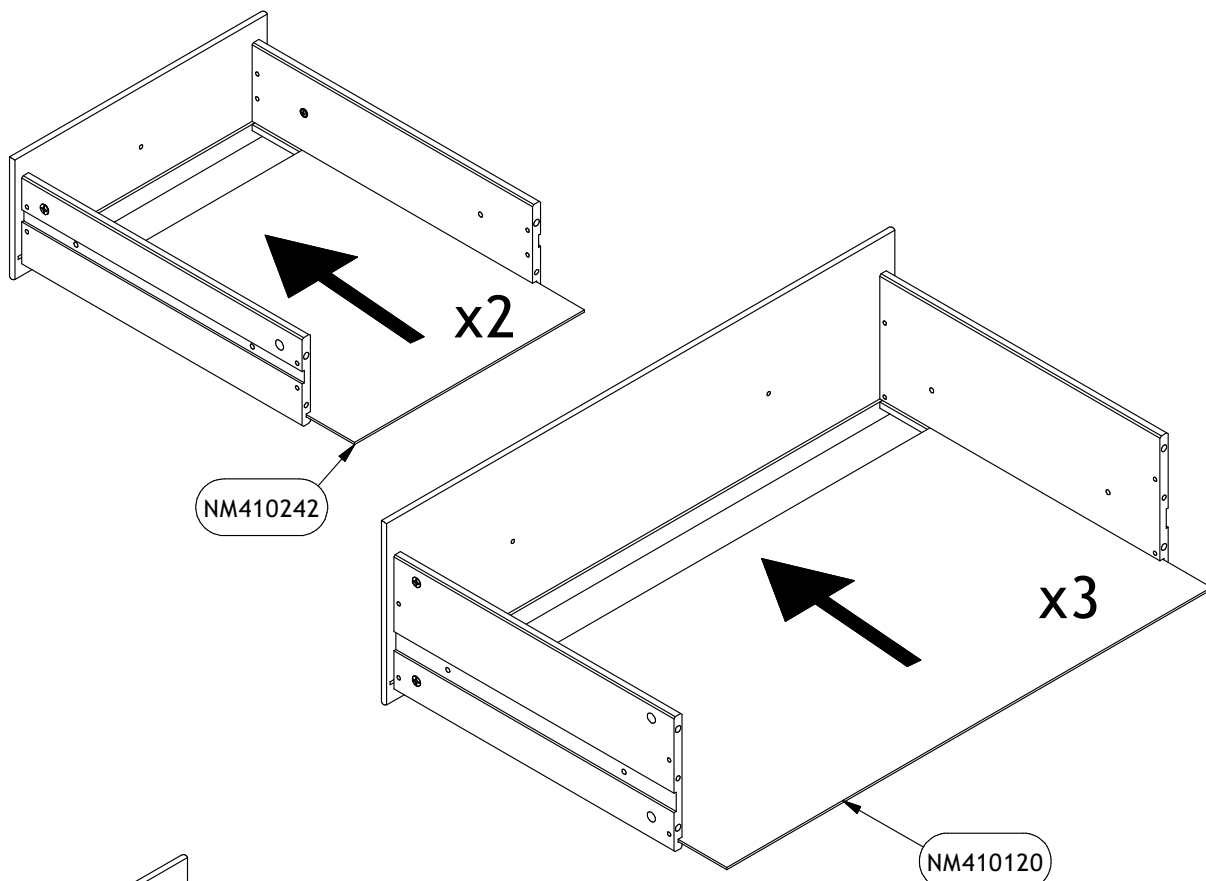
15



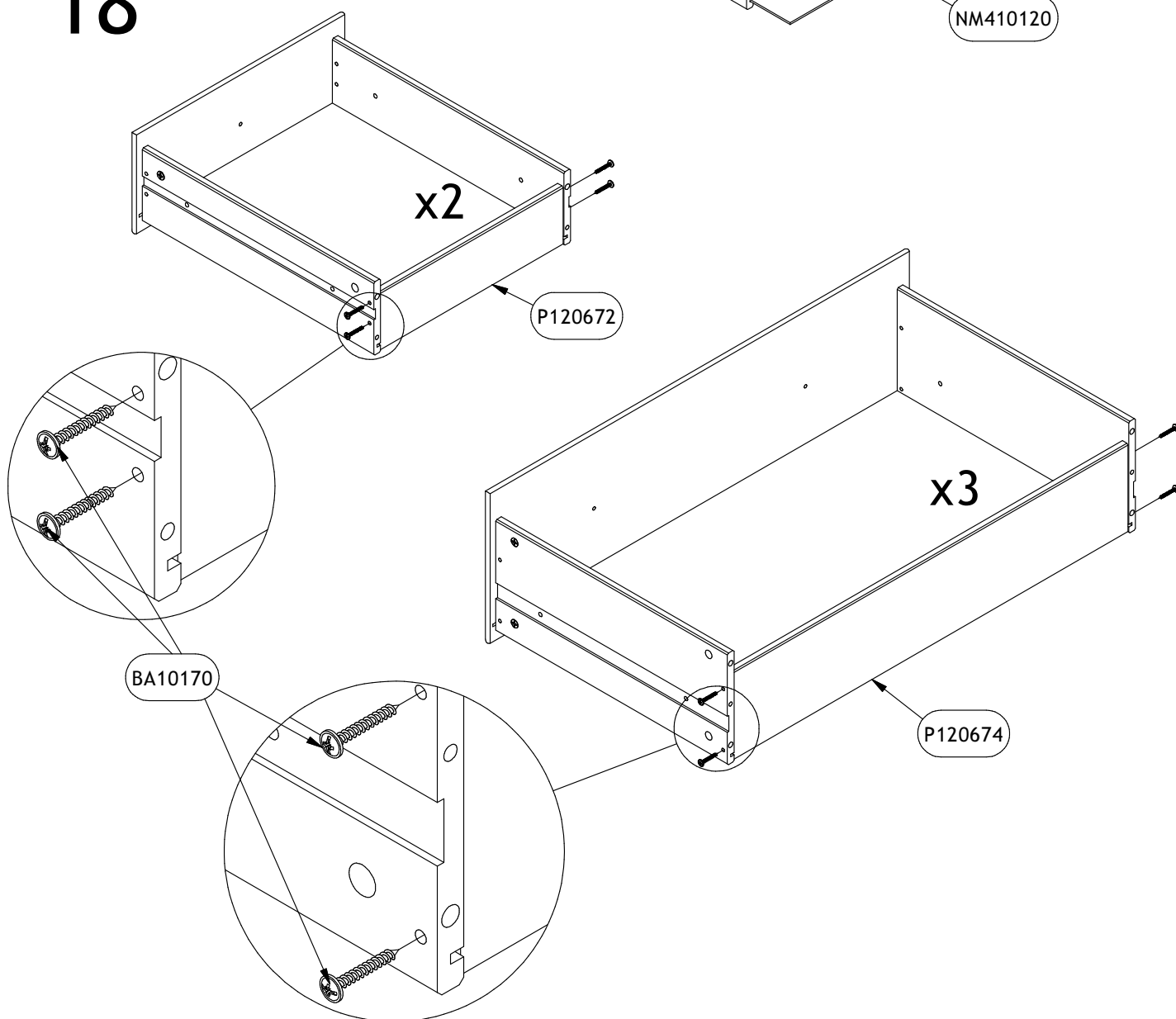
16

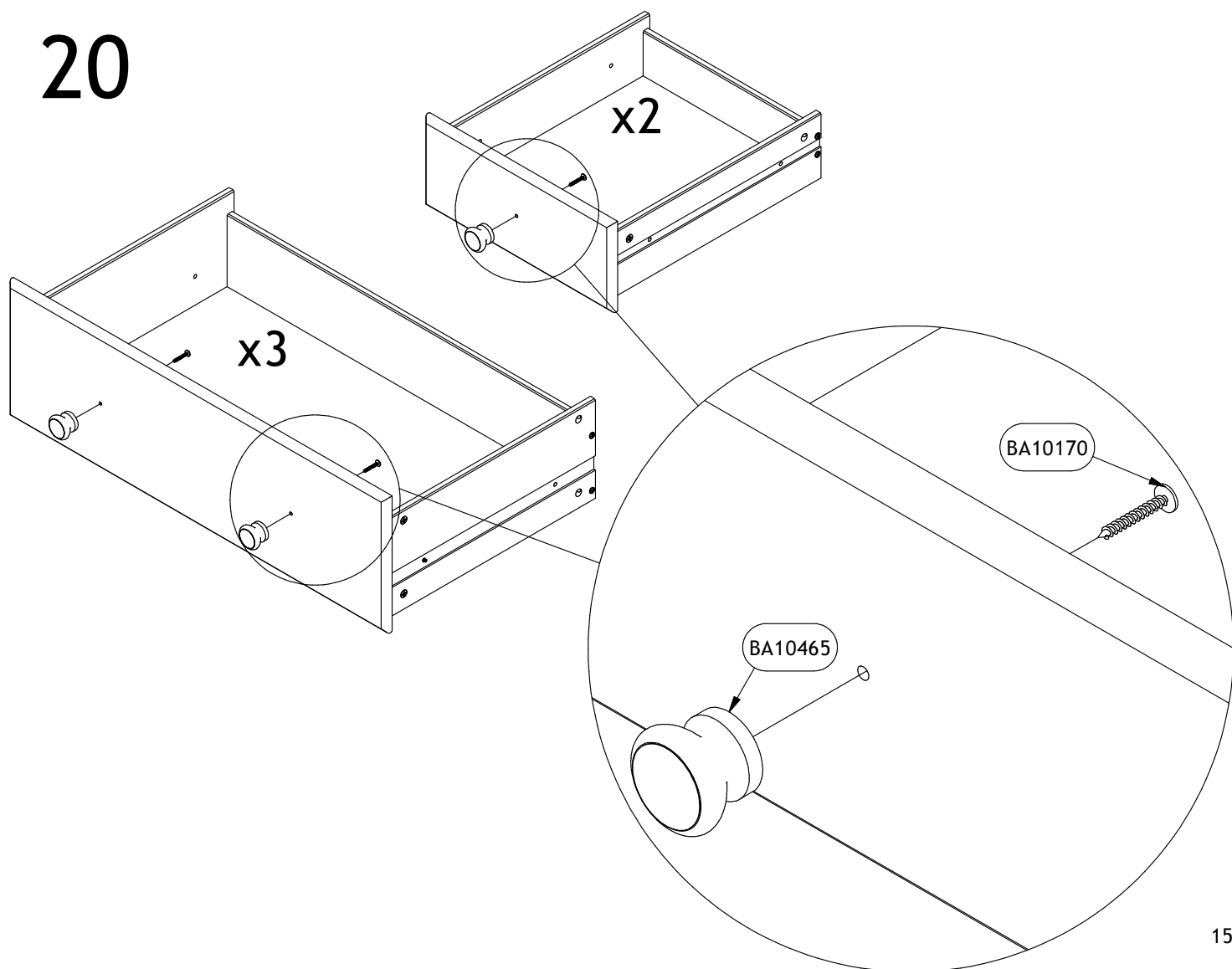
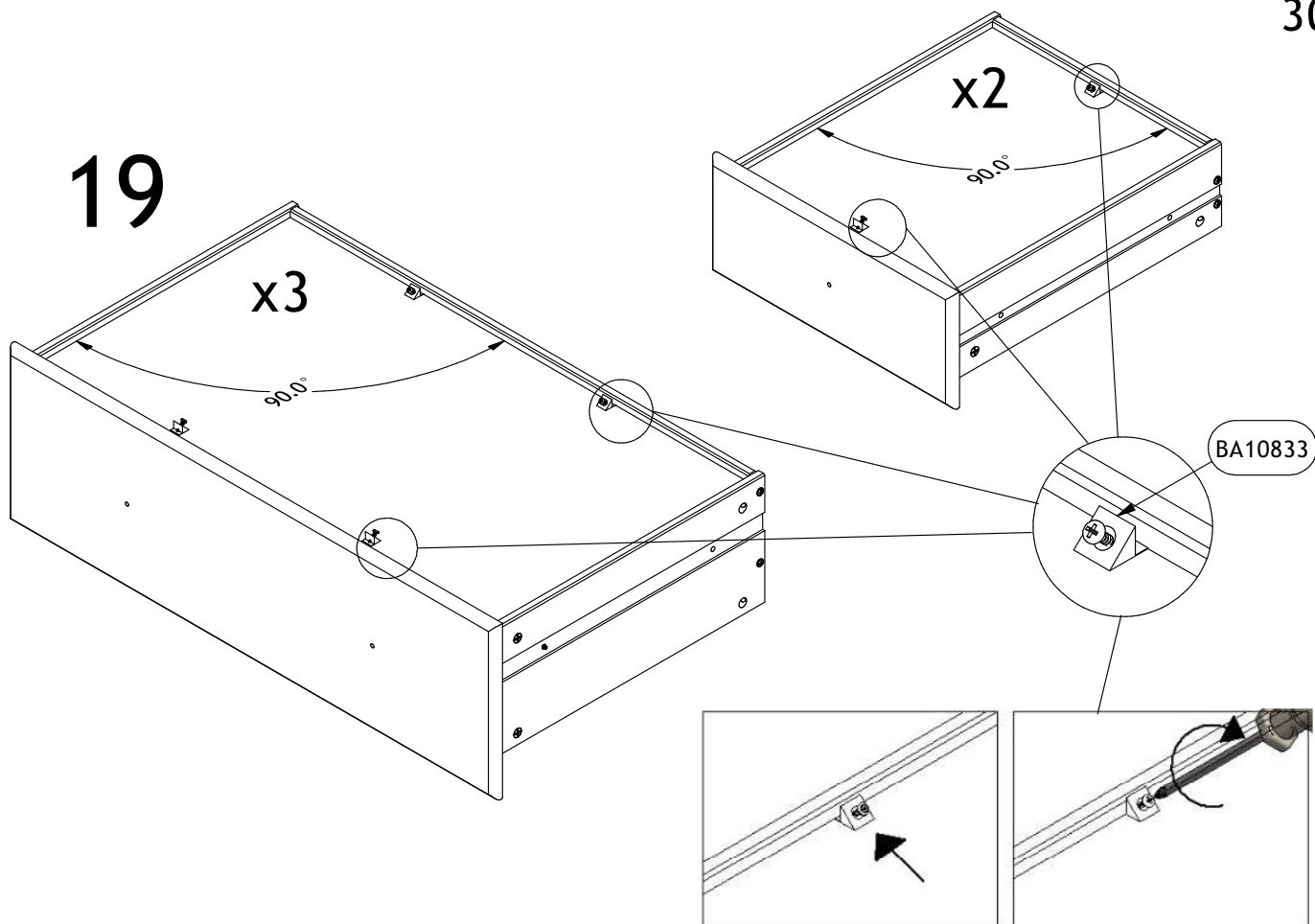


17

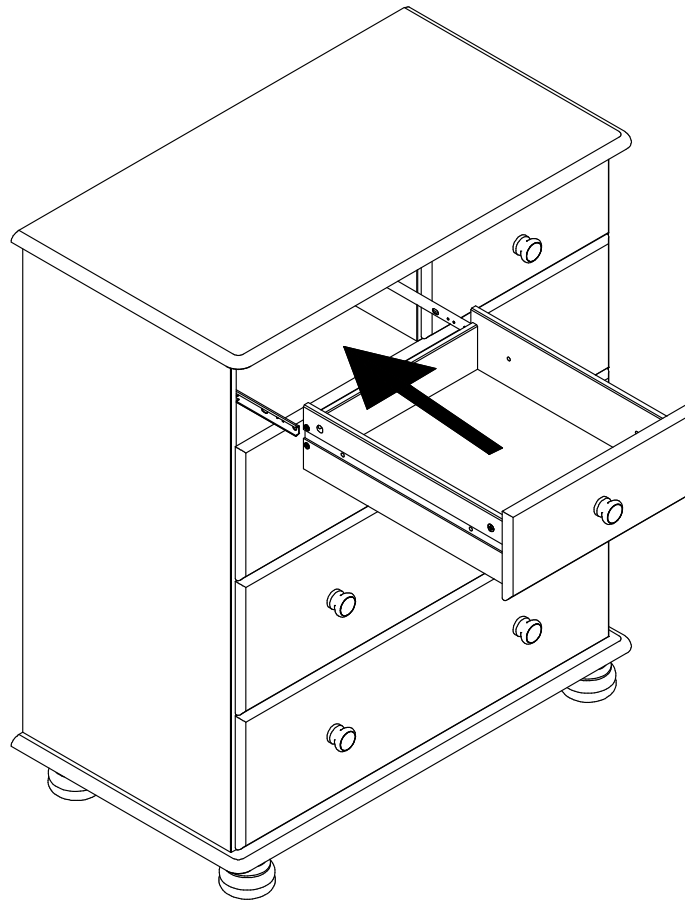


18





21



22

