

FURNITURE ASSEMBLY SERVICE



DID YOU KNOW...

WE CAN ASSEMBLE YOUR FLAT PACK FURNITURE FOR YOU!

We have recently introduced a furniture assembly service where, for a low price*, we'll arrange for our expert assembly team to visit your home and put your flat pack furniture together while you sit back and relax!**.

All of our assemblers are highly skilled and experienced, meaning your new furniture will be built and ready to use in next to no time, No mess, no fuss.

If you've already purchased an item of furniture from us and would like us to assemble it for you, or if you'd like to find out more about our assembly service for future furniture purchases, simply...

- Go to the website of the brand you ordered your new furniture from
- Type assembly service into the search box and click search

Here you'll find everything you need to know about our assembly service plus details of how to order the service online.

*Assembly service price is per item and is dependent on the item to be assembled. ** We regret that this service is not available for residents of the Isle of Man, Republic of Ireland or the Shetland Islands

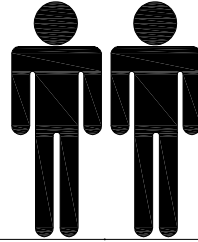
SHOP
DIRECT

ASSEMBLY INSTRUCTION

DESCRIPTION:
22.97UT.21
5 DOOR ROBE

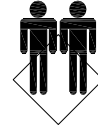
2,5 hrs

APPROXIMATE ASSEMBLY TIME



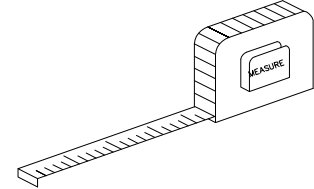
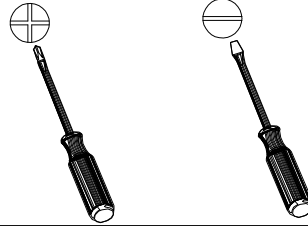
2 PERSON ASSEMBLY

FLOOR AREA
3.5M X 2.0M



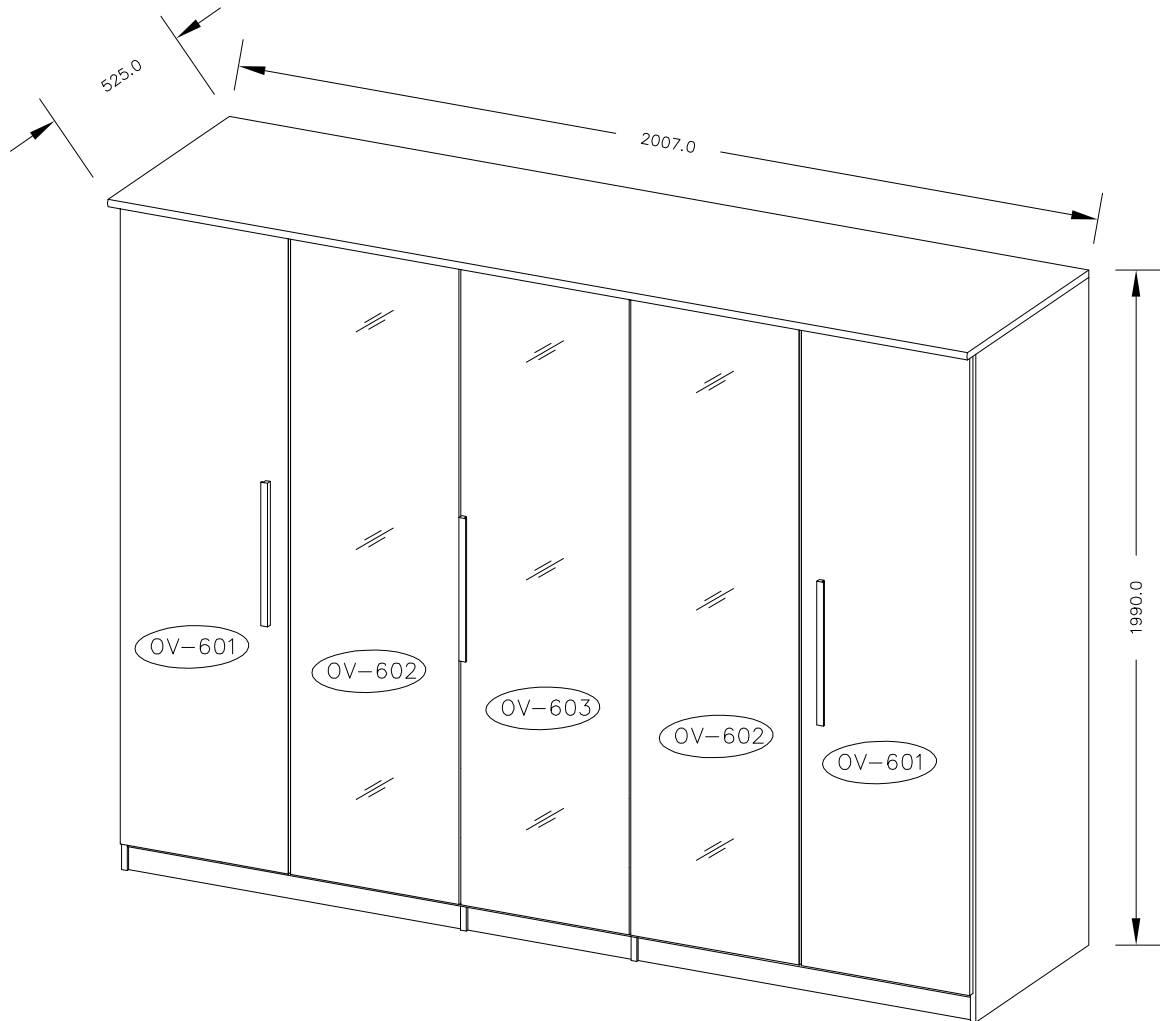
CEILING HEIGHT
2.3M

(FLAT BULD)
REQUIRED ASSEMBLY SPACE



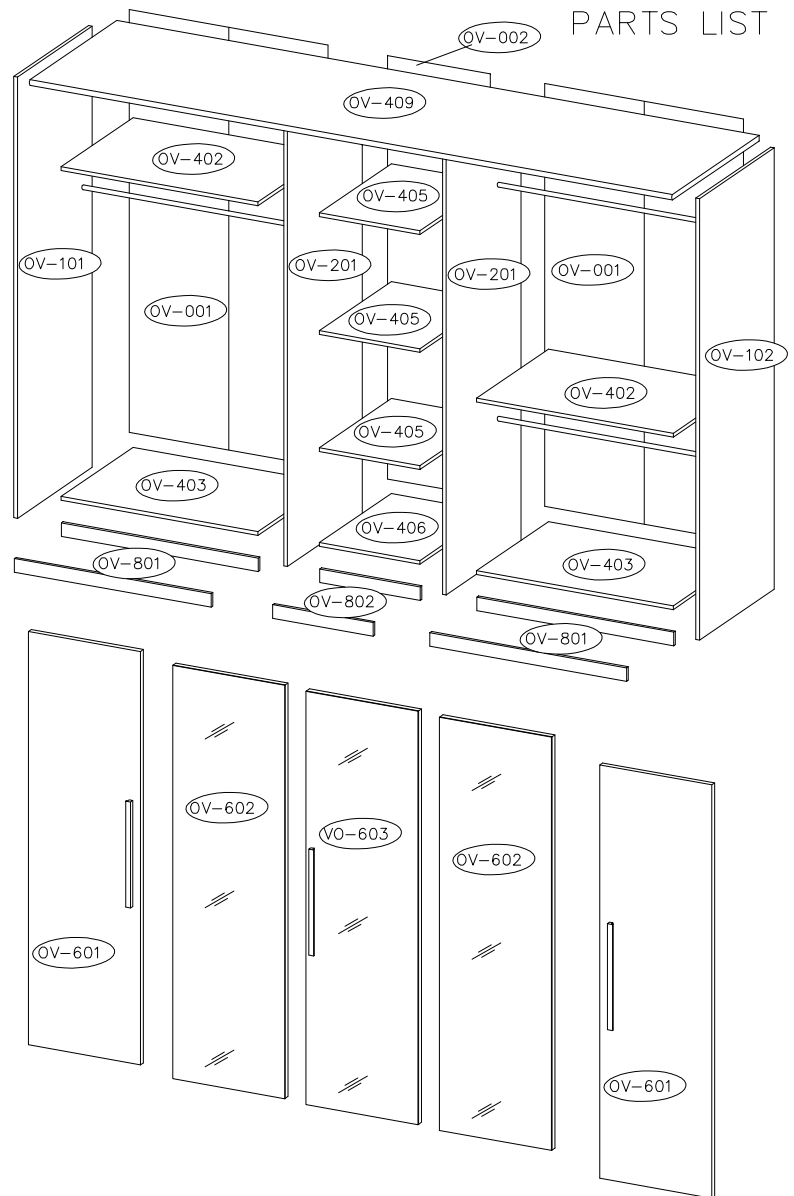
REQUIRED ASSEMBLY TOOLS

ASSEMBLED DIMENSIONS



PARTS LIST

NO.	PART LIST	QTY
101	LEFT SIDE	1
102	RIGHT SIDE	1
201	DASH PANEL	2
409	UPPER WREATH	1
402	WIDE MIDDLE WREATH	2
405	NARROW MIDDLE WREATH	3
403	WIDE BOTTOM WREATH	2
406	NARROW BOTTOM WREATH	1
801	LONG PLINTH	4
802	SHORT PLINTH	2
601	DOOR LH/RH WITH HANDLE	2
602	DOOR LH/RH WITH MIRROR	2
603	DOOR WITH MIRROR AND HANDLE	1
001	BACK PANEL COMBINED WITH TAPE	2
002	NARROW BACK SIDE PANEL	1



PACK 1 CONSISTS OF PARTS:

101, 102, 201, A1

PACK 2 CONSISTS OF PARTS:

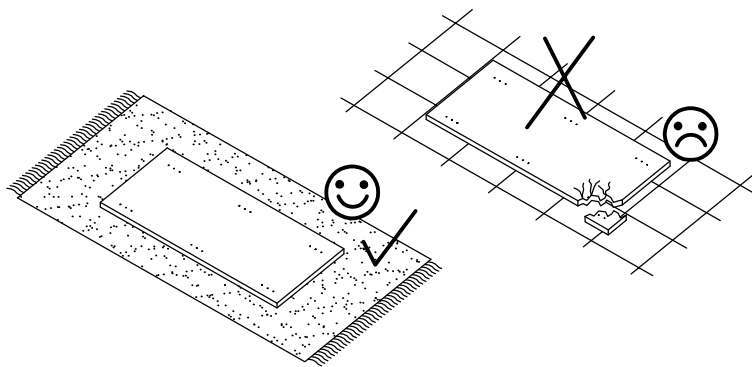
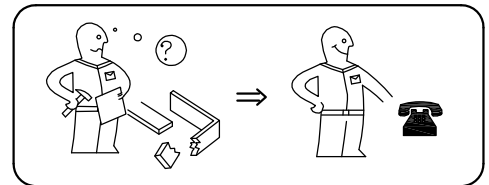
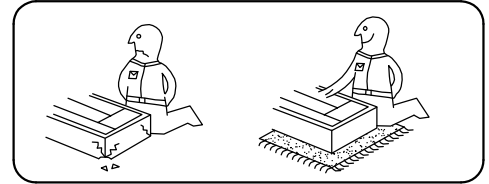
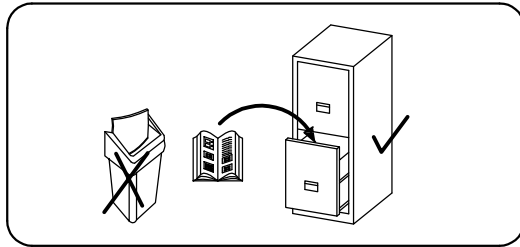
601, 602



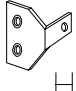
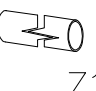
PACK 3 CONSISTS OF PARTS:

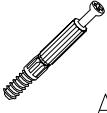
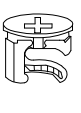

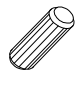




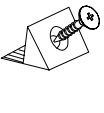
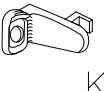
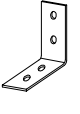
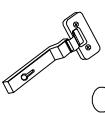
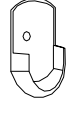


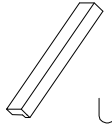

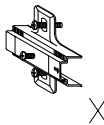
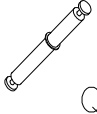

603, 001, 002, 409

PACK 4 CONSISTS OF PARTS:

402, 403, 405, 406, 802, 801, Fittings



3.5X30  E1	M4.0X10  G1	 H1	L-773  Z1
4	2	2	3

 A	 B	 C	 D	6.3X13  F	M4.0X20  G	 H	 I	 J	 K
12	20	20	32	30	4	20	1	16	6
 N	 O	 P	3.5X13  S	3.0X13  T	 U	6.3X11  W	 X	 Q	 I1
10	15	6	40	6	3	6	15	4	2

Top Tips before you start!

1. Please check that all parts are present before you start the assembly of your furniture, as once assembled, the furniture is exempt from our home approval policy.
2. For ease and speed of assembly, we recommend that before you commence each step of the assembly, that you identify all the parts required for that step.
3. For larger items, please ensure that you have sufficient space and people (as indicated on page 1) to assemble your product safely.
4. We recommend that, where possible, all items are assembled near to the area in which they will be placed in use, to avoid moving the product unnecessarily once assembled.
5. For the protection of your furniture, particularly items of high gloss finish, we recommend that the product is placed on a protected surface during assembly to prevent any damage.
6. During assembly please take care not to over-tighten any fittings, as this may damage the product.

Care and Maintenance of your Furniture



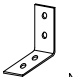
Please periodically check all fittings and re-tighten as necessary.

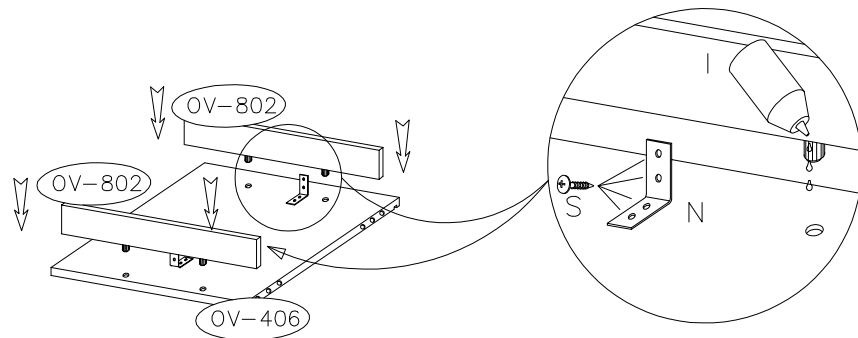
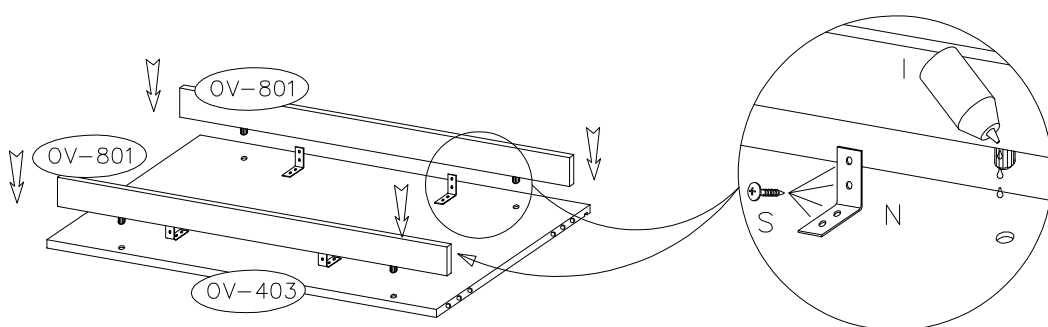
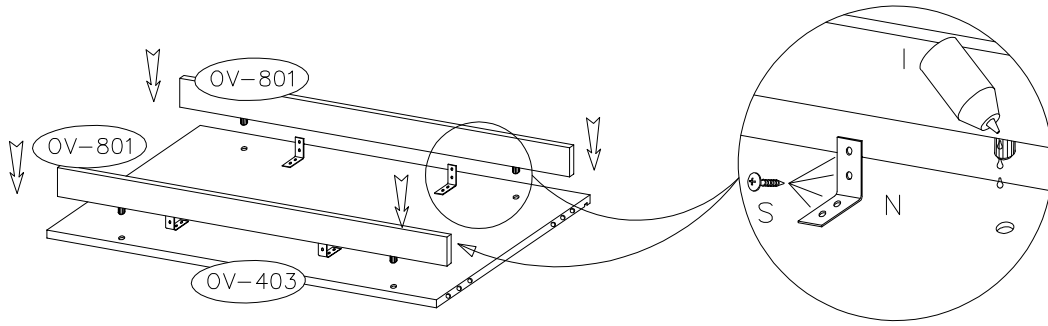
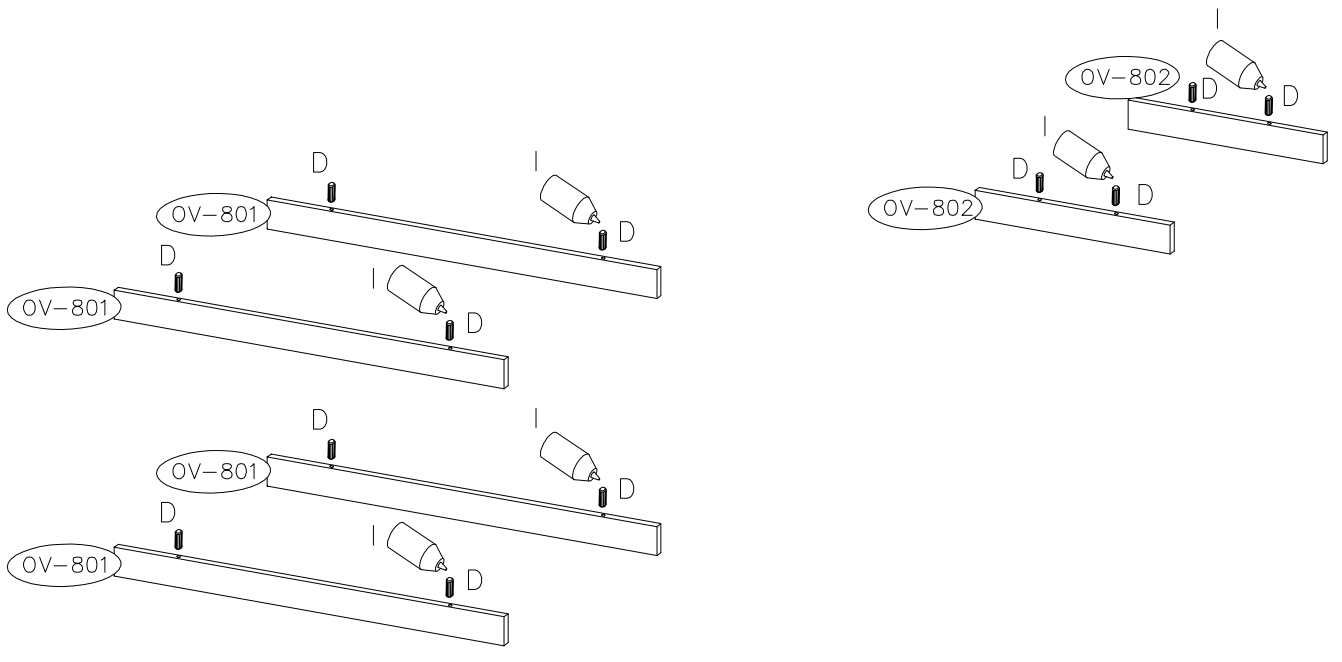
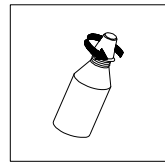
To clean your item, please use a damp cloth and wipe clean.

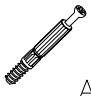


Never allow any kind of liquid to remain on your furniture. Absorption can cause wood to warp or finishes to de-laminate.

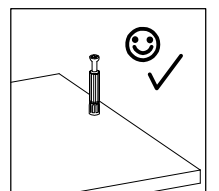
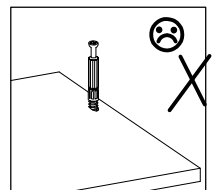
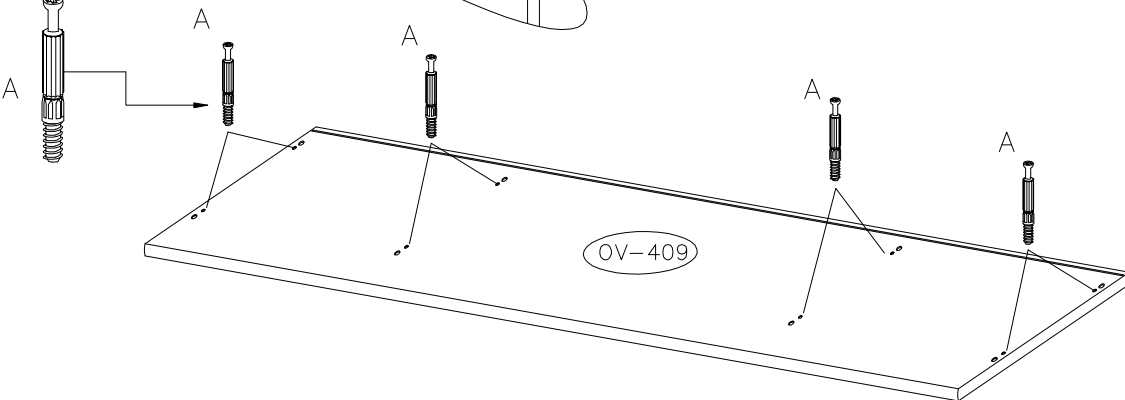
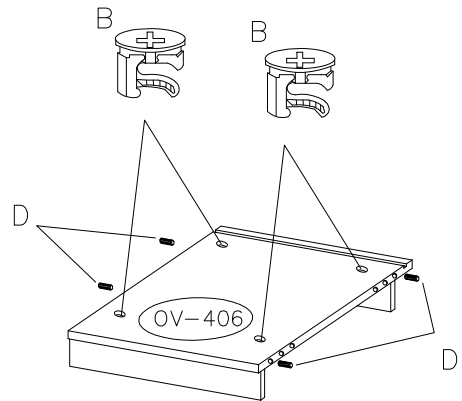
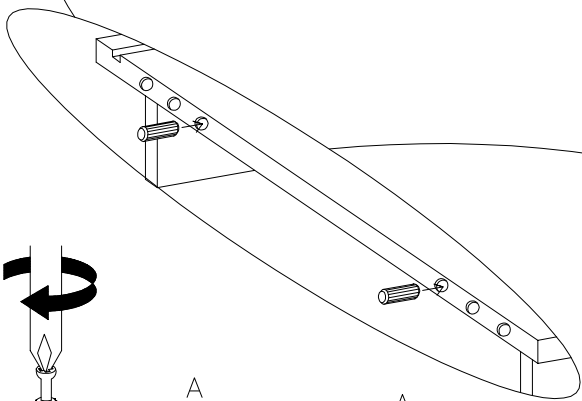
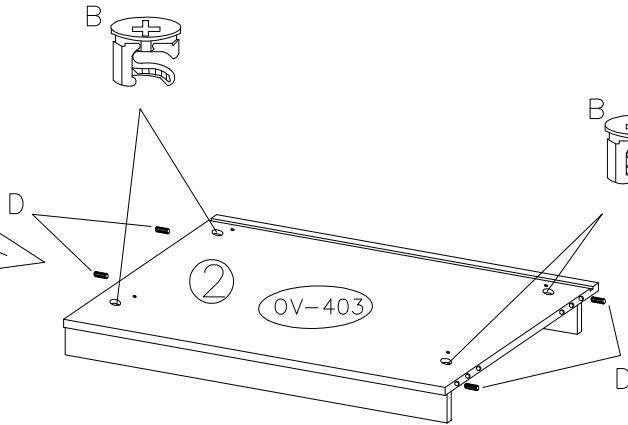
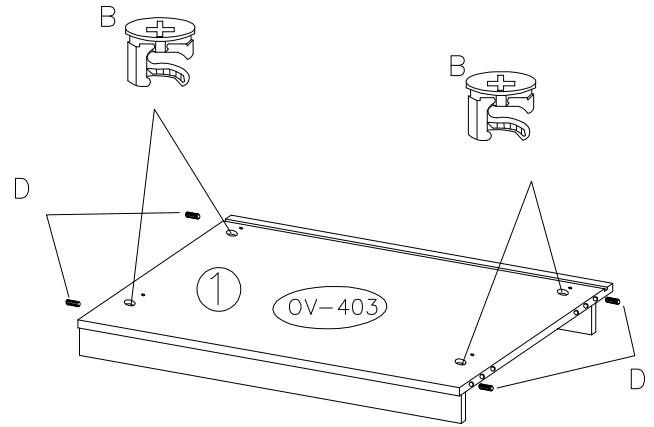
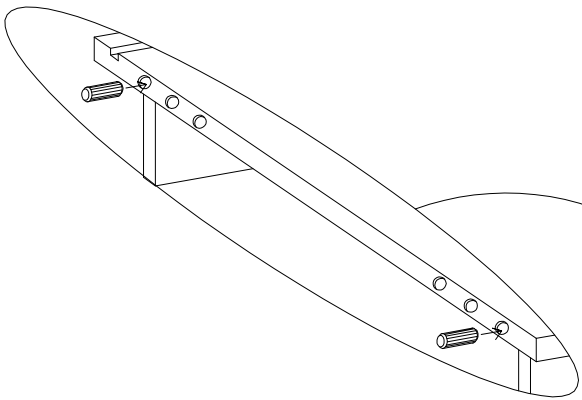
Please do not place hot items (e. g. hot drinks) directly on to the wood surface.




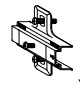
Please do not drag or pull your furniture.

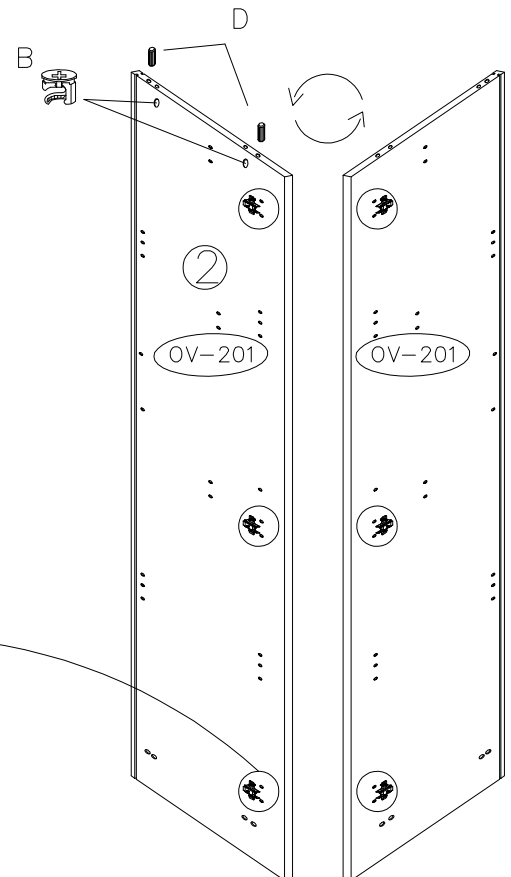
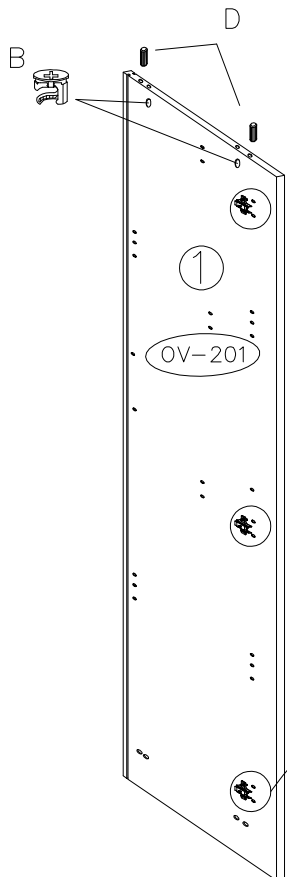
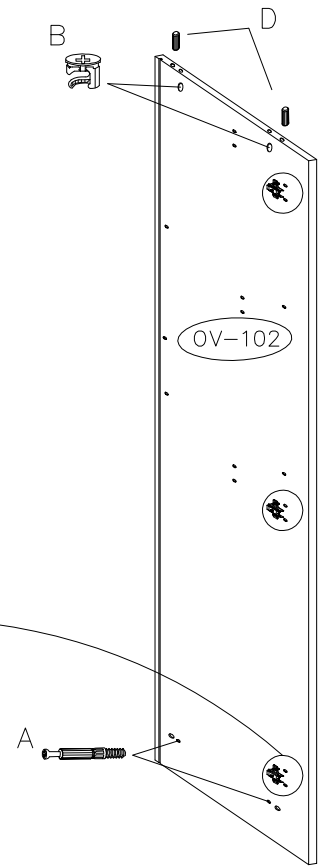
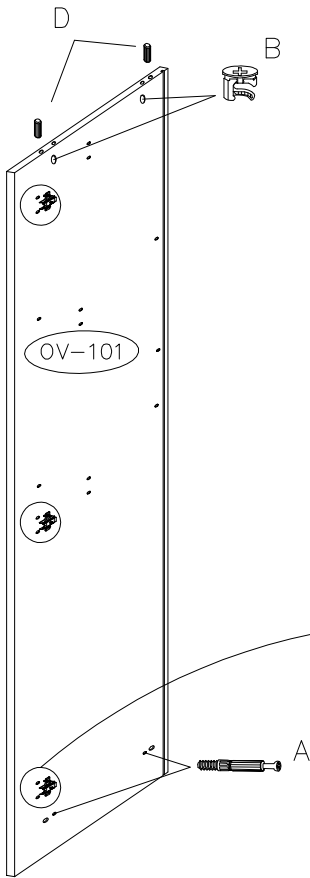
			3.5X13
D	I	N	S
12	1	10	40

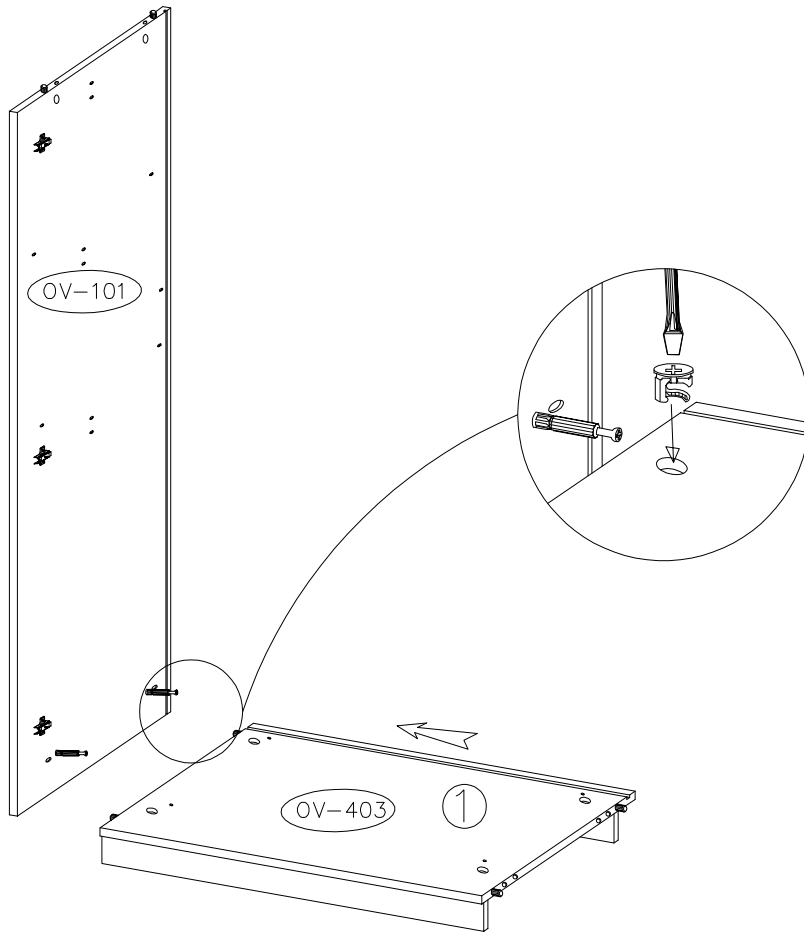


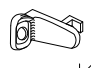
 A	 B	 D
8	12	12

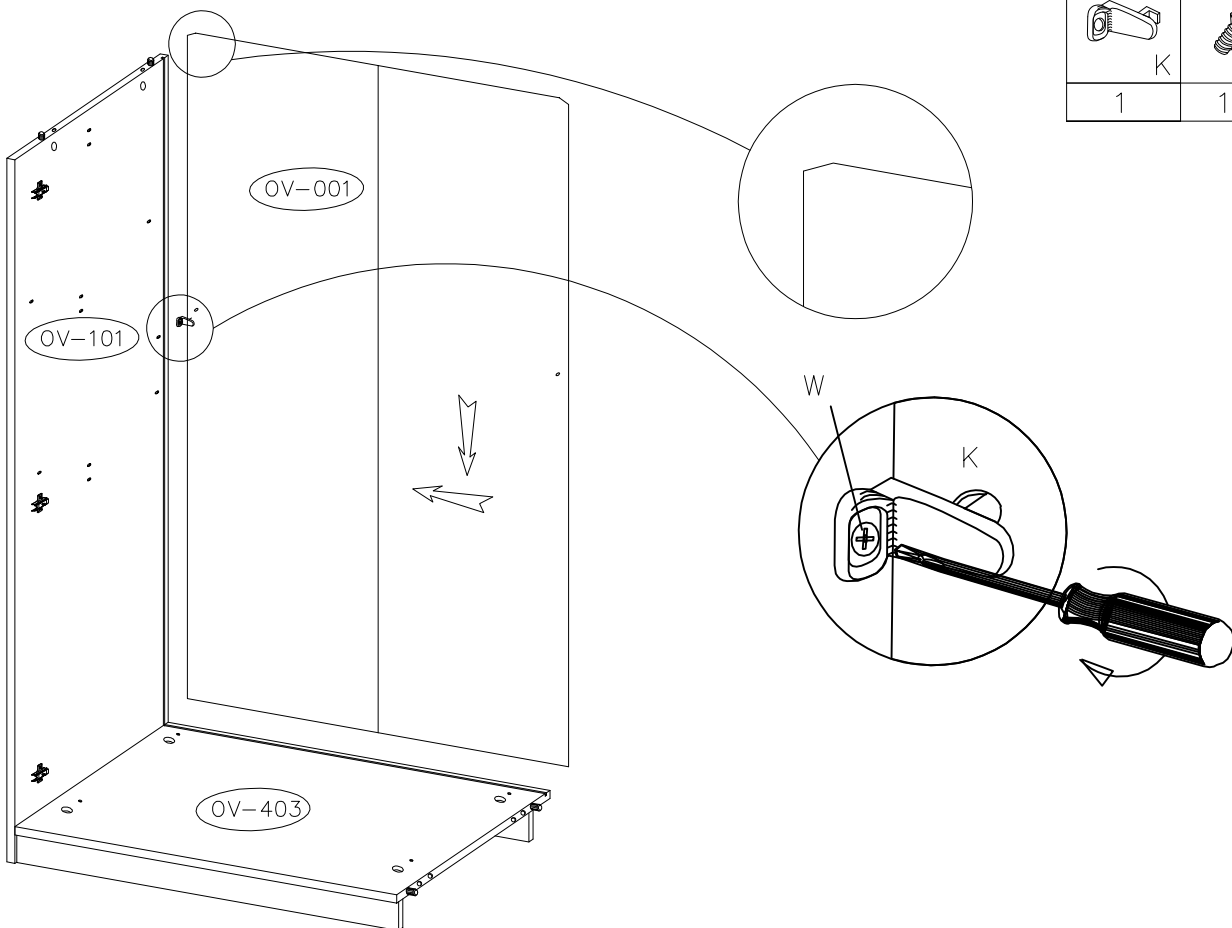


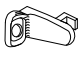

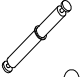
			
A	B	D	X
4	8	8	15

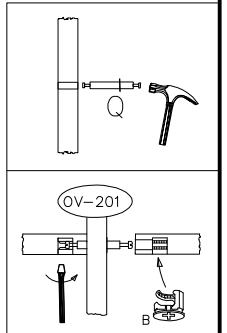
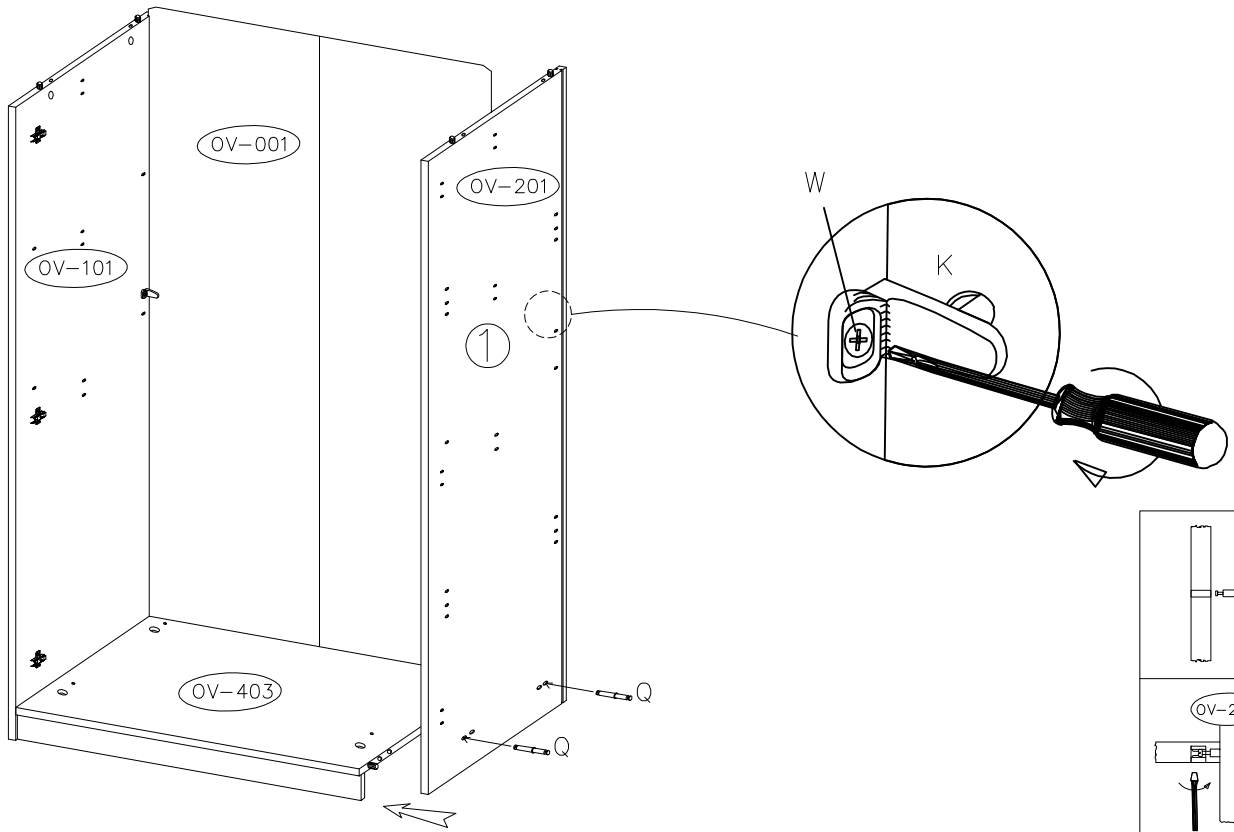


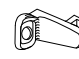

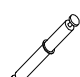


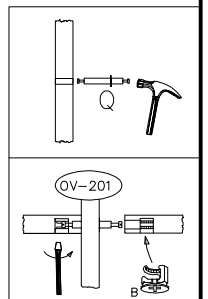
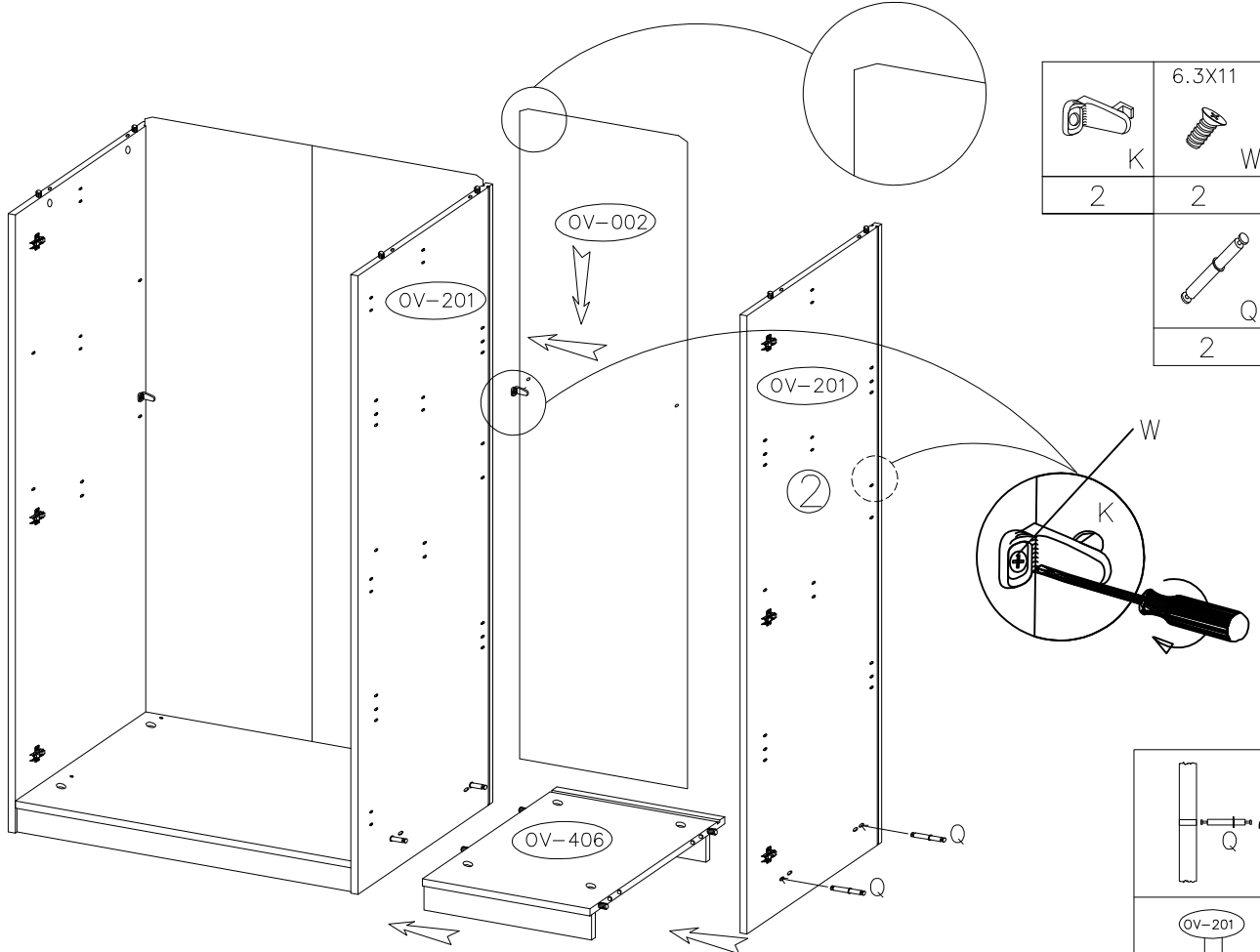
	6.3X11
K	W
1	1

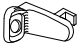


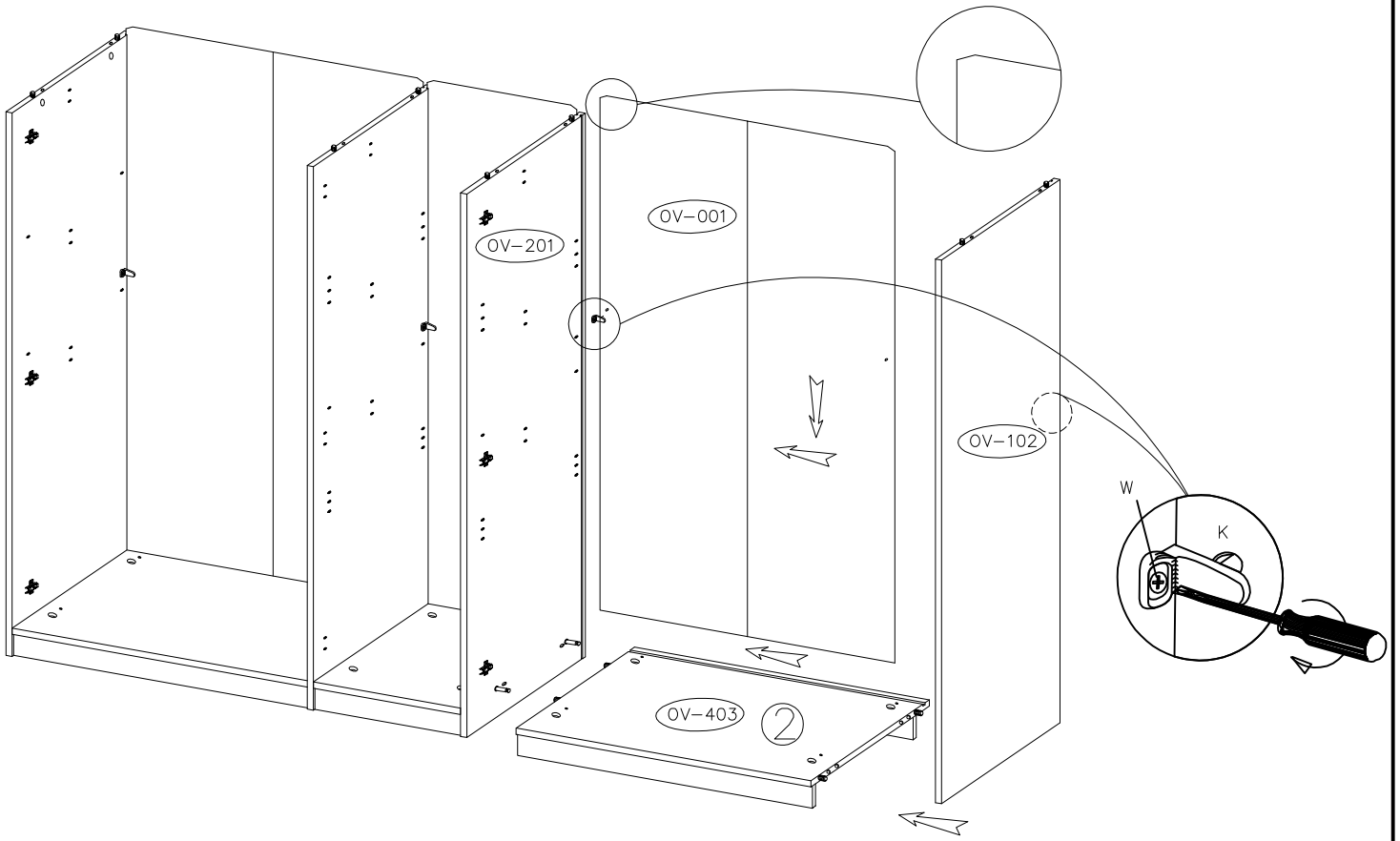
	6.3X11		
K		W	Q
1	1	2	




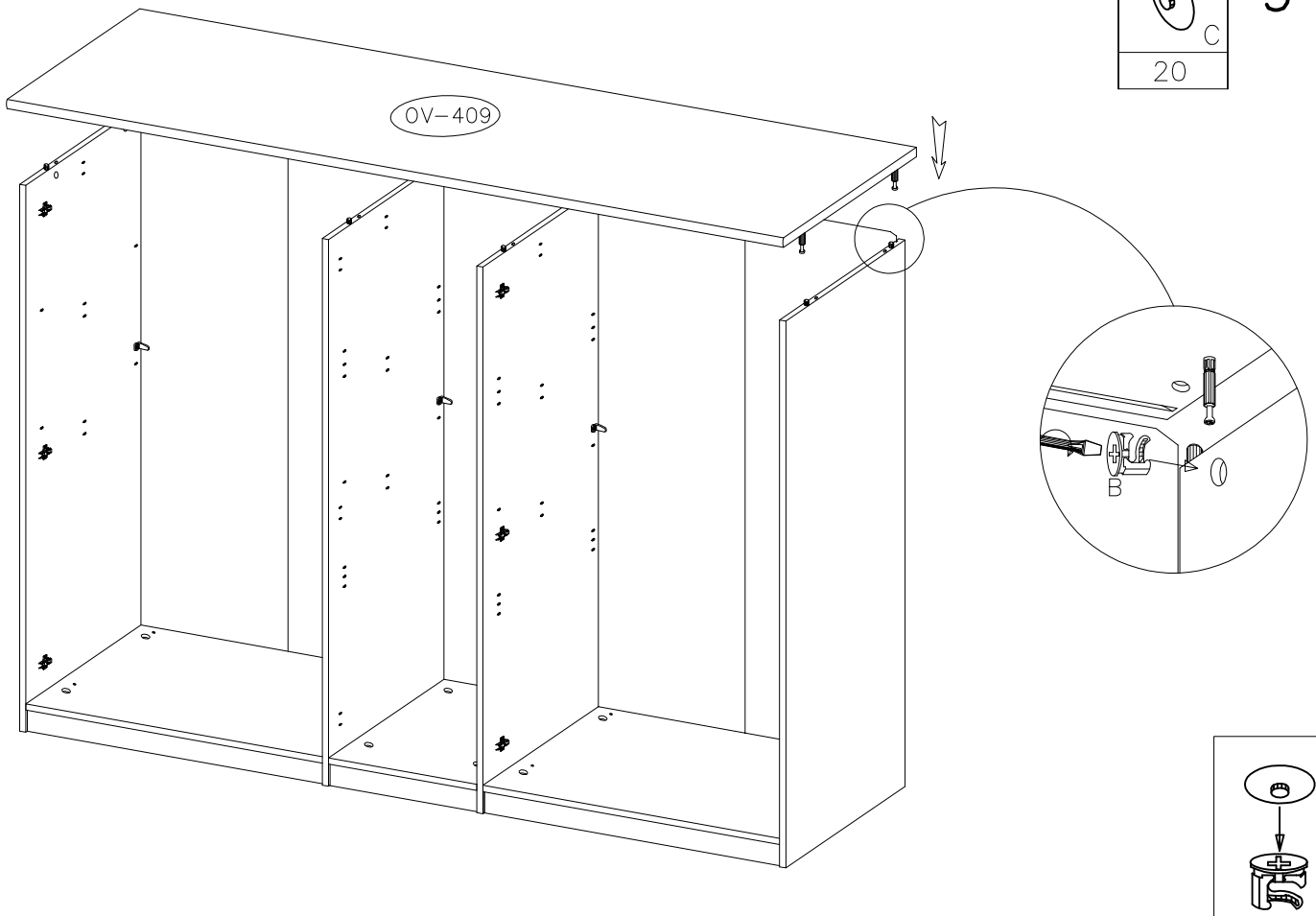
	6.3X11	
K		W
2	2	
		
		2

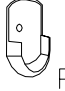




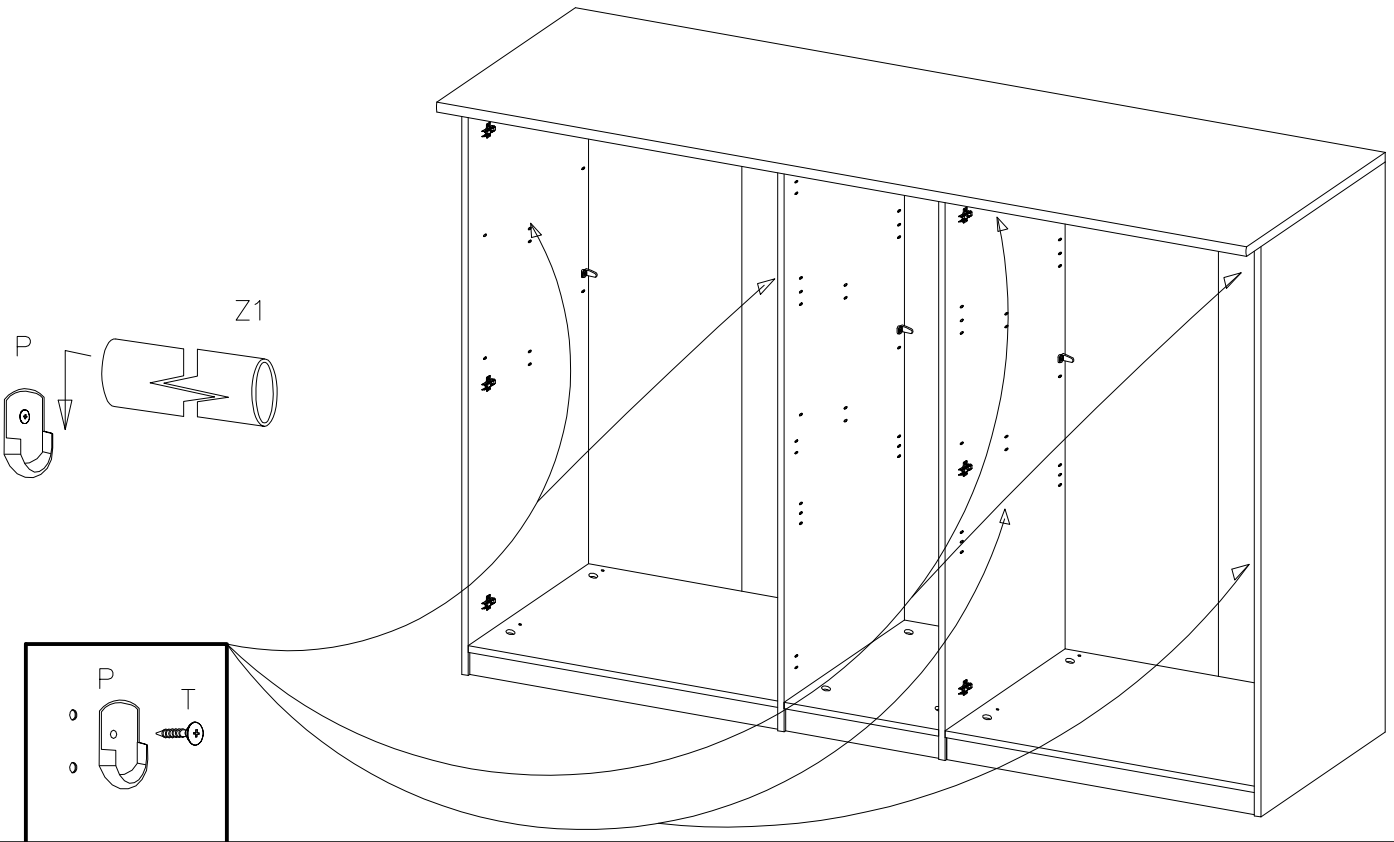
	6.3X11
K	W
2	2




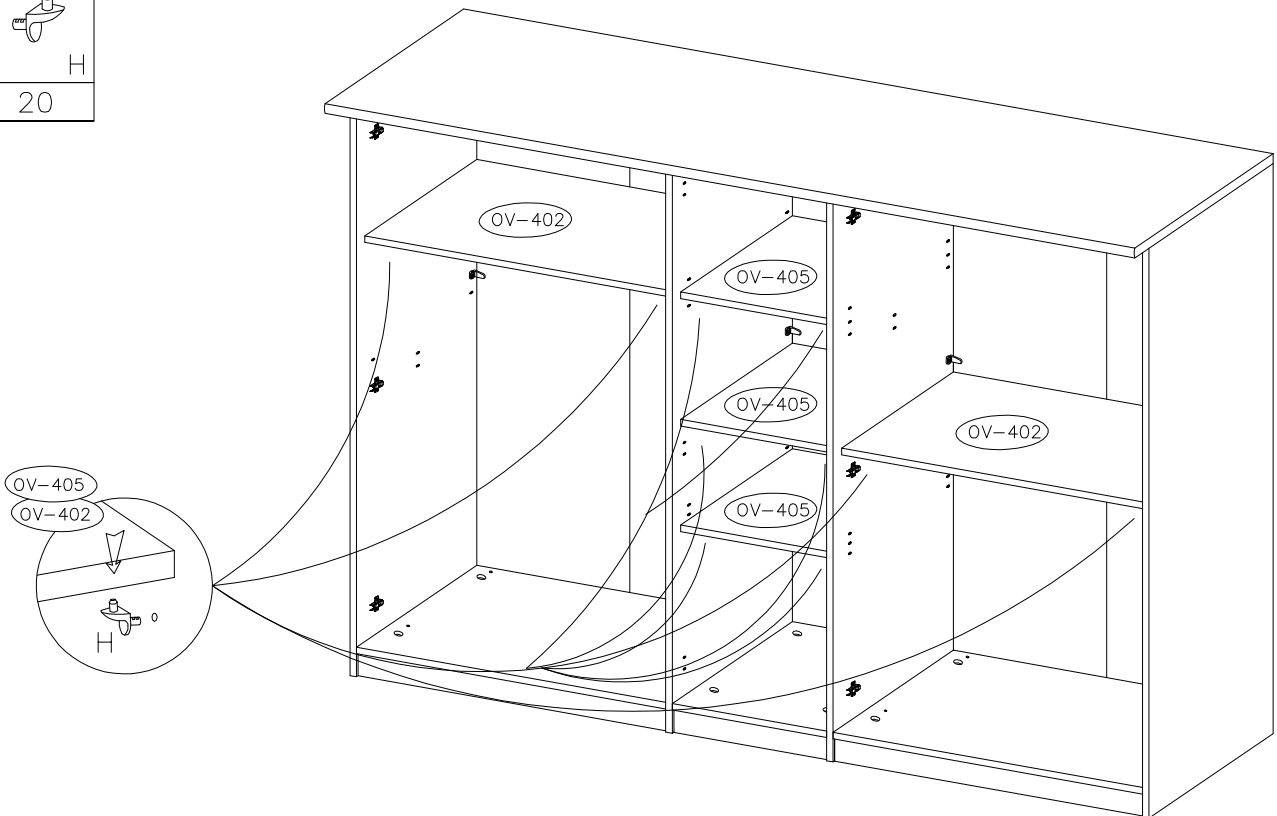
	C
20	

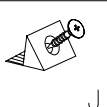
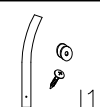


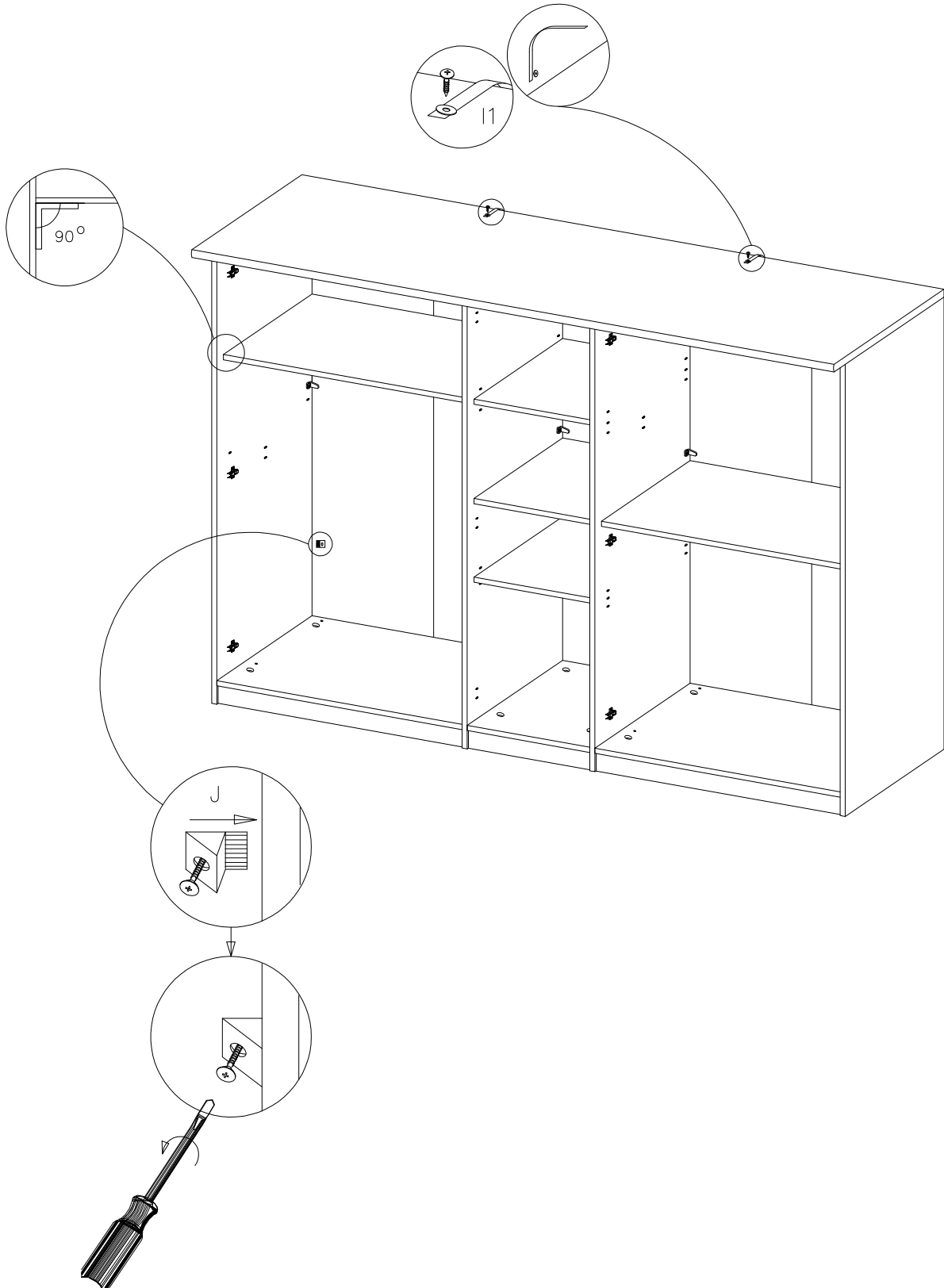
 P	3.0X13	 T	 L-773 Z1
6	6	6	3



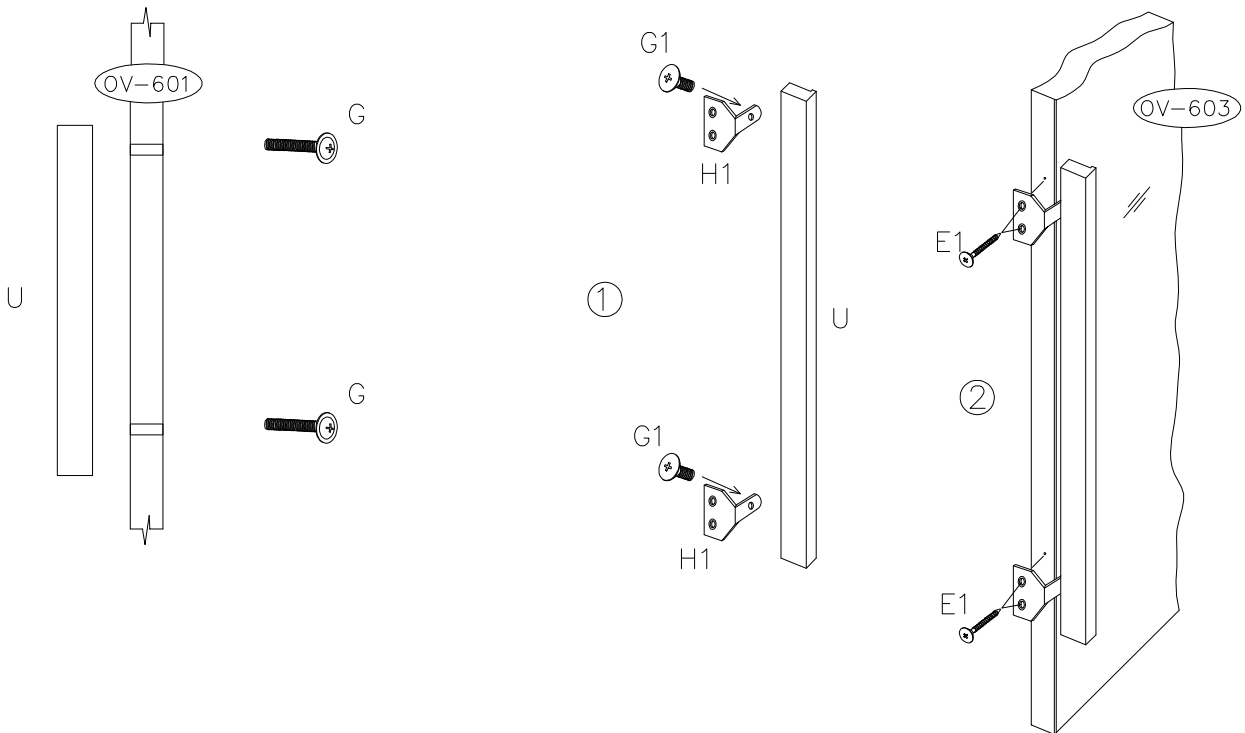
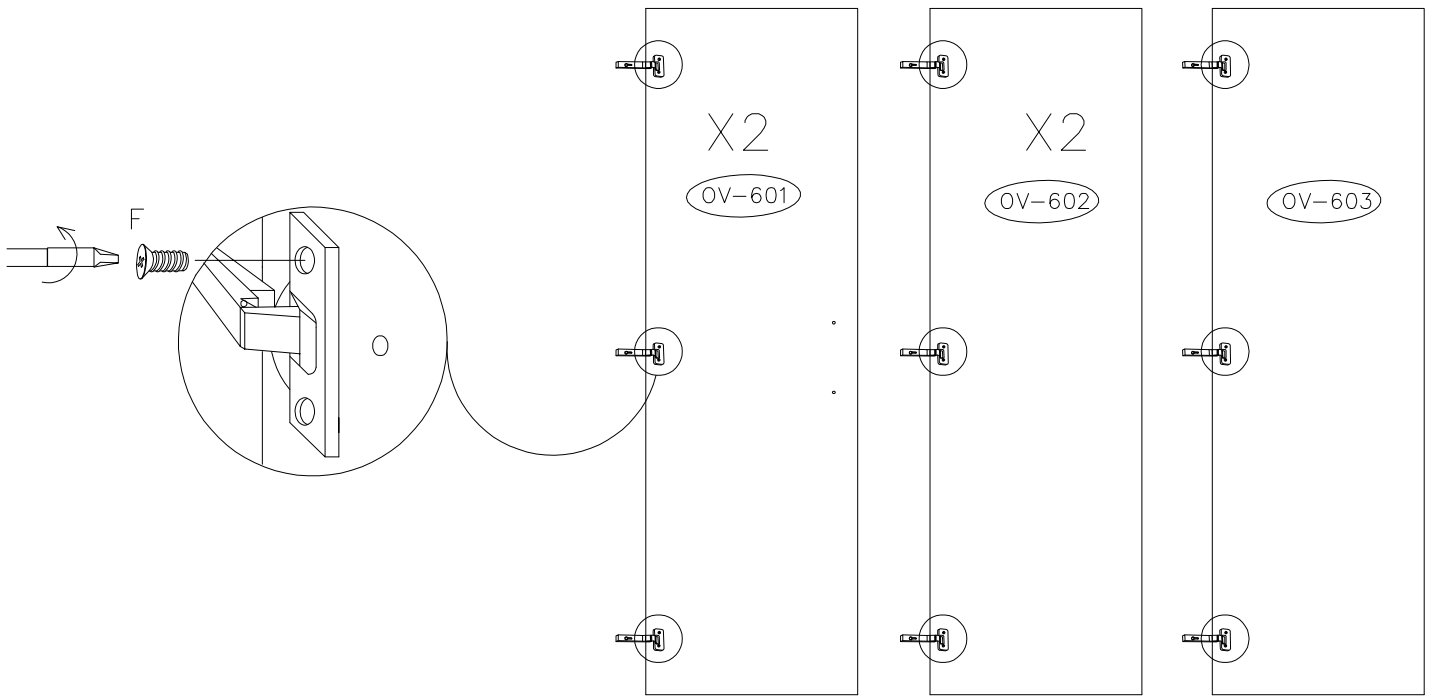
 H
20

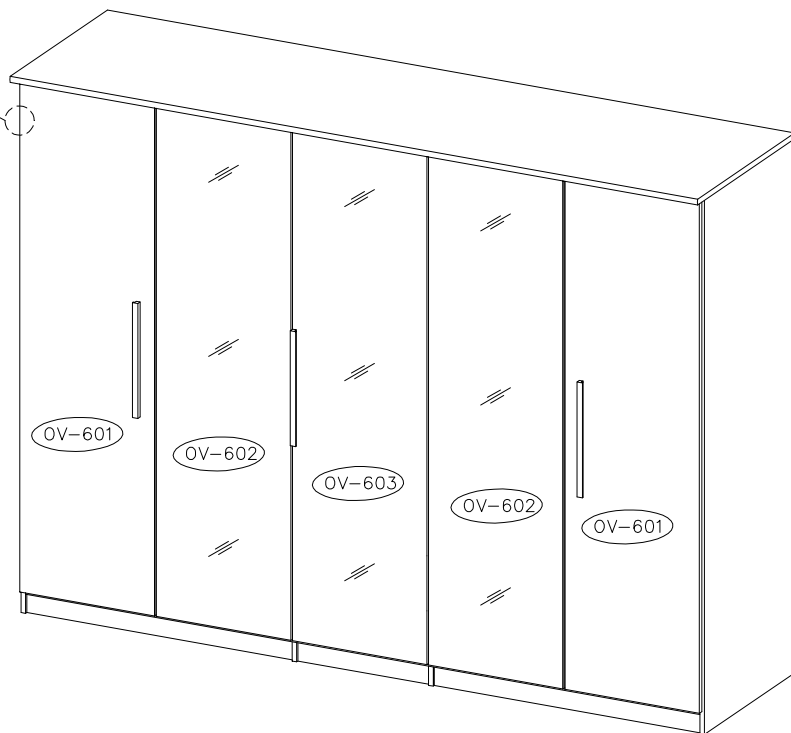
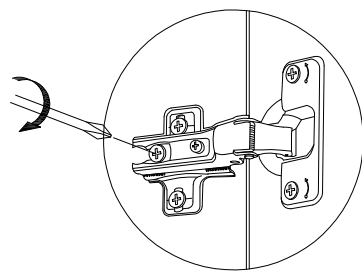


 J	 I1
16	2



3.5X30 E1	M4.0X10 G1	H1	6.3X13 F	M4.0X20 G	O	U
4	2	2	30	4	15	3





- (F) Mettre la porte (égaliser les gonds)
- (I) Regolare la porta (livellare le parentesi)
- (D) Turen einstellen (Scharniere justieren)
- (GB) Adjusting the doors (adjusting the hinges)
- (NL) Deuren instellen (scharnieren afstellen)
- (PL) Nastawic drzwi (wyrownac zawiasy)
- (TR) Kapilarin ayarlanmasi (menteşelerin seviye ayari)
- (RU) Регулировка дверей (регулировка шарнира)
- (RO) Ajustați ușa (alineați balamalele)
- (CZ) Seřid'te dveře (vyrovnejte závěsy)
- (SK) Zrad'te dvere (vyrovnajte závesy)
- (HU) Állítsa be az ajtót (igazítsa be a zsanérokot)

