

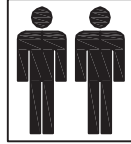
IMPORTANT, RETAIN FOR FUTURE REFERENCE AND READ CAREFULLY. ASSEMBLY AND OPERATING INSTRUCTIONS FOR UNDER BASIN UNIT

DESCRIPTION

ITEM NAME: ...UNDER BASIN UNIT...

PRODUCT CODE: ...KL-COL-002...

30 mins



Floor Area
2500mm x
2000mm



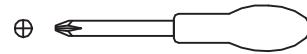
Ceiling Heights
2000mm

APPROXIMATE ASSEMBLY TIME

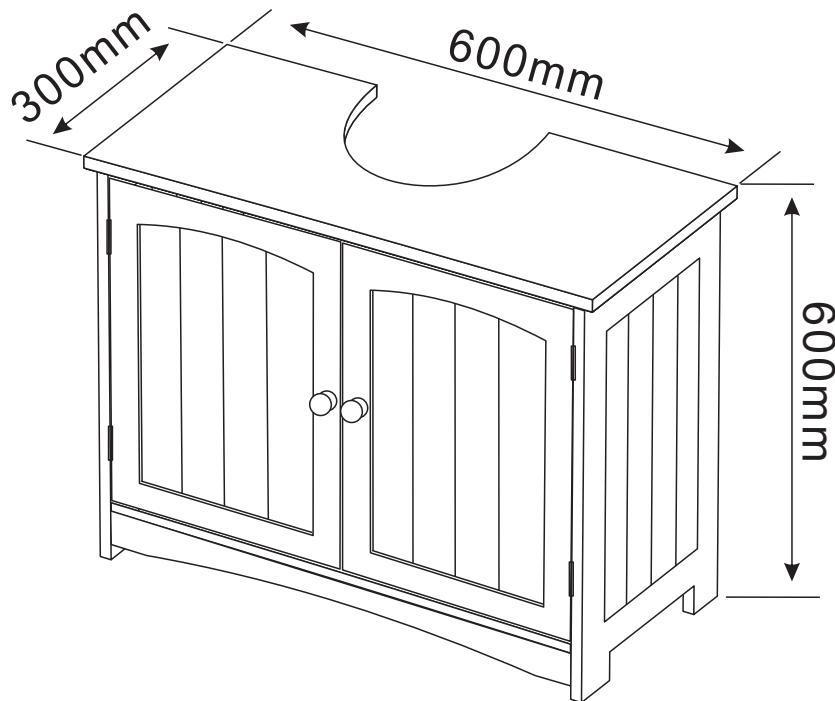
2 PERSONS ASSEMBLY

REQUIRED ASSEMBLY SPACE

REQUIRED ASSEMBLY TOOLS



ASSEMBLED DIMENSIONS



DESCRIPTION

ITEM NAME: ...UNDER BASIN UNIT...

PRODUCT CODE: ...KL-COL-002.....

TOP TIPS BEFORE YOU START !

- 1) Please check that all parts are present before you start the assembly of your furniture.
- 2) For ease and speed of assembly, we recommend that before you commence each step of the assembly, that you identify all the parts required for that step.
- 3) For large items, please ensure that you have sufficient space and people to assemble your product safely.
- 4) We recommend that, where possible, all items are assembled near to the area in which they will be placed in use, to avoid moving the product unnecessarily once assembled.
- 5) For the protection of your furniture, particularly items to high gloss finish, we recommend that the product is placed on a protected surface during assembly to prevent any damage.
- 6) During assembly, please take care not to over-tighten any fittings, as this may damage the product.

CARE AND MAINTENANCE OF YOUR FURNITURE

GENERAL FOR CABINETS

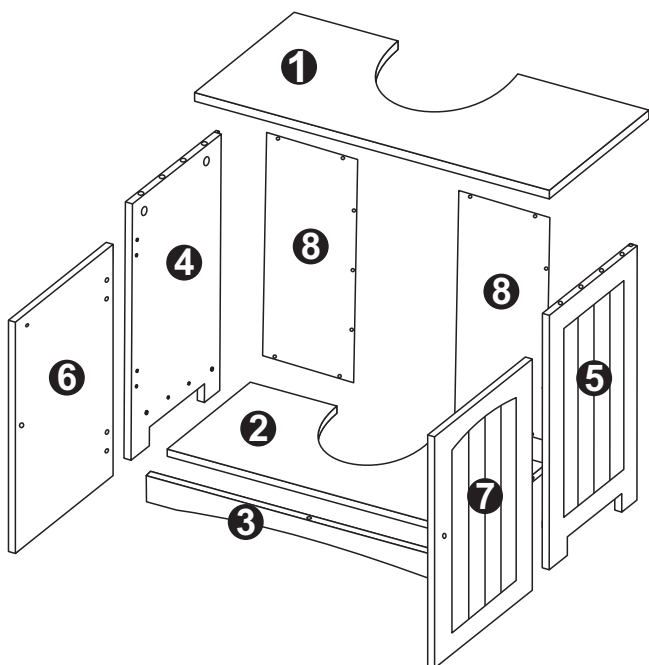
- Please periodically check all fittings and re-tighten as necessary.
- To clean your item, please use a damp cloth and wipe clean.
- Never allow any kind of liquid to remain on your furniture. Absorption can cause wood to warp or finishes to de-laminate.
- Please do not place hot items (e.g. hot drinks) directly on to the wood surface.
- Please do not drag and pull your furniture.

DESCRIPTION

ITEM NAME: ...UNDER BASIN UNIT...

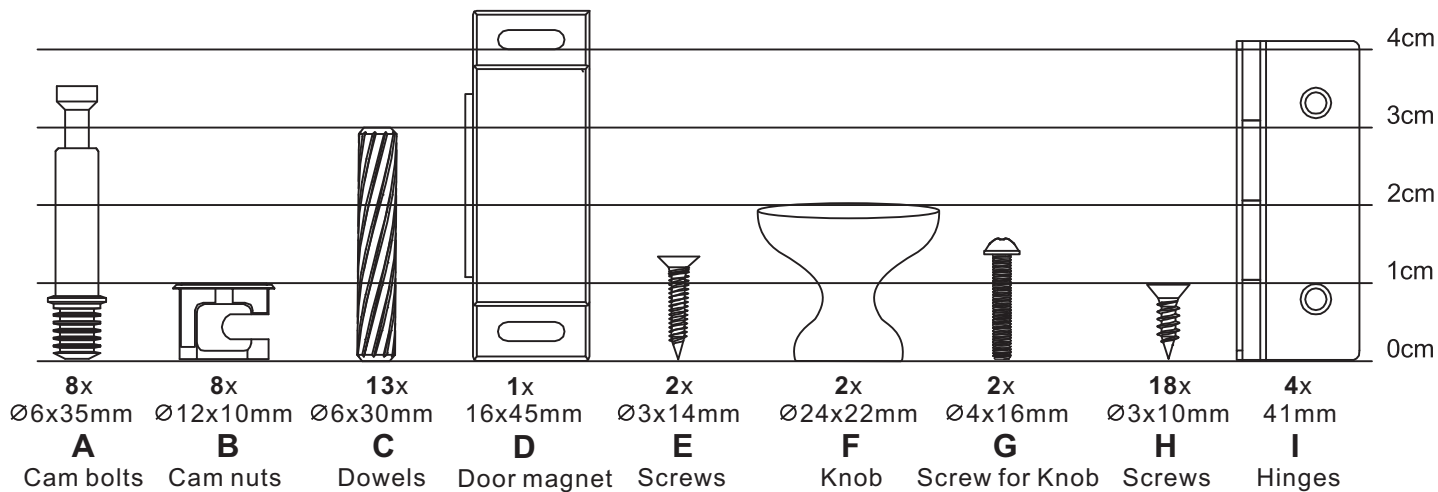
PRODUCT CODE: ...KL-COL-002.....

PARTS LIST



NO.	PART LIST	QTY
(1)	TOP PANEL	1
(2)	BOTTOM PANEL	1
(3)	LOWER FRONT APRON	1
(4)	LEFT SIDE PANEL	1
(5)	RIGHT SIDE PANEL	1
(6)	LEFT DOOR	1
(7)	RIGHT DOOR	1
(8)	BACK PANEL	2

HARDWARE LIST

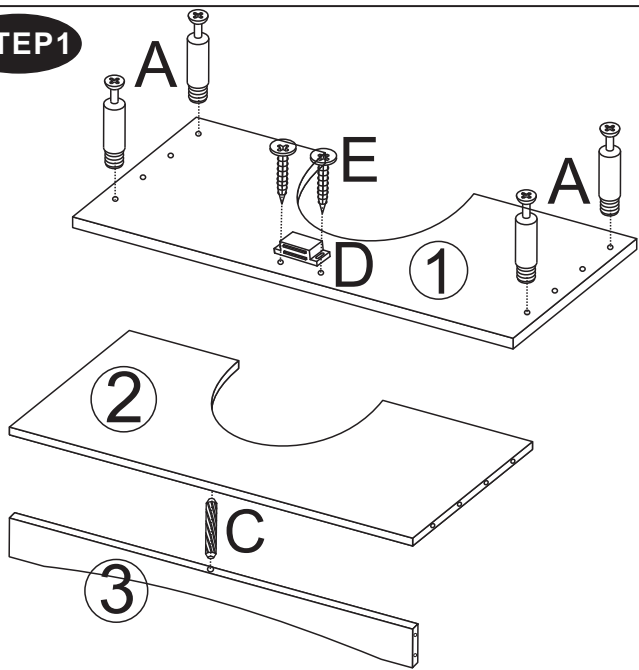


DESCRIPTION

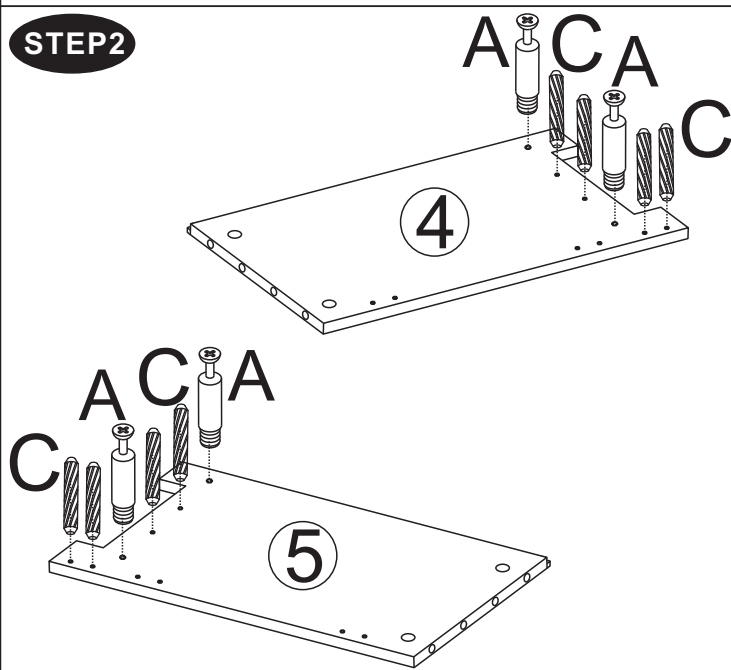
ITEM NAME: ...UNDER BASIN UNIT...

PRODUCT CODE: ...KL-COL-002.....

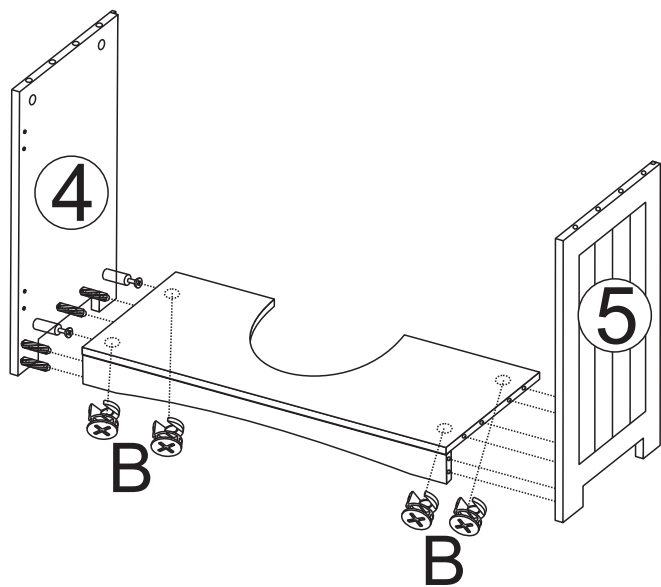
STEP1



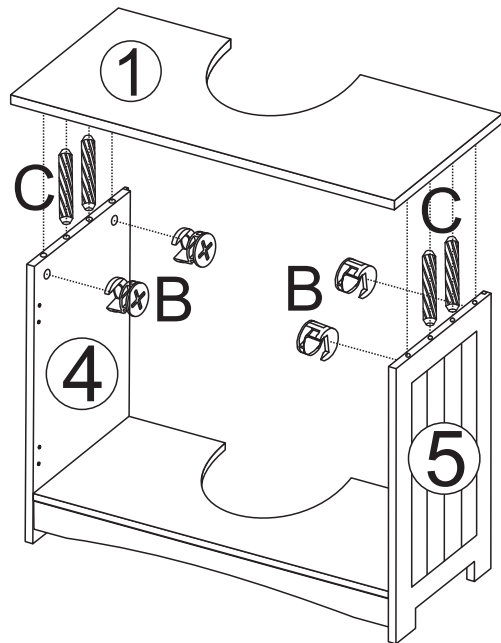
STEP2



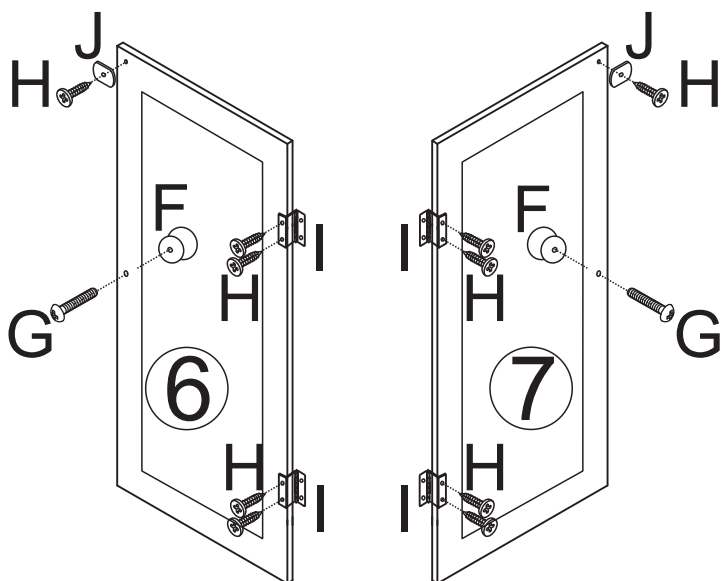
STEP3



STEP4



STEP5



STEP6

