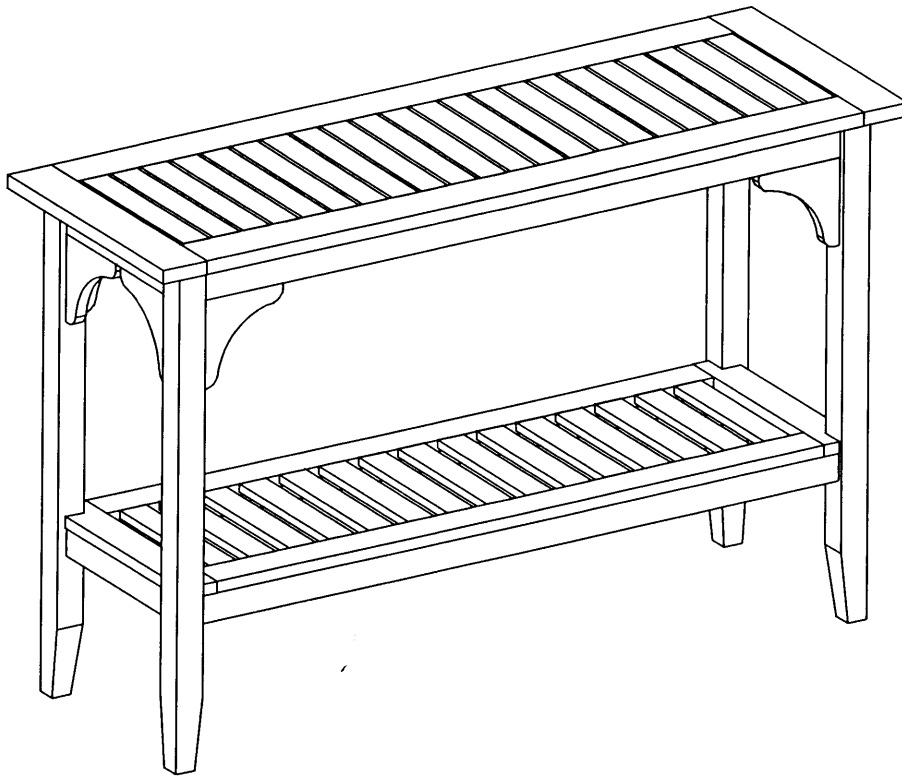


# CONSOLE TABLE

Style # IT-350229

## ASSEMBLY INSTRUCTIONS



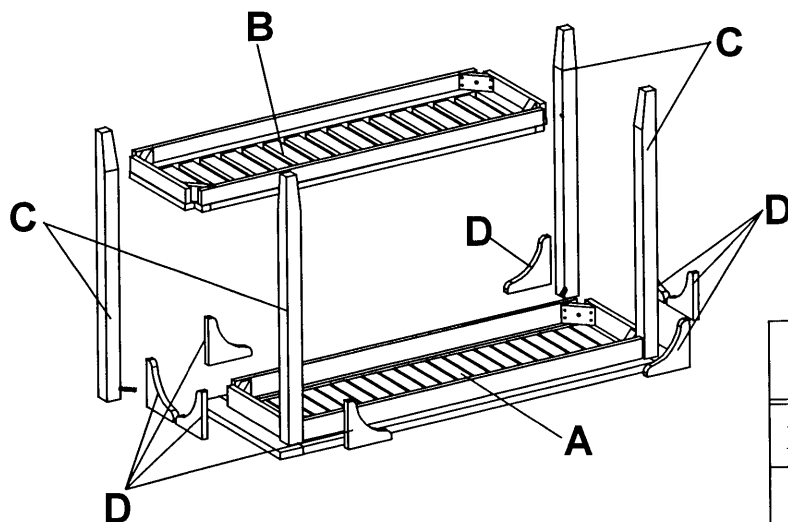
### **QUESTION ?**

Identify all parts and hardware. If any pieces are missing call our toll free number at 1-888-287-4275 from 9:00 am to 5.00 pm CST (Monday to Friday) for replacement parts. For faster service, have the style number handy when calling.

**THIS INSTRUCTION BOOKLET CONTAINS IMPORTANT SAFETY INFORMATION.  
PLEASE READ AND KEEP FOR FUTURE REFERENCE.**


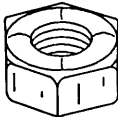


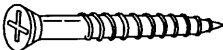
**IMPORTANT !**

- \* ASSEMBLE YOUR UNIT IN AN AREA FREE FROM ANY OBJECTS THAT MIGHT SCRATCH THE SURFACE OF YOUR UNIT.
- \* EXAMINE ALL PACKING MATERIAL BEFORE DISCARDING, SHORTAGES MAY OCCUR FROM PARTS LEFT IN THE PACKING MATERIAL.
- \* PLEASE READ THE INSTRUCTIONS CAREFULLY, AND VERIFY ALL PARTS ARE INCLUDED.
- \* ALL BOLTS, NUTS AND SCREWS NEED TO BE TIGHTENED FROM TIME TO TIME TO AVOID DAMAGE.



| LIST OF WOODEN PARTS |             |       |
|----------------------|-------------|-------|
| NO.                  | DESCRIPTION | Q'TY  |
| A                    | Table top   | 1 Pc  |
| B                    | Base frame  | 1 Pc  |
| C                    | Leg         | 4 Pcs |
| D                    | Support     | 8 Pcs |

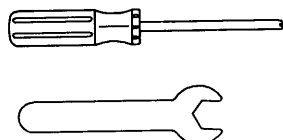
**LIST OF HARDWARE PARTS**

- E**  1 3/4" Bolt ..... 4 Pcs
- F**  Nut ..... 4 Pcs
- G**  Spring washer ..... 8 Pcs
- H**  Washer ..... 8 Pcs
- I**  Screw ..... 16 Pcs

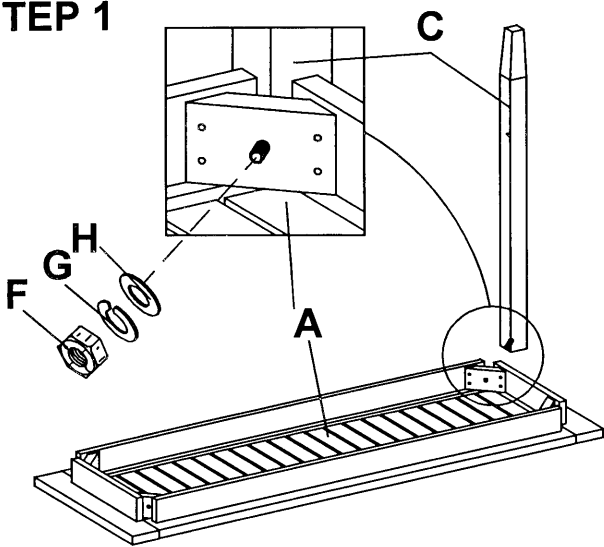
**TOOLS REQUIRED**

For proper assembly use these tools.

1. 8" Phillips screwdriver ( not included)  
- for tightening all bolts and screws.
2. Wrench  
- for tightening all nuts (included).

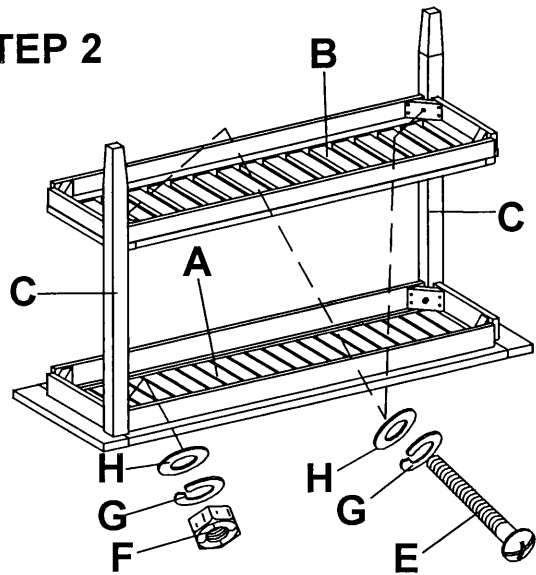


### STEP 1



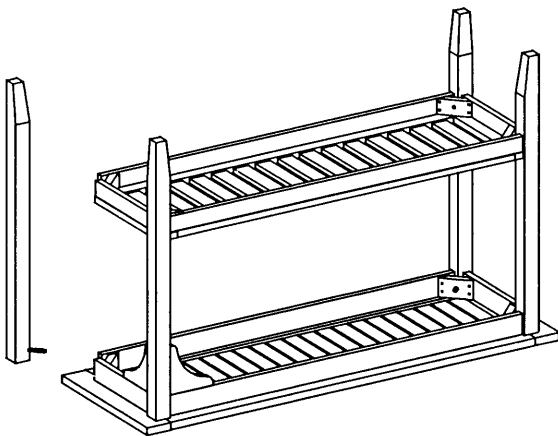
- Attach leg (C) into corner of table top (A) through predrilled hole and secure with washer (H), spring washer (G) and nut (F).
- Tighten nut (F) using wrench .

### STEP 2



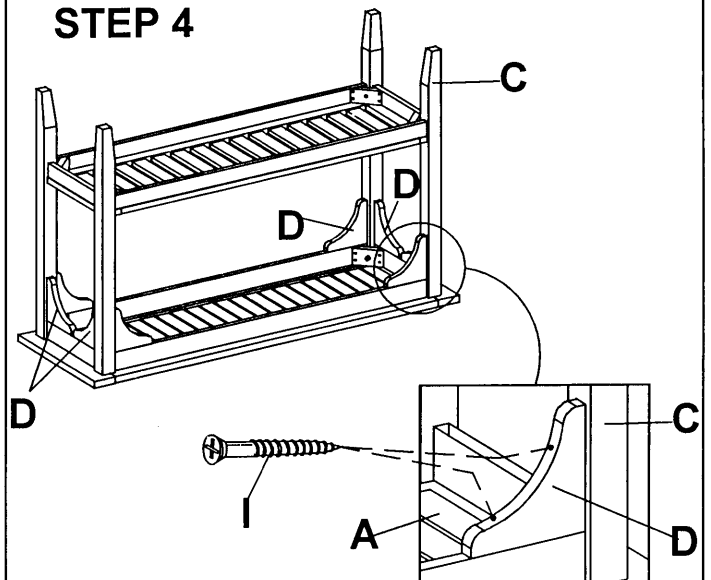
- Attach base frame (B) to the assembly from step 1 and secure with washer (H), spring washer (G) and 1 3/4" bolt (E). Tighten using screwdriver.
- Attach the other leg (C) into corner of table top (A) and base frame (B), secure with washer (H), spring washer (G) and nut (F) to table top (A). And then to base frame (B) insert washer (H), spring washer (G) and 1 3/4" bolt (E).

### STEP 3



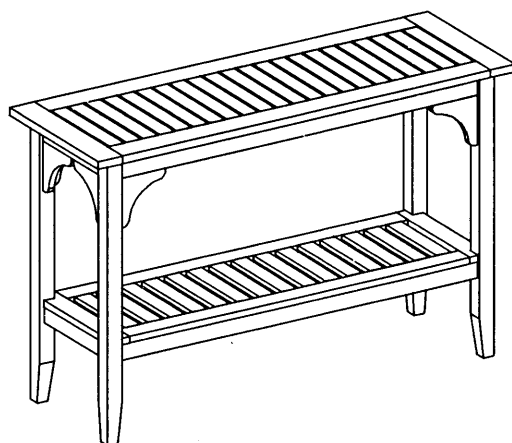
Repeat same step for the remaining two legs.

### STEP 4



- Attach supports (D) to legs (C), secure with screws (I). Tighten all screws using screwdriver.

### STEP 5



- Upright the table.

The table is now ready for use.