

**HZ349500TX Wall Mount Shelf W/Hook-
Dark Oak
HZ349600TX Wall Mount Shelf W/Hook-
Light Oak
Assembly Instructions**

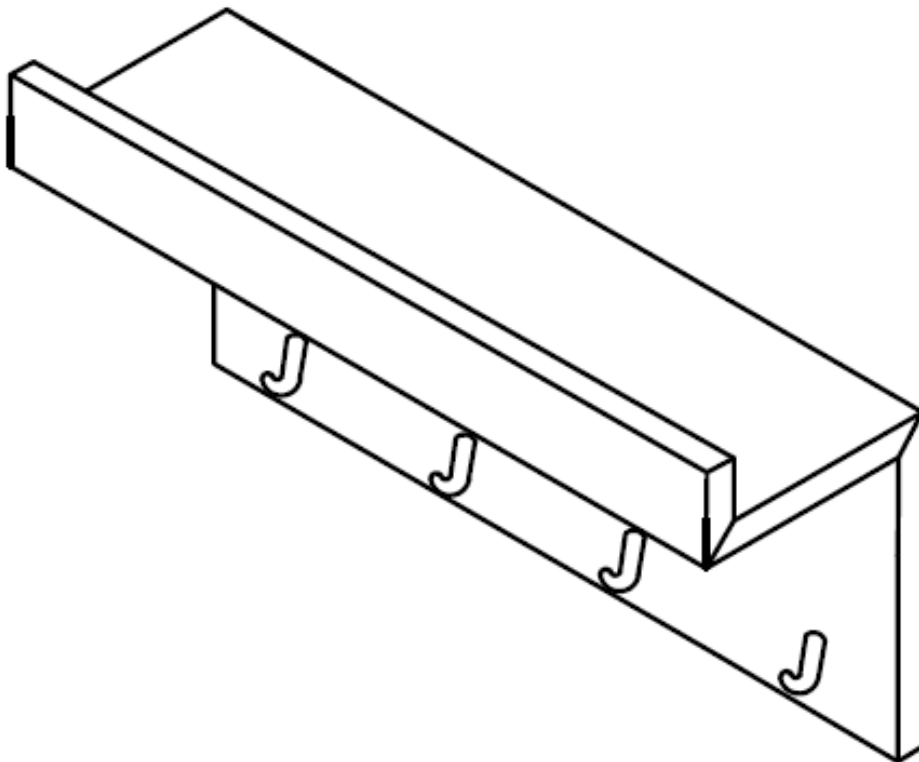


Southern
ENTERPRISES

For assistance with assembly contact:
Southern Enterprises Inc.
Customer Service 1-800-633-5096

service@seidal.com
www.seidal.com

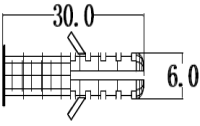
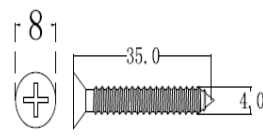
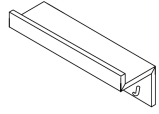
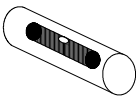
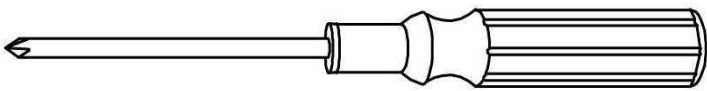
PO#



WALL MOUNT SHELF W/HOOK

Parts List

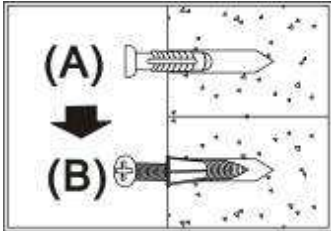
Please check packaging for all parts and hardware before discarding. Unpack and lay parts on clean, padded surface like carpet or blanket. Check that you have all parts indicated. Call customer service if hardware is missing. Before beginning assembly, carefully study the diagrams below and sort your hardware according to the pictures. Using the incorrect hardware will cause damage.

<p>A Quantity Of 2</p>  <p>plastic anchor Dia: 1/4" x 1-3/16"L</p>	<p>B Quantity Of 2</p>  <p>screw Dia: 1/4" x 1-1/2"L</p>	<p>C Quantity Of 1</p>  <p>shelf</p>
<p>D Quantity of 1</p>  <p>leveler</p>		
<p>Care and Cleaning Instructions: Before using, wipe with a clean, dry cloth. Periodically apply furniture wax to renew the finish. Avoid rubbing or scratching the surface with rough or abrasive objects.</p>		<p>For replacement parts or questions, please call customer service at 1-800-633-5096.</p>
<p>Assembly Tool Required No.2 Phillips Screwdriver Not Included</p>		

Tool List: 3/16" drill bit, drill, tape measure and pencil

Wall Mount Shelf W/Hook Assembly Instructions

NOTE: NO DRILLED HOLE OR PLASTIC ANCHOR REQUIRED WHEN MOUNTING TO WOOD WALL. USE SCREW ONLY. WE DO NOT SUPPLY HARDWARE FOR MOUNTING ON CONCRETE WALLS.



"The holes measurement on wall must match with the holes measurement on back of the unit"

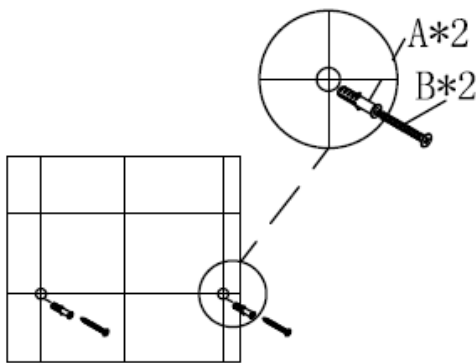


Figure 1

Find a desired location and mark two locations for the screws.

One screw (for each unit) must be attached directly into a wall stud. Wall anchor is not needed when mounting to wall stud.

Drill one marking 3/16" hole (for each unit). Insert plastic anchor (A) into the hole on wall as shown, you will need a hammer when doing this.

Using the phillips head screwdriver, install one screw (B) into the anchor (A) and the other screw installed into the stud. Turn the screws (B) until there is a gap of approximately 13 mm between the head of the screw and the wall as shown.

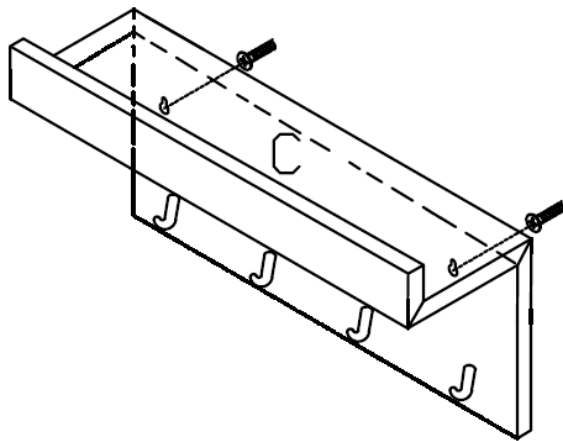


Figure 2

Hang shelf (C) onto the screws and verify the shelf (C) is resting securely on the mounting screws (B).

Use a leveler to insure product is level.

Now your wall mount shelf w/hook is ready to use.

Parts Replacement Form

Customer Information

Name _____

Address _____

City/State/Zip Code _____

Phone Number _____

Please indicate where you purchased this item: Store/Website/Catalog

Please indicate color/size/style number:

Style No Needed	Parts Letter	Parts Description	Quantity
_____	_____	_____	_____
_____	_____	_____	_____
_____	_____	_____	_____

Please immediately examine this product carefully. Any request for missing parts or damage replacement must be received within 90 days of your receipt of the product. Replacement, if available, will be honored within this time frame. Parts will not be available for items arriving fully assembled. We do not recommend modifying product(s) and we are not responsible for any damages due to product modification(s). If damages or missing parts are not reported within 90 days of your receipt, we are under no obligation to provide parts or replacement merchandise.

Please contact Southern Enterprises at 800-633-5096 or in Dallas 972-869-0111/ 9am – 4pm Mon-Fri Central time if you have product issues or email us at service@seidal.com. Please ask for customer service representative for issues involving damages or replacement parts. Please ask for technical assistance representative for any issues with product and assembly/construction.

Please contact the retailer that you purchased from for returns.



Southern
ENTERPRISES

Customer Service 1-800-633-5096
service@seidal.com
Southern Enterprises, Inc.
600 Freeport Parkway, Suite 200
Coppell, Texas 75019



CAUTION

Max shelf load capacity is achieved by mounting screw into studs or cement walls.

If mounting to sheet rock (cavity wall) it is advisable to mount at least one screw (without anchor) directly to a wall stud or studs. However do not leave either end of mounting bracket unsupported by at least one anchor. For hollow wall mounting you can use any of the holes in the back plate to suit where you require the mounting screws positioned.