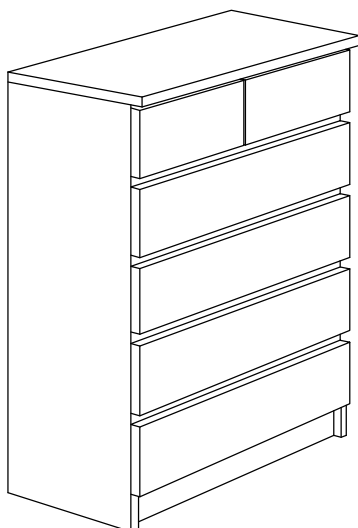


JITONA

4+2 chest of drawers



Please read these instructions before use and retain for future reference

If you need help with this product, please
contact our helpline on
Freephone 0870 160 1490
Your statutory rights are not affected.

Produced in the Czech Republic

Caution!

- Adult assembly required.
- Two-person assembly recommended.
- This item contains small parts that have sharp points and edges in the unassembled state. Keep away from children.
- Always place furniture on a firm level base.
- Do not stand or jump on this furniture.
- Do not assemble this furniture with a power tool.
- After assembly dispose of all packing materials safely.

Before assembly:

- Please read all instructions before beginning assembly.
- Please note this could be dangerous if incorrectly installed.
- Unpack and assemble this furniture, on a protective surface, in the room it will be used.
- Save all packing materials until assembly is complete to avoid accidentally discarding smaller parts or hardware.

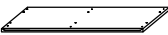
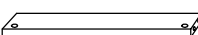

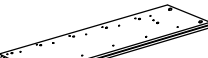

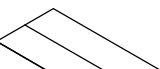
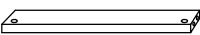
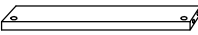
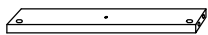


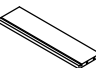

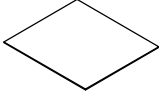
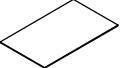


Tools required

Cross head screwdriver (long reach)


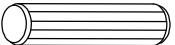



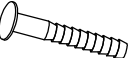
Pencil / Ruler / Spirit level / Masking tape / Hammer

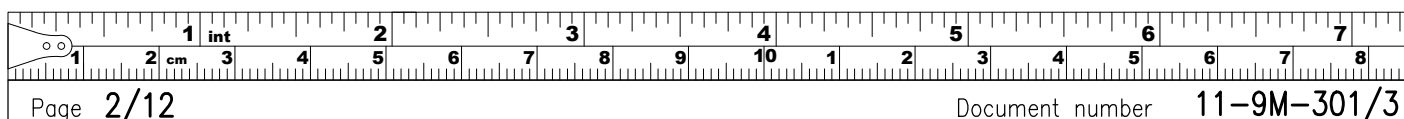
Drill fitted with a Ø 8mm drill bit (as required for the wall type)

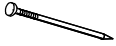
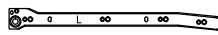
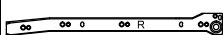




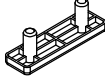
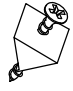



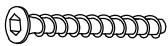

Parts

					
Top panel	Plinth	Middle panel	Left side panel	Right side panel	Back panel
1	1	1	1	1	1
					
Front board	Bottom back board	Reinforcement	Drawer front panel	Drawer front panel	Drawer back panel
4	1	1	4	2	4
					
Drawer back panel	Drawer bottom panel	Drawer bottom panel	Drawer L side panel	Drawer R side panel	
2	4	2	6	6	

Fittings

					
Wooden dowel (Ø6x30mm)	Wooden dowel (Ø8x30mm)	Cam bolt	Cam lock (Ø15x12mm)	Cam lock (Ø12x10mm)	Plastic dowel
12	20	44	20	24	24



g	h	i	j	k	l
					
Nail	Runner left A	Runner right A	Screw ($\varnothing 6,3 \times 10,5 \text{mm}$)	Runner left B	Runner right B
40	6	6	24	6	6
m	n	o	p	q	r
					
Screw ($\varnothing 3 \times 16 \text{mm}$)	Feet	Drawer base support	Wall strap ($12 \times 150 \text{mm}$)	Screw ($\varnothing 3,5 \times 13 \text{mm}$)	Underlay ($\varnothing 15 \text{mm}$)
24	4	12	1	1	1
s	t				
					
Socket head screw ($\varnothing 7 \times 50 \text{mm}$)	Socket head key (L 4mm)				
1	1				

Care Instructions

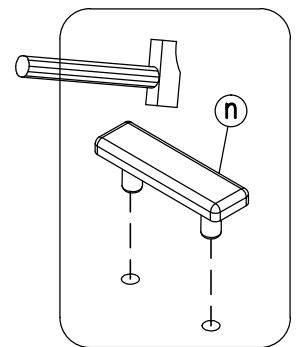
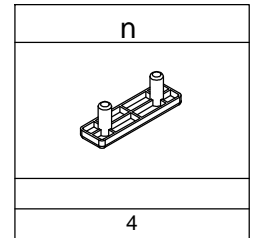
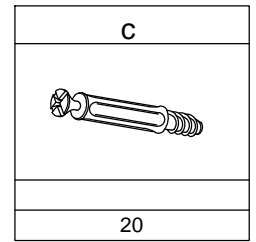
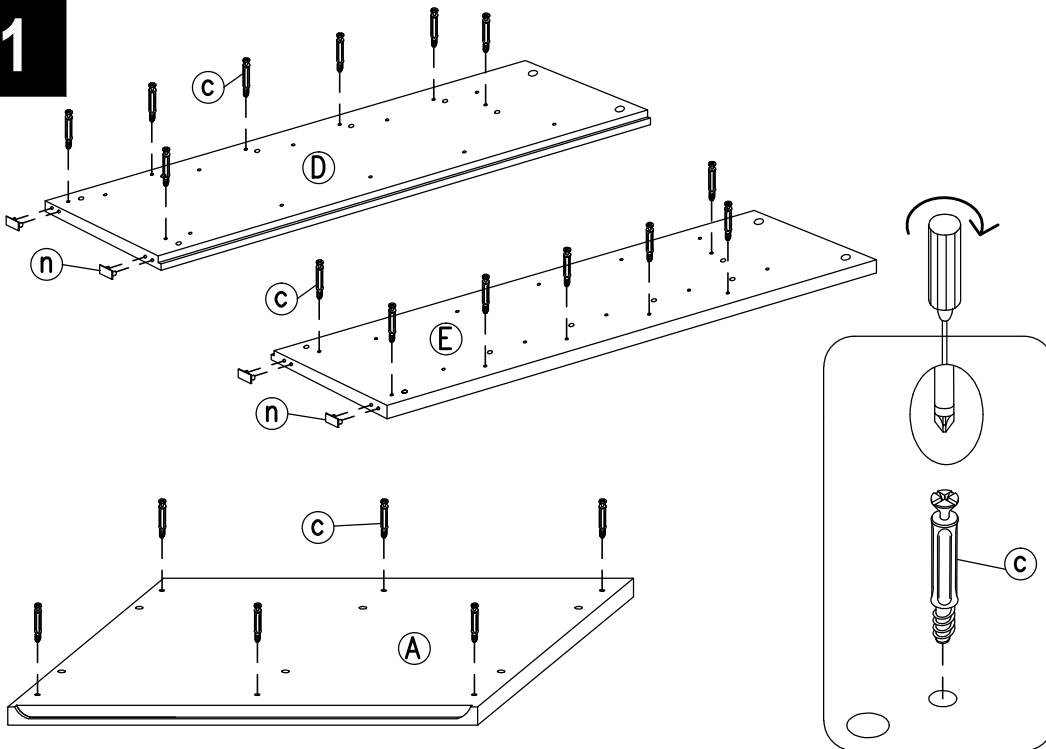
- Clean surface with a slightly damp cloth and wipe dry using a soft cloth.
- Do not use detergents, abrasive cleaning products or cleaning products which may contain ammonia or solvents, as these may damage the surface finish.
- To properly protect wood, it must not be exposed to excessive heat or humidity.
- Periodically check and tighten all fixings.

Check all parts and fittings are present before starting to assemble

In the unlikely event that the parts supplied are damaged or missing, please contact the helpline on 0870 160 1490 for a replacement. Your statutory rights are not affected.

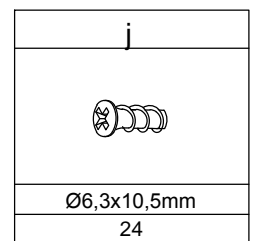
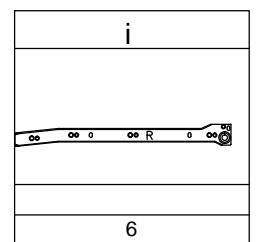
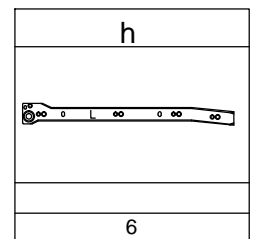
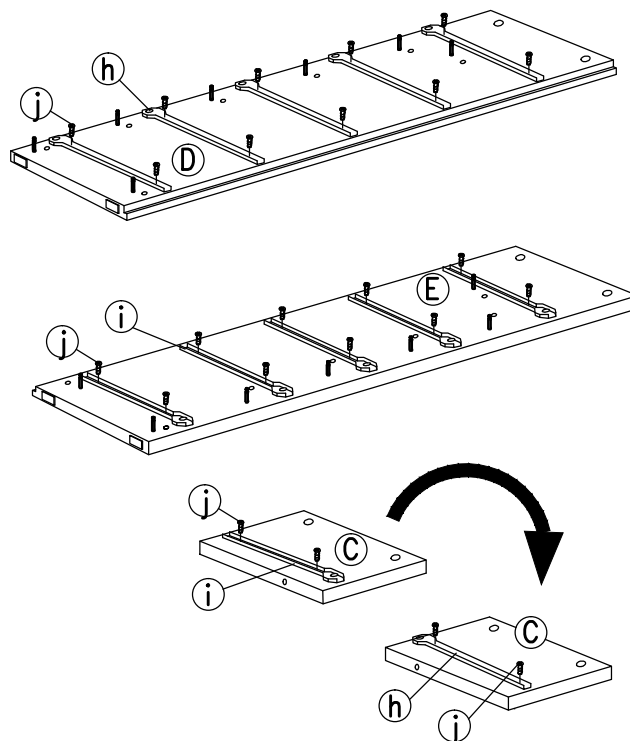
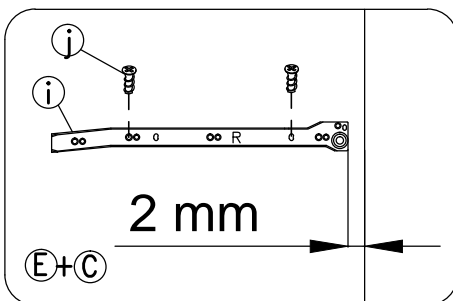
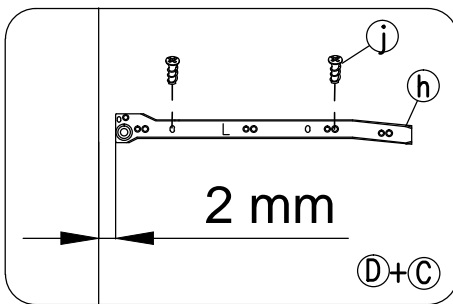
Assembly

1

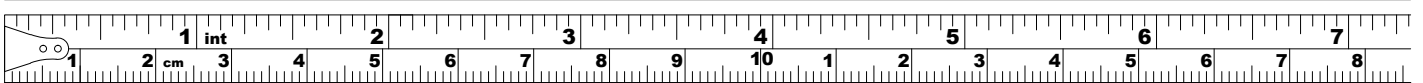


- Fit the cam bolt (c) to top panel (A), left / right side panels (D&E).
- Fit the feet (n) to left / right side panels (D&E).

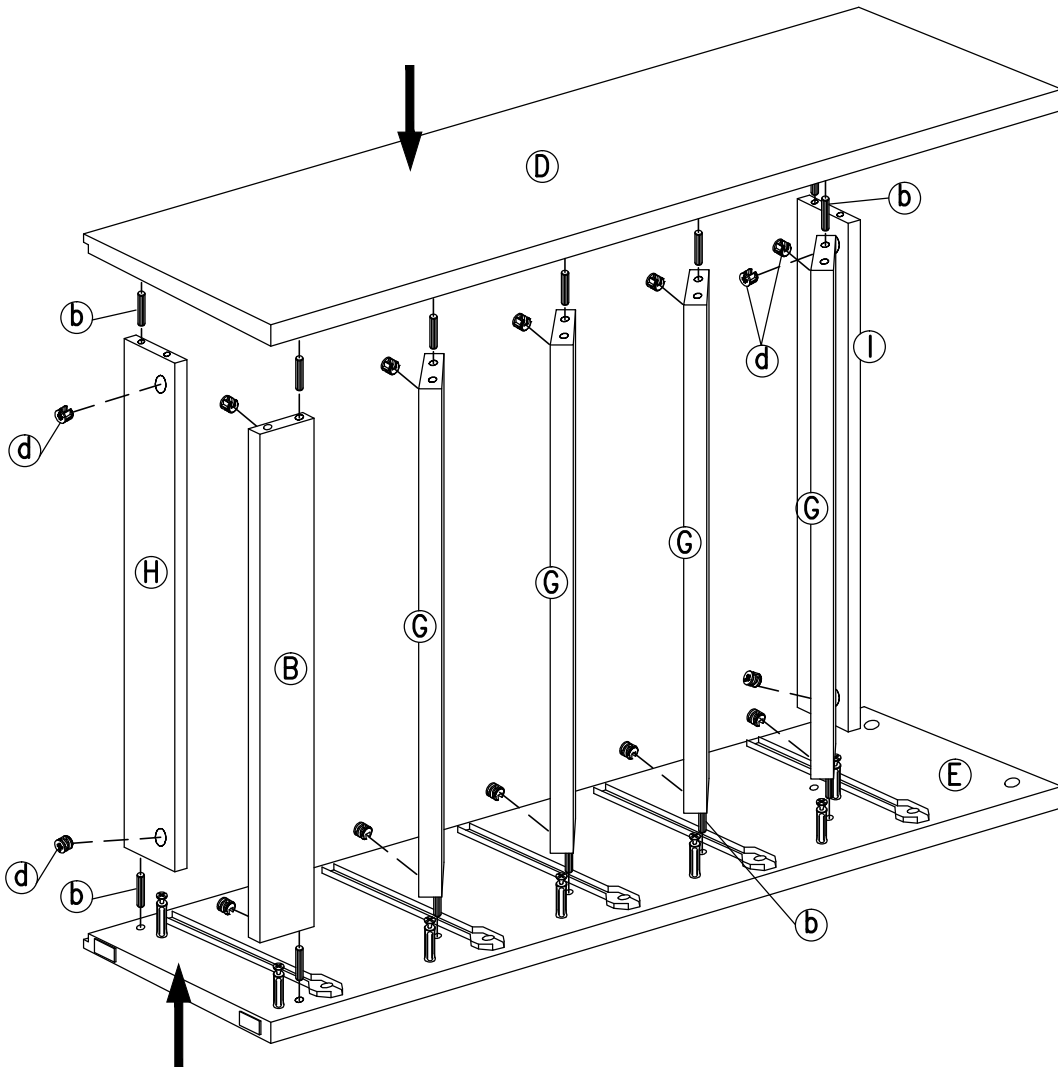
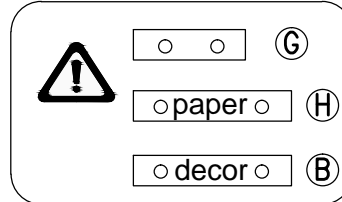
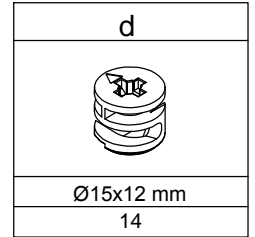
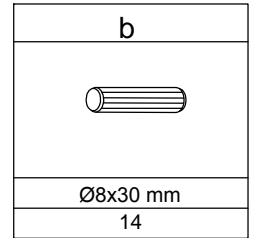
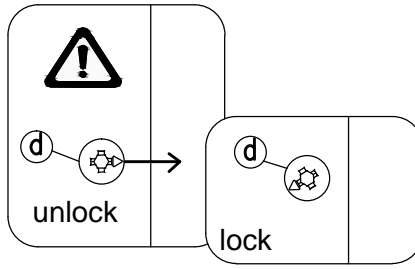
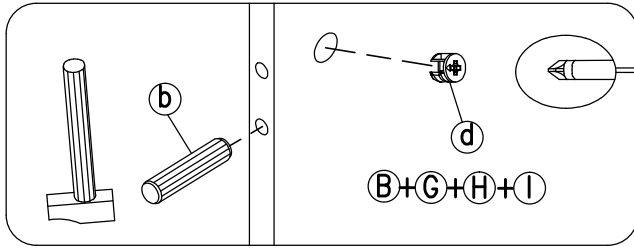
2



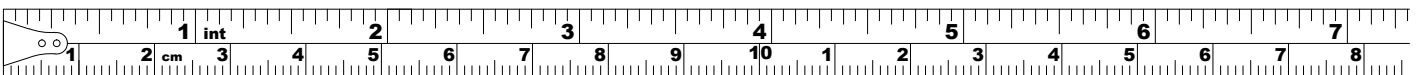
- Position left runner A (h) and right runner A (i) on to the drilled holes of the left / right side panel (D&E) and middle panel (C).
- Fix through holes shown using screws (j).

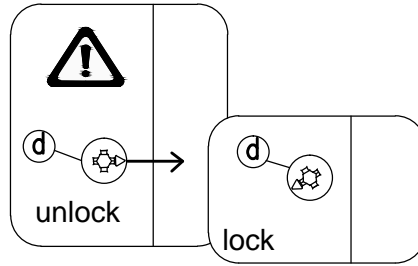
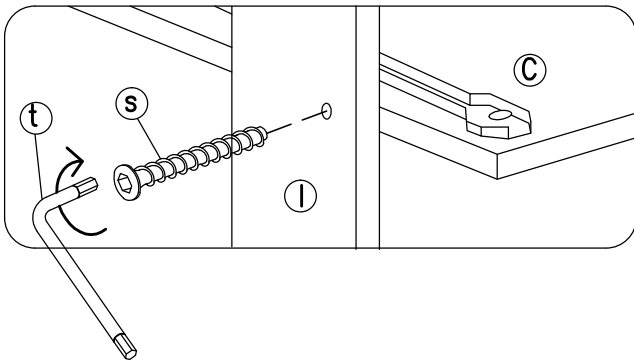


3



- Attach plinth (B), front board and bottom back board (G&H) and reinforcement (I) to the left / right side panel (D&E) with wooden dowel (b), then insert cam lock (d) into the holes as pictured on the underside of panels and tighten.



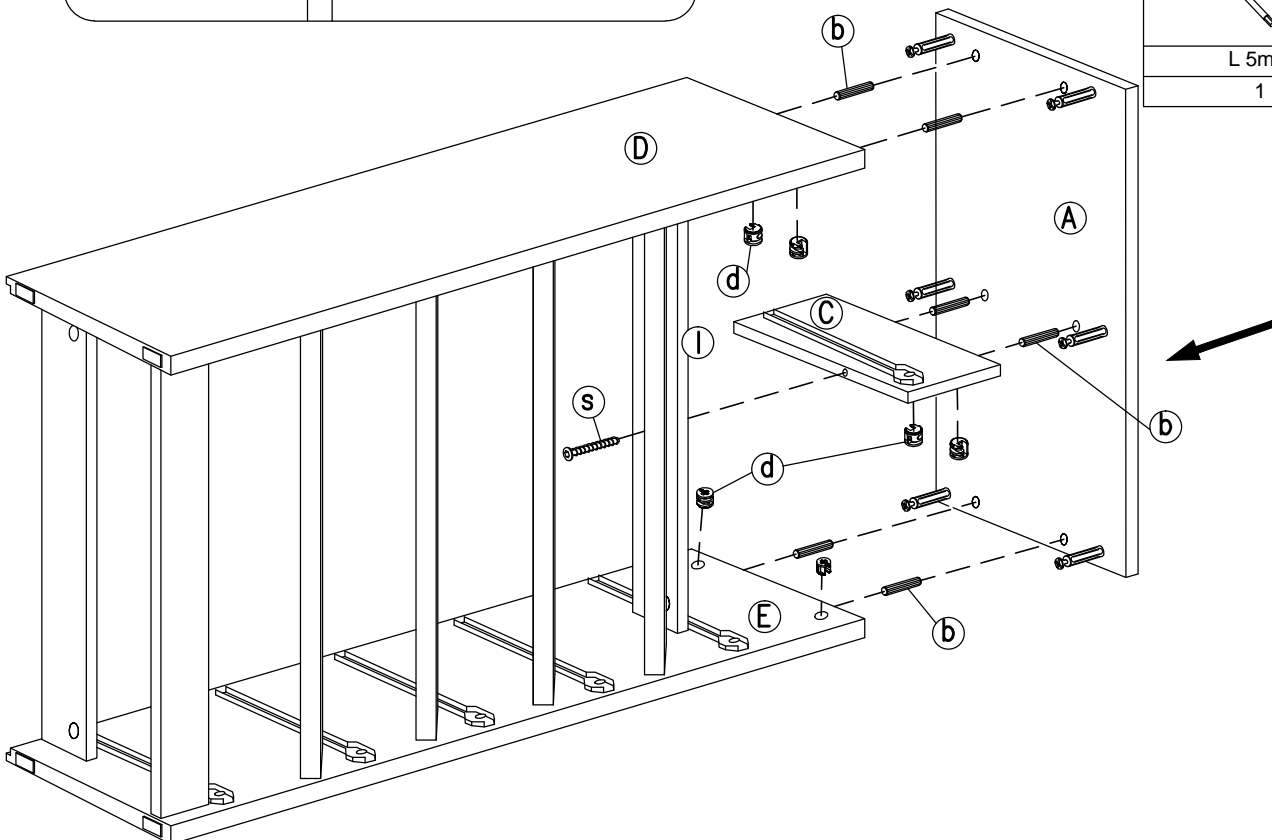
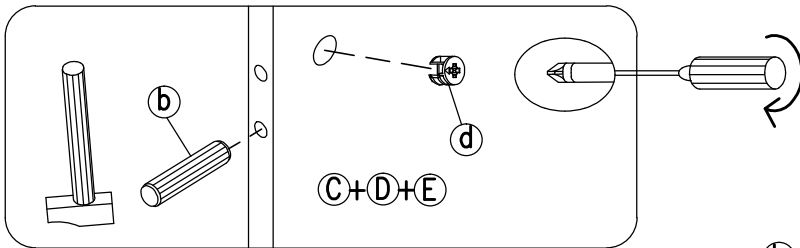


b
Ø8x30mm
6

d
Ø15x12mm
6

s
Ø7x50mm
1

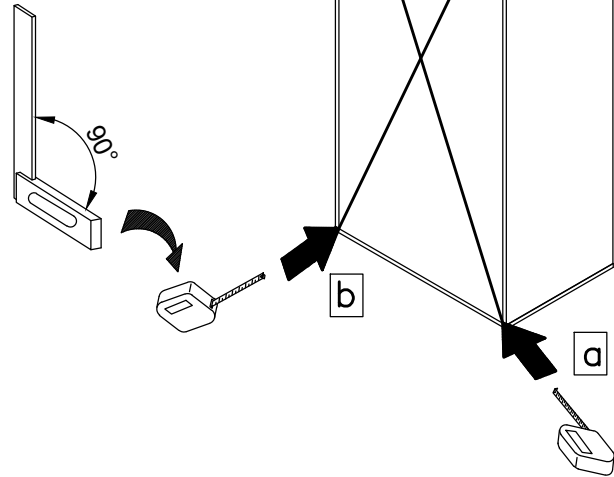
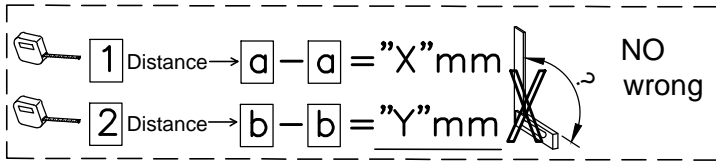
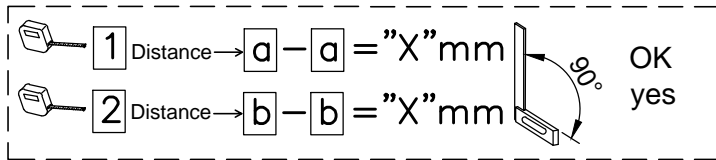
t
L 5mm
1



- Attach top panel (A) to the left / right side panel (D&E) and middle panel (C) with wooden dowel (b), then insert cam lock (d) into the holes as pictured on the underside of panels and tighten.
- Fix middle panel (C) with socket head screw (s) using socket head key (t).

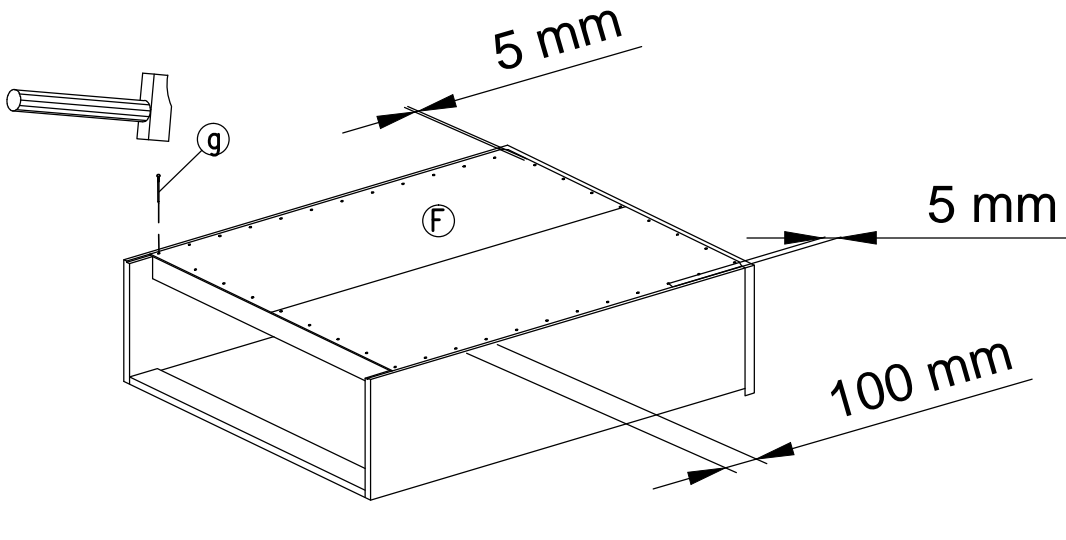
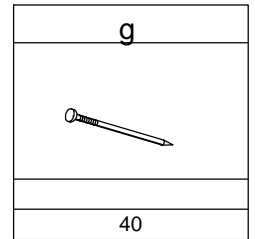
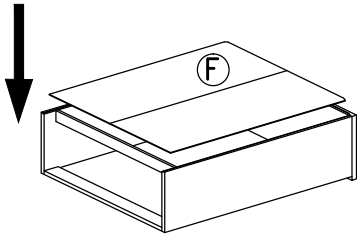


5



- Before fixing the back panel (F), the diagonal lines must be equal. ("a" to "a" and "b" to "b")

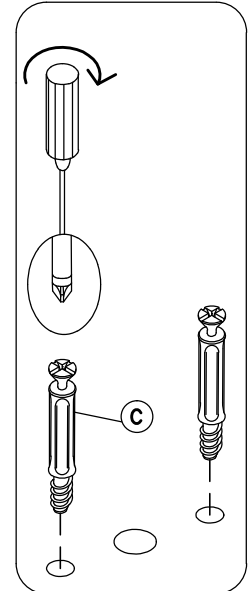
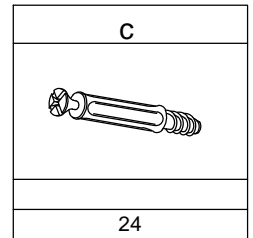
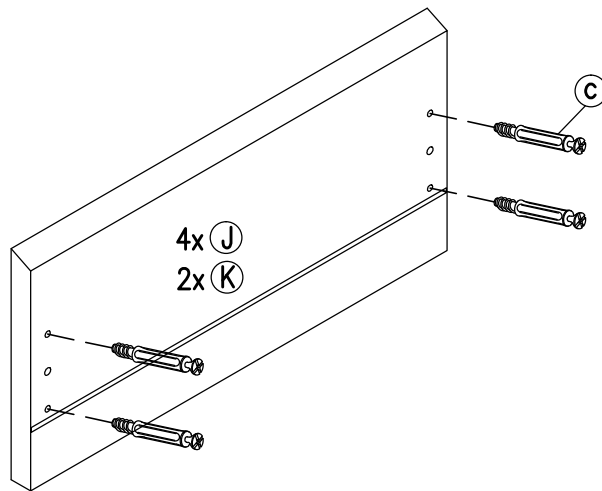
6



- Turn the carcass on the front.
- Position nails (g) 5 mm in from side edge of the back panel (F) with distance 100 mm between each other. Fix them using the hammer.

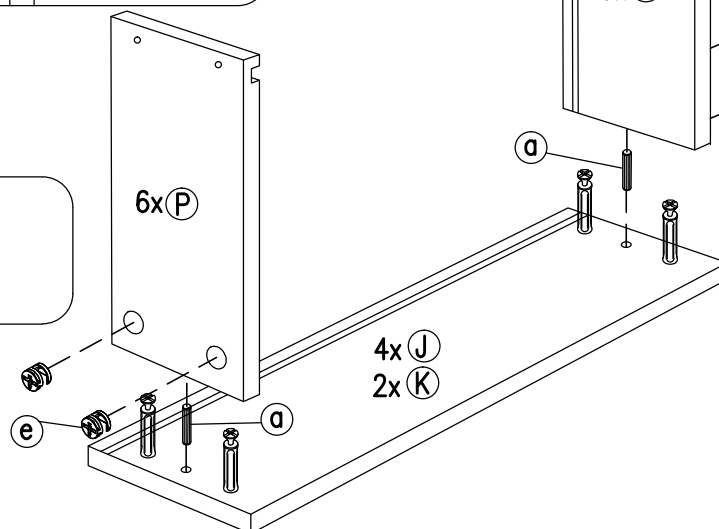
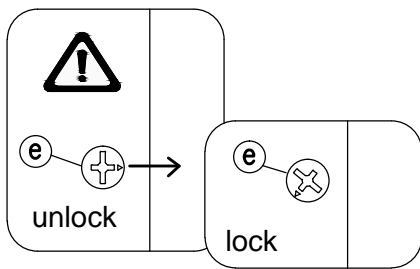
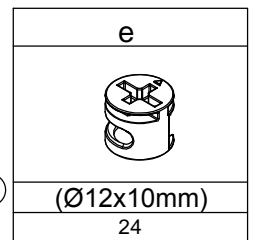
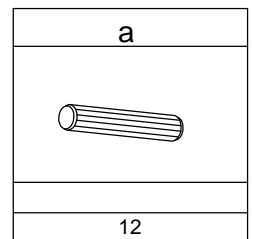
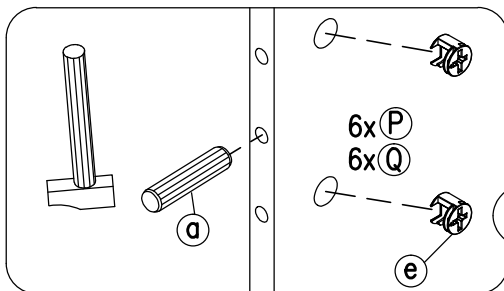


8



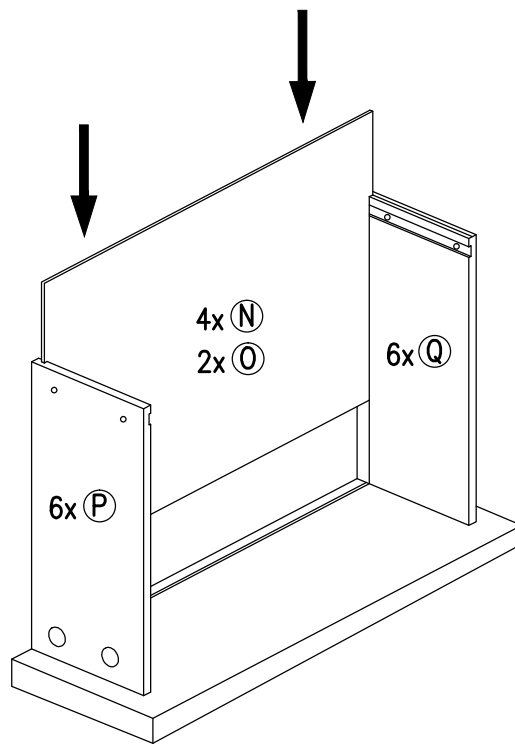
- Fit the cam bolt (c) to drawer front panel (J&K).

9

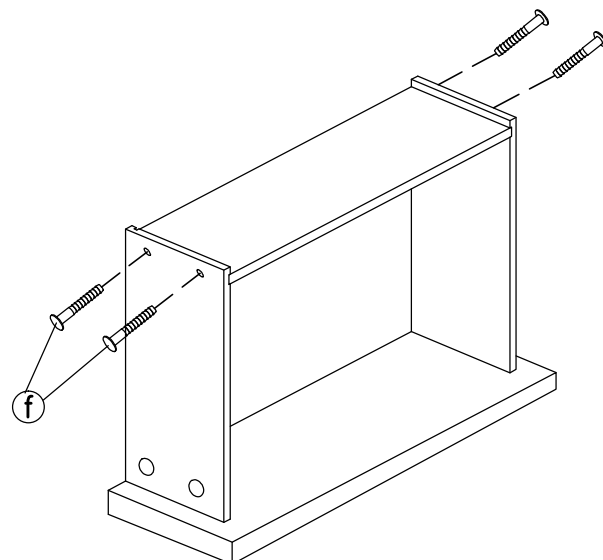
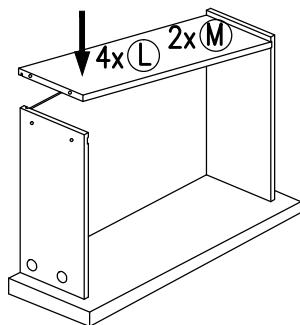
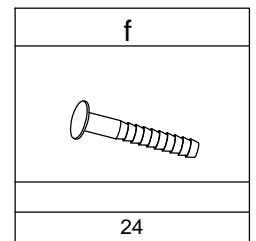
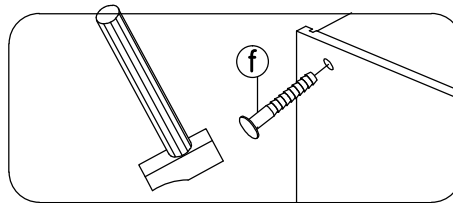
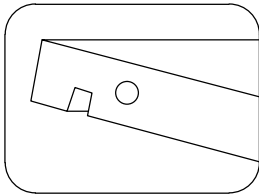


- Attach drawer front panel (J&K) to the drawer left / right side panel (P&Q) with wooden dowel (a), then insert cam lock (e) into the holes as pictured on the underside of drawer left / right side panel (P&Q) and tighten.

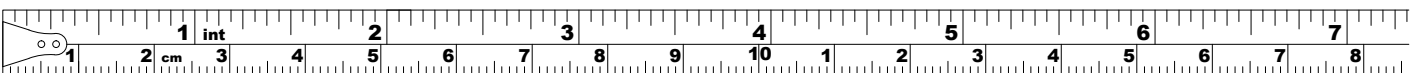


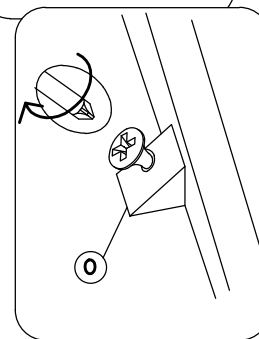
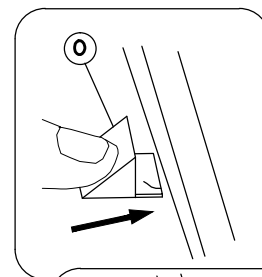
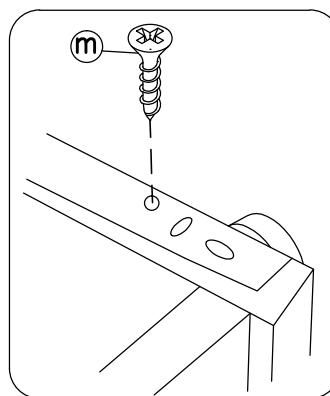
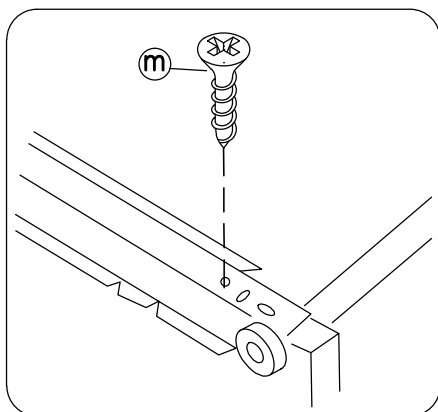
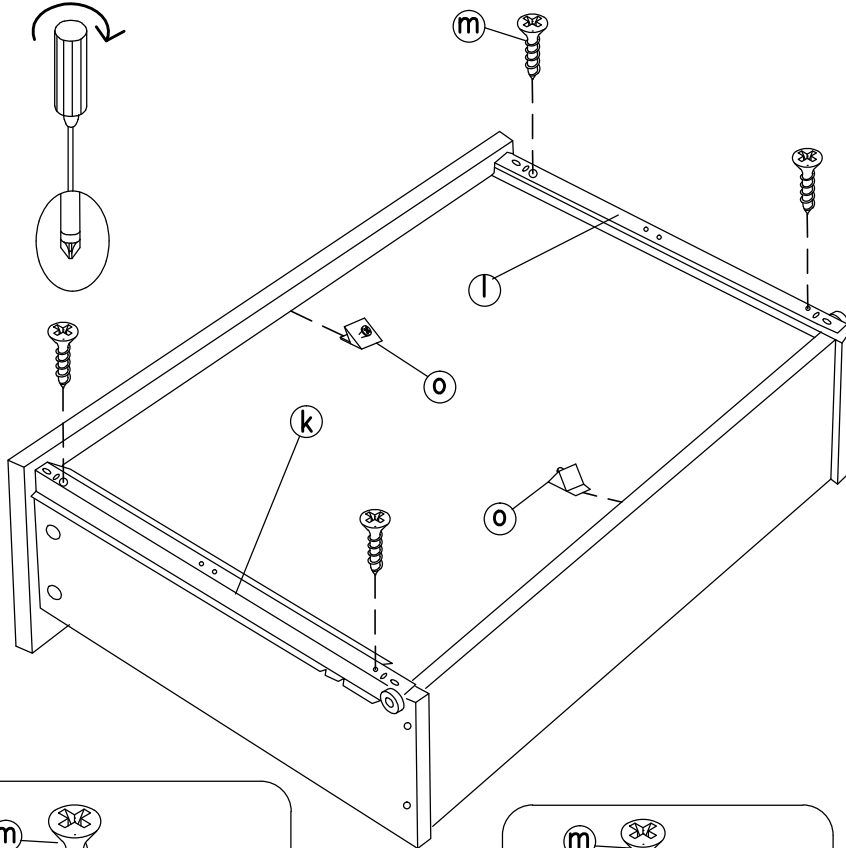
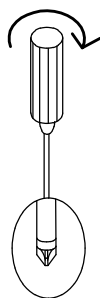
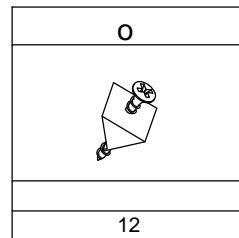
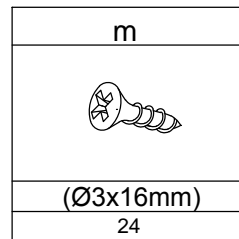
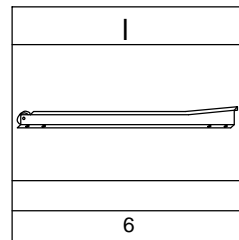
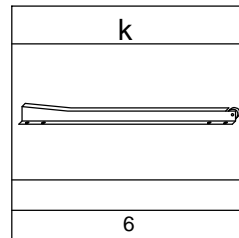
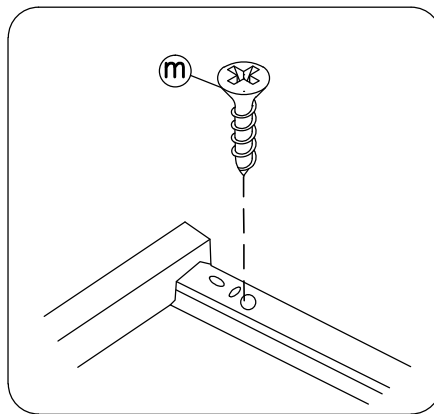
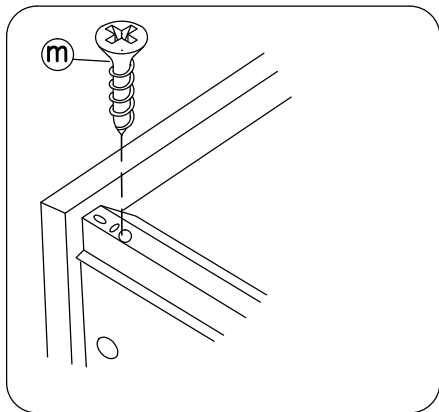
10

- Slide drawer bottom panel (N&O) into the grooves.

11

- Place drawer back panel ((L&M) onto sides (P&Q).
- Insert plastic dowels (f) into left and right drawer sides (P&Q) and fix it together using the hammer.






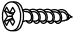
- Position left runners B (k) and right runners B (l) on to the left / right side panel (P&Q).
- Fix using screws (m).
- Positions 2 drawer base supports (o) onto the large drawers as shown. Fix using supplied screw.




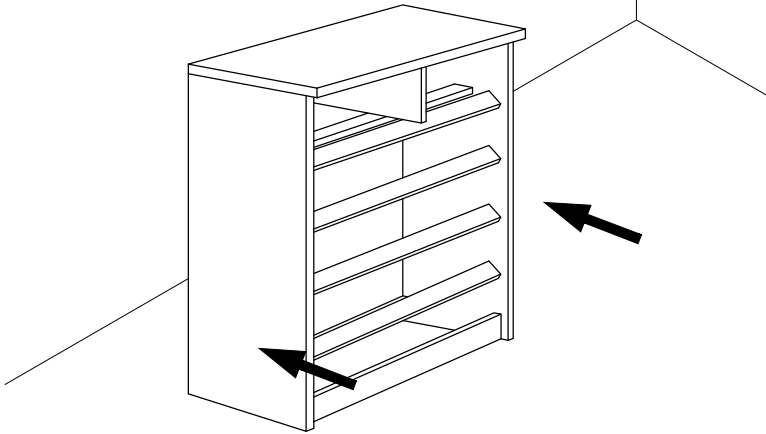


Warning: Before drilling, check wall for hidden pipes and cables. With help, move chest into position.

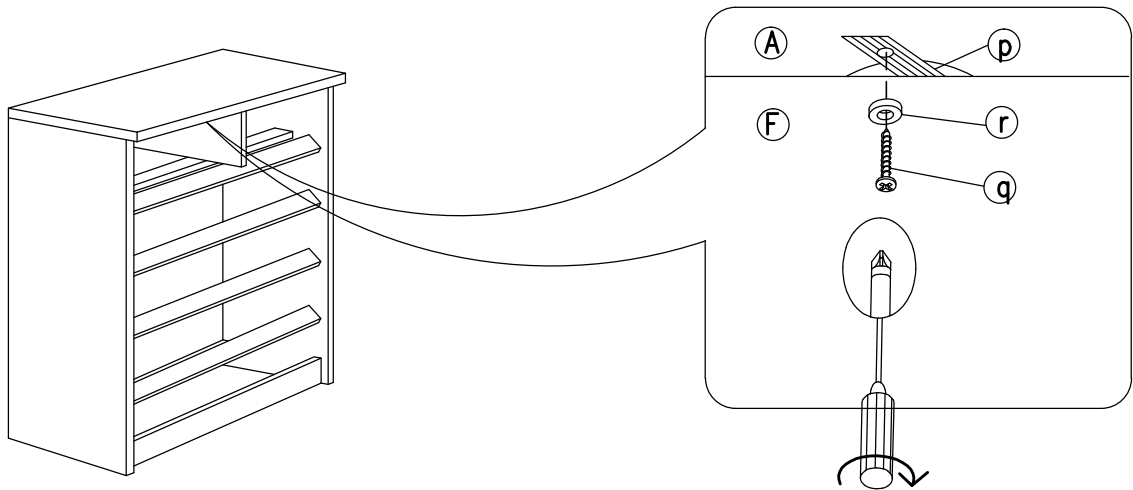
p

12x145mm
1

q

Ø3,5x13mm
1

r

Ø15mm
1



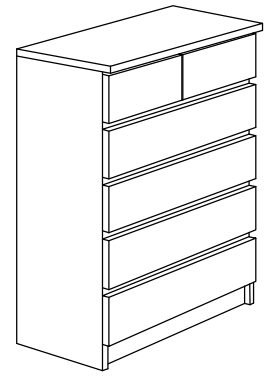
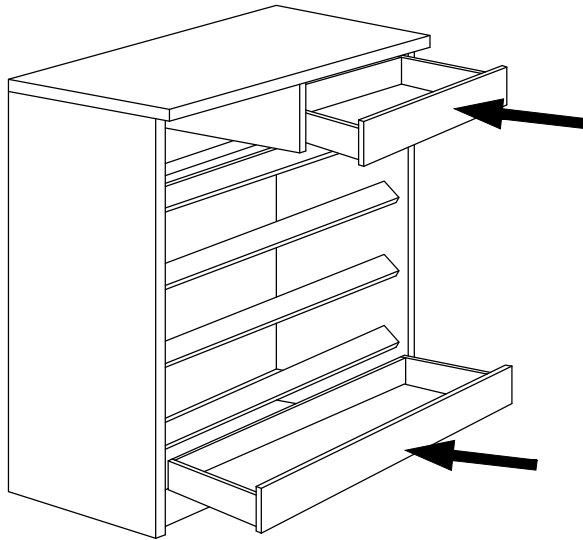
- Mark fixing hole onto wall. Drill a hole and insert a suitable wall plug. Fix wall strap (h) using a suitable screw.
- **Note:** Wall fixings are not supplied with this unit.
- The correct type of fixing must be used for your wall, seek professional advice if in doubt.



- Fit the wall strap (h) onto top panel using screw (i) and underlay (j).



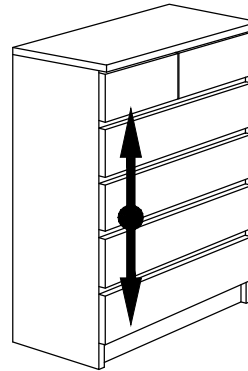
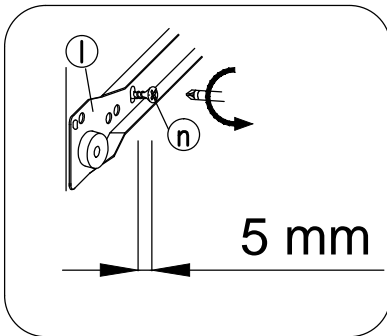
14



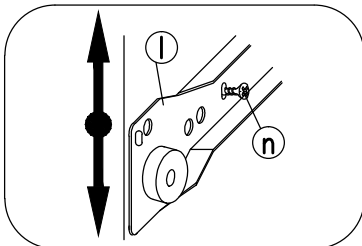
- Insert the drawers moving up and down as shown and ensure that wheels fit onto left and right runners.

15

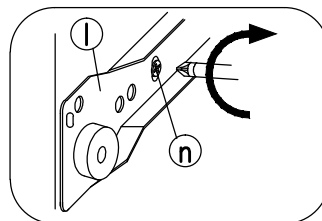
a:



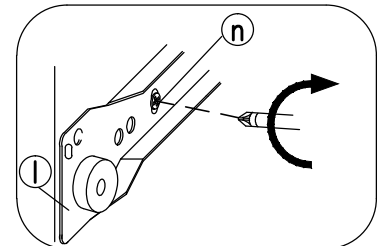
b:



c:



d:



- To move drawers up or down: loosen screws (n) as shown and move runners (l&m) up or down as required.

