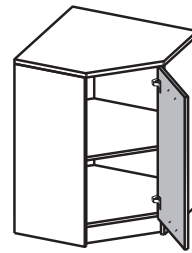
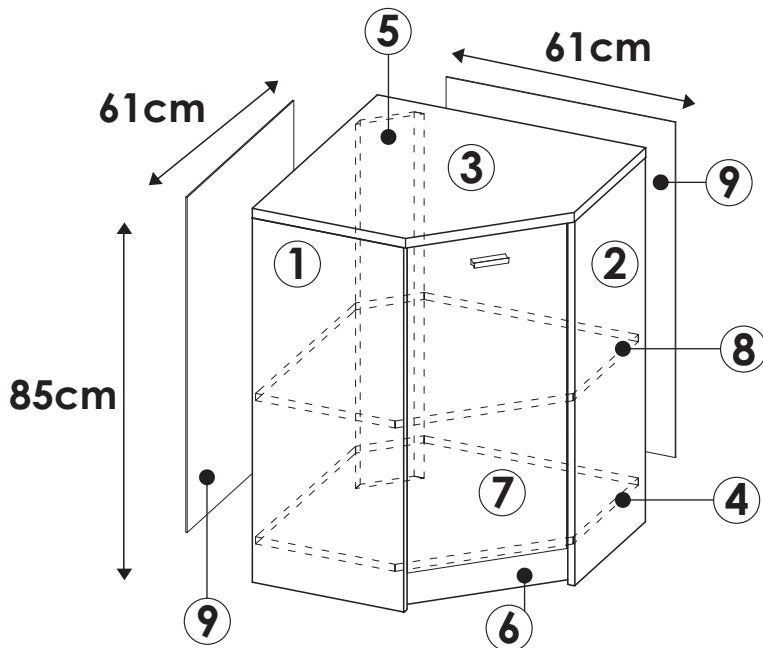
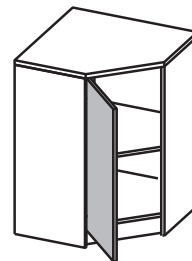


4YOU

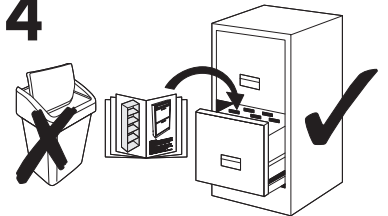
K1-1DN



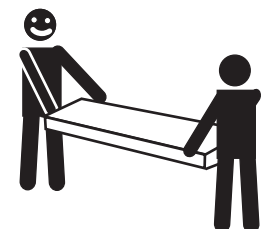
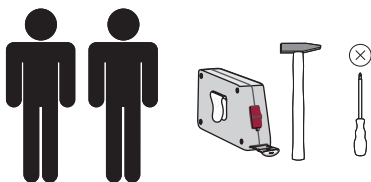
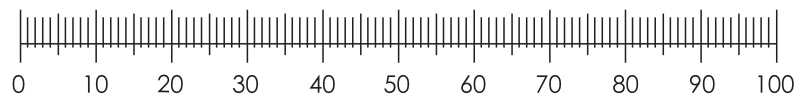
1-7



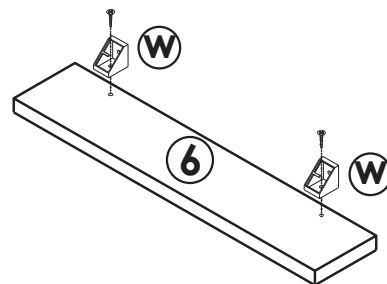
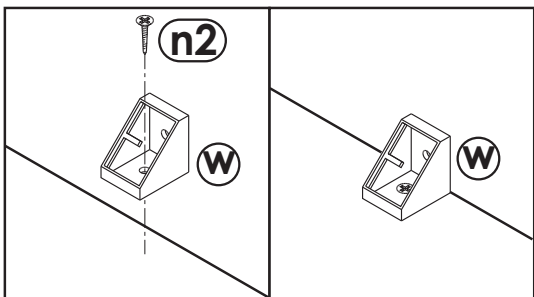
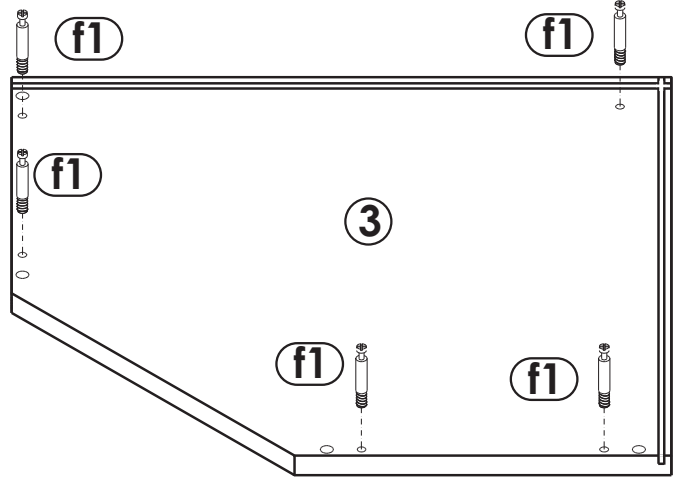
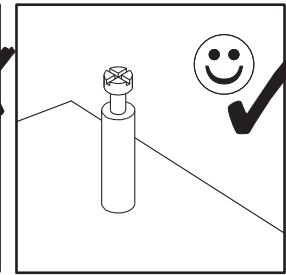
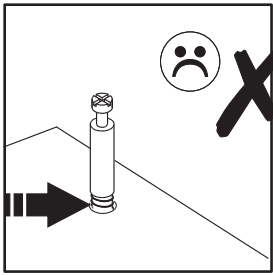
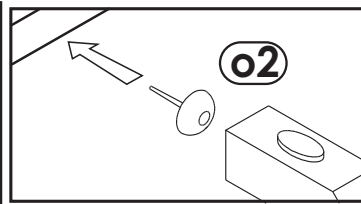
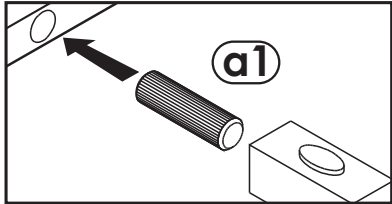
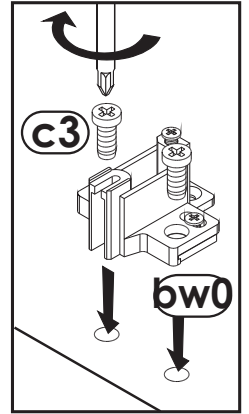
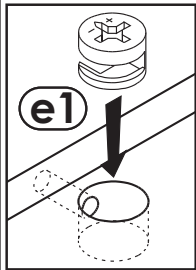
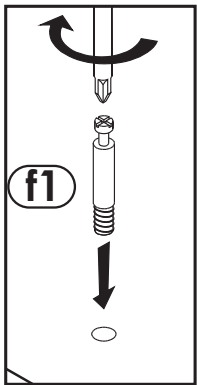
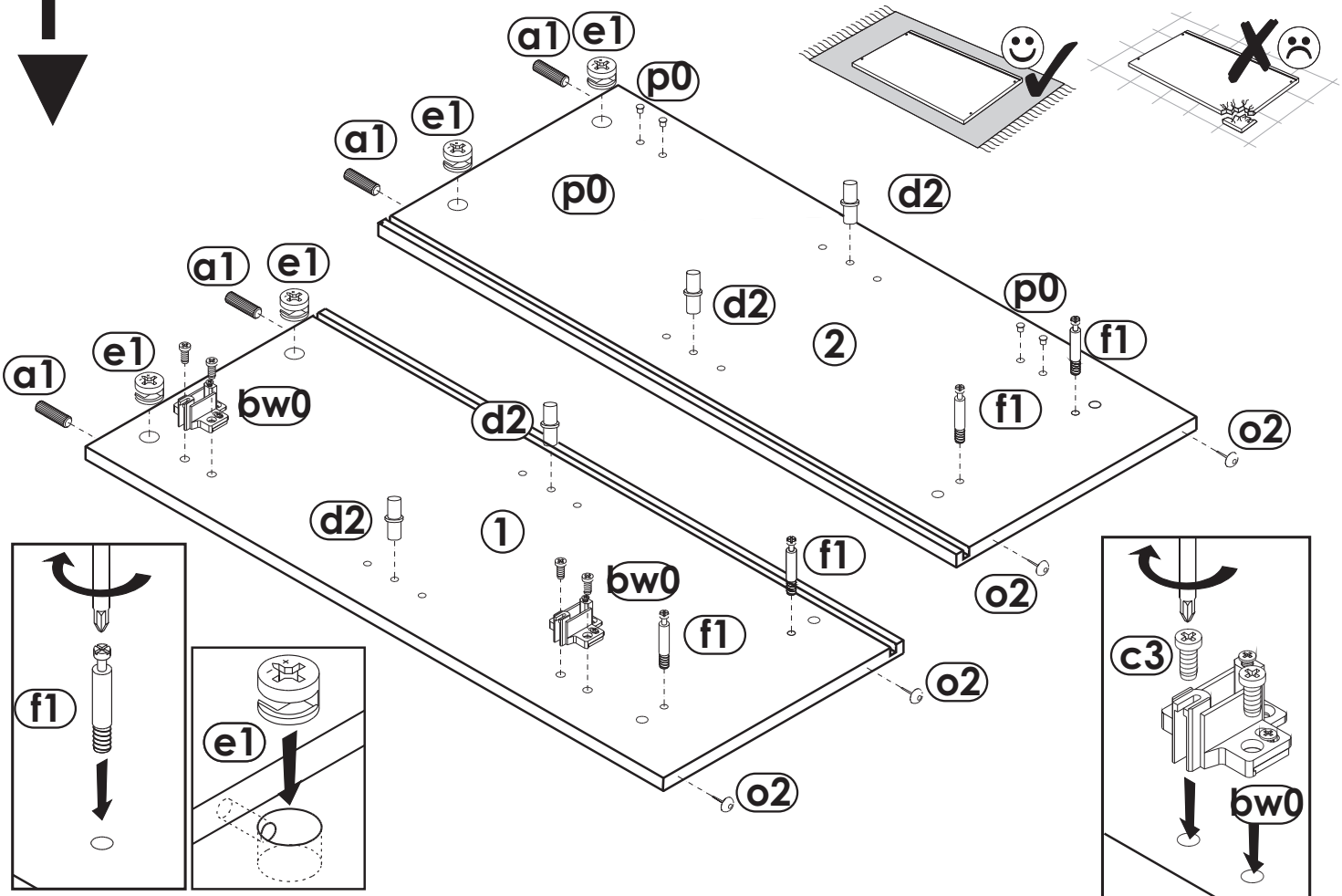
8-14

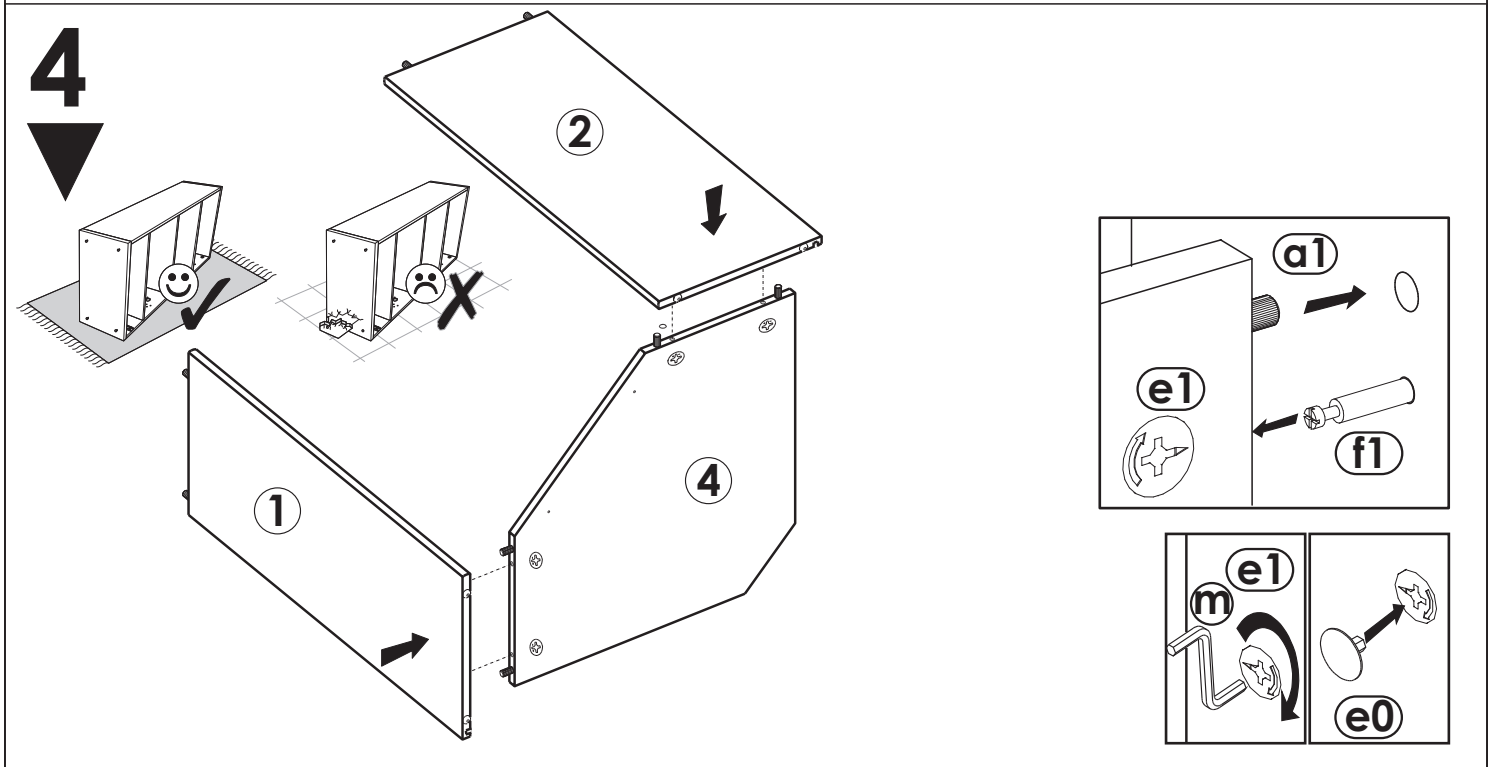
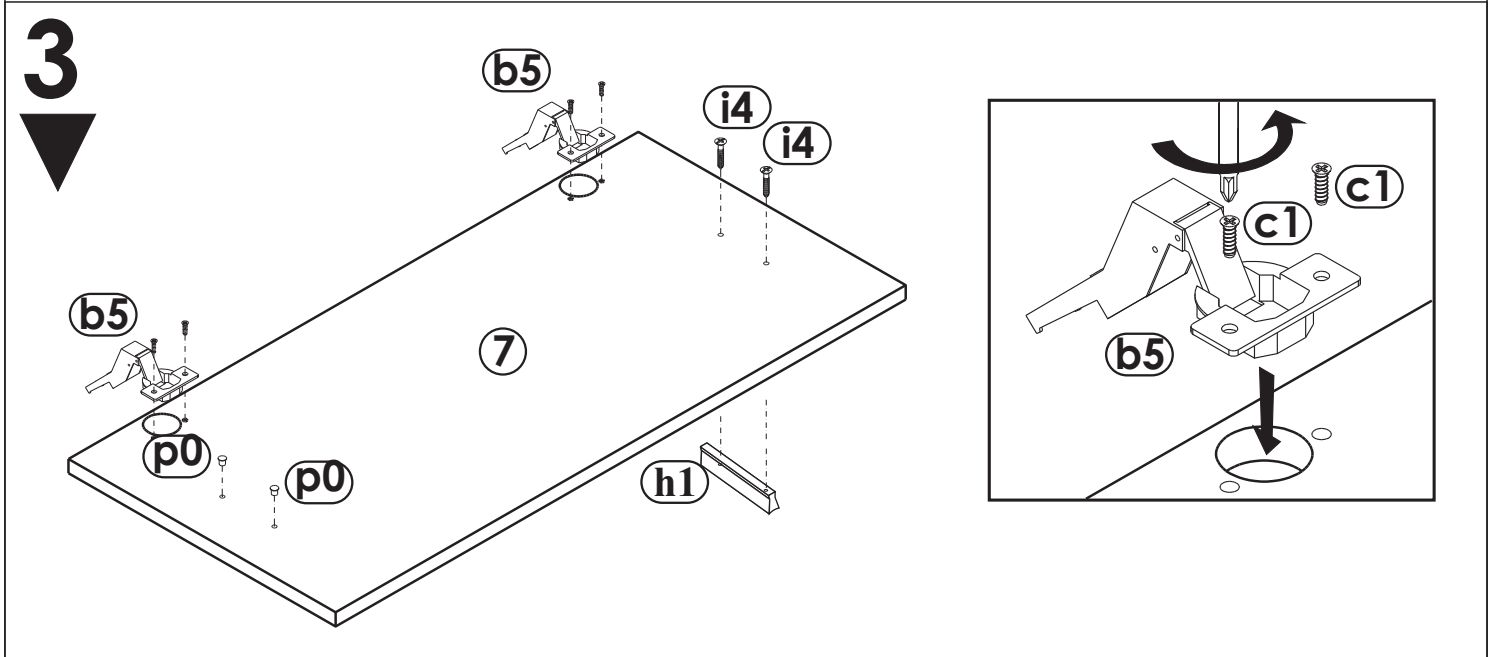
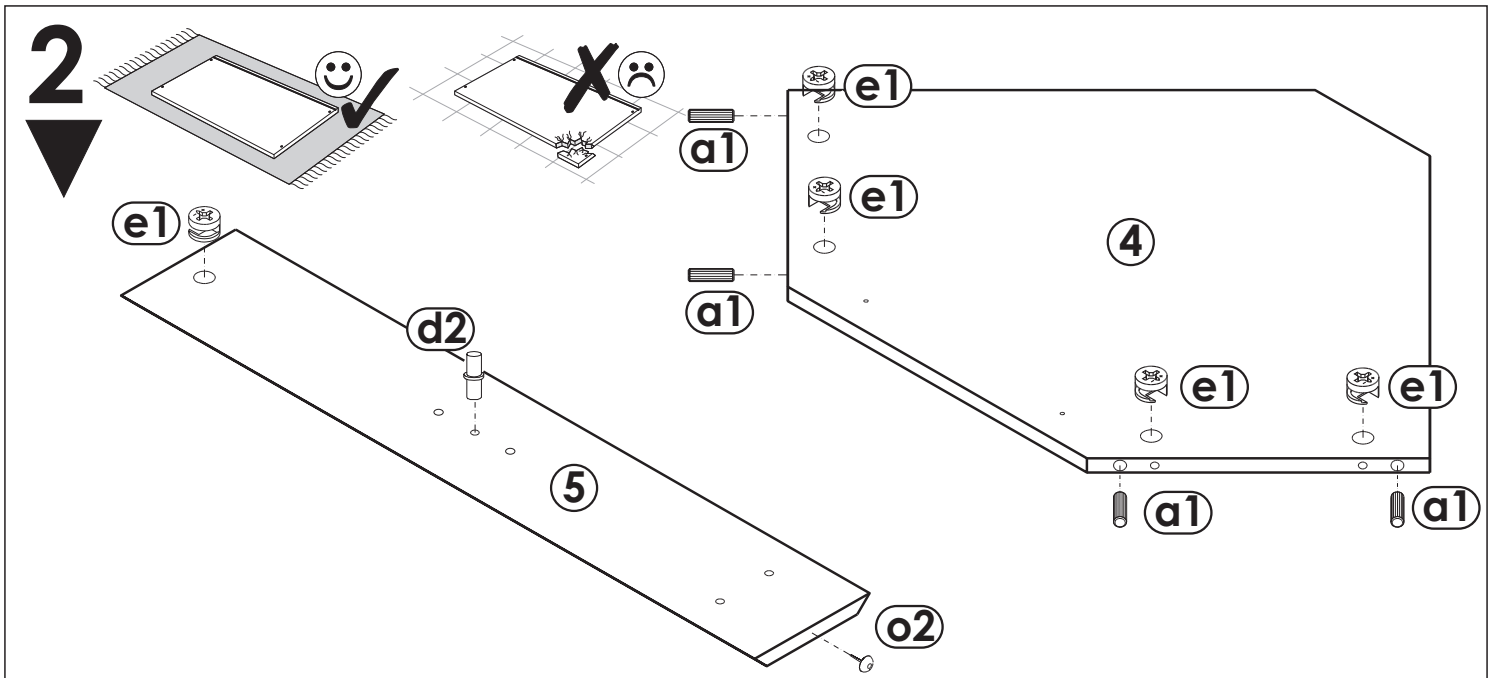


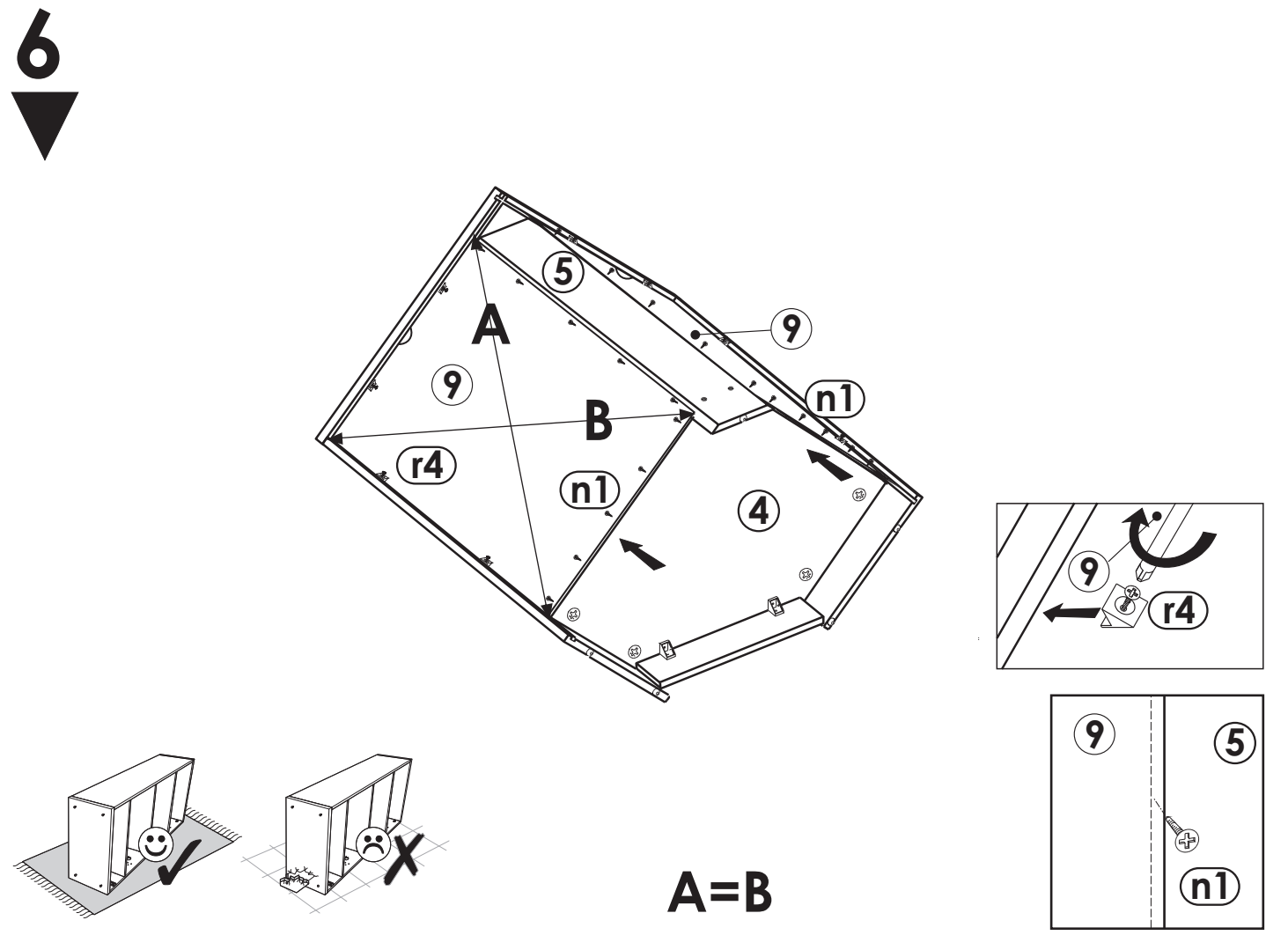
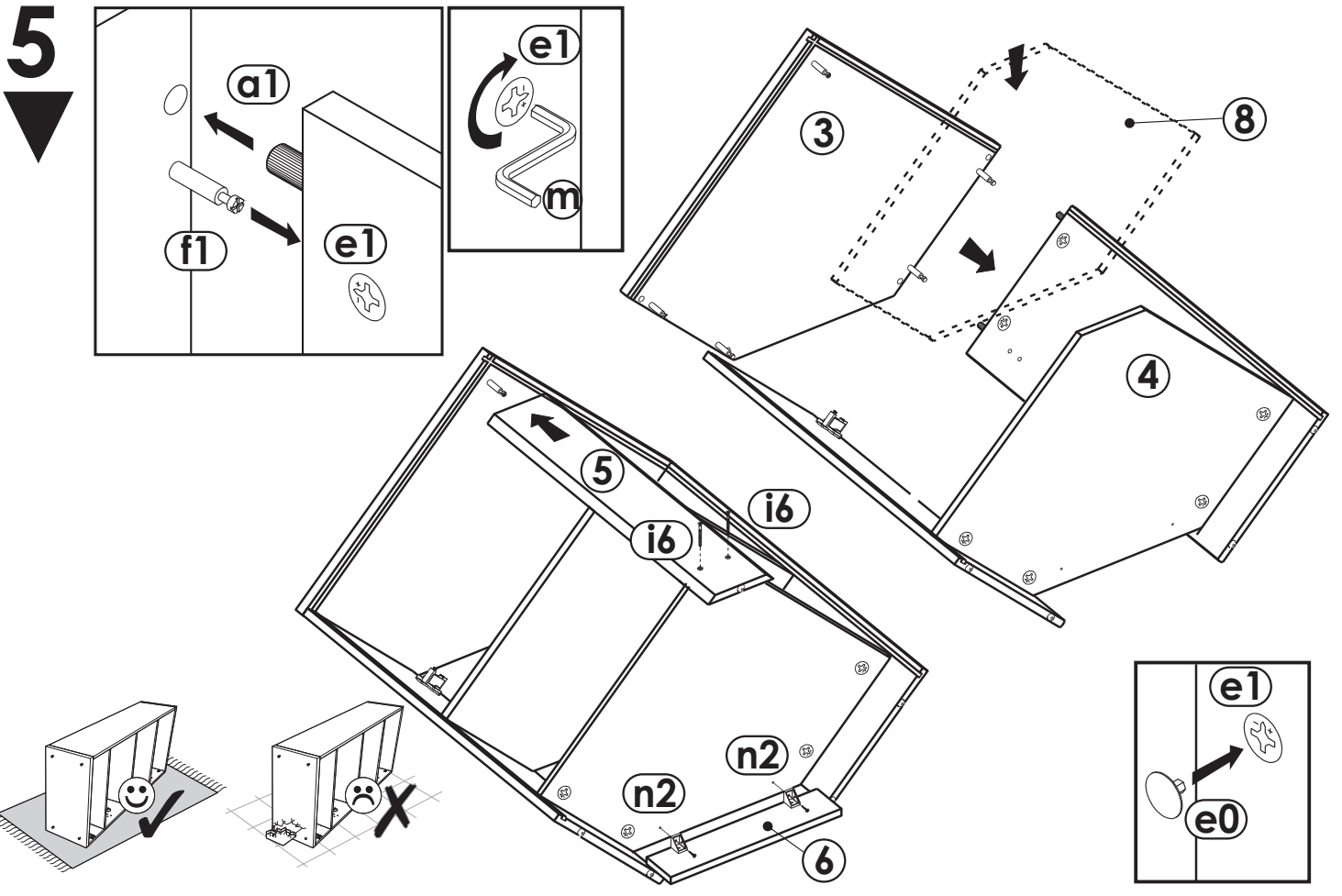
a1 8x35 x....(x8)	bw0 x....(x2)	b5 x....(x2)	c1 Euro 4x13 x....(x4)	c3 Euro 6x13 x....(x4)	d2 x....(x5)	e0 x....(x9)	
e1 x....(x9)	f1 x....(x9)	h1 x....(x1)	i2 4x16 x....(x1)	i4 3,5x27 x....(x2)	i6 3,5x40 x....(x2)		
m x....(x1)	n1 3x16 x....(x20)	n2 3,5x16 x....(x4)	o2 x....(x5)	p0 x....(x6)	q x....(x1)	r4 x....(x8)	w x....(x2)



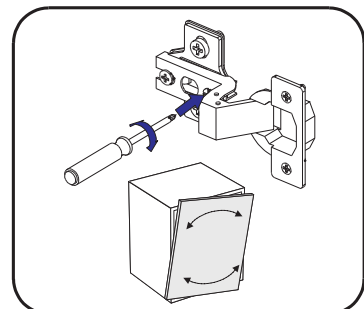
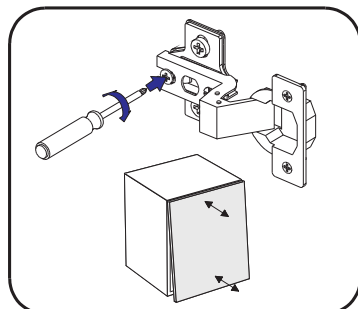
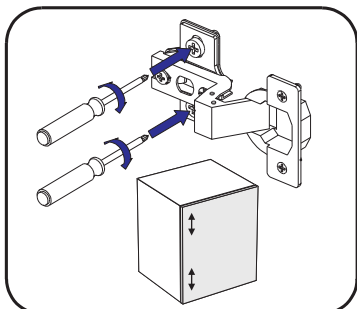
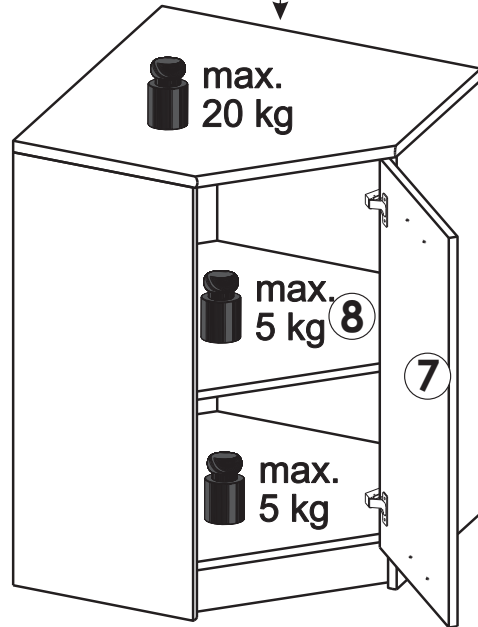
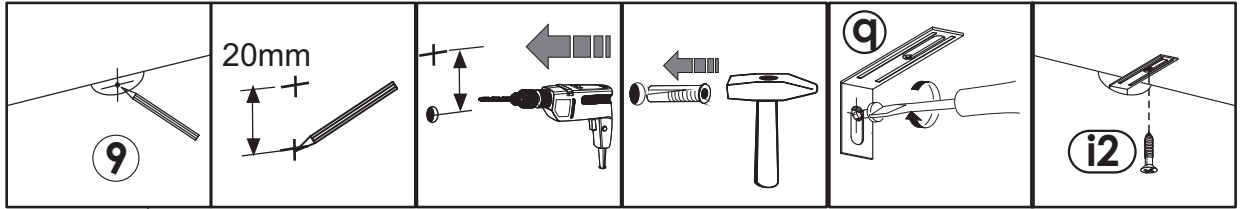
1



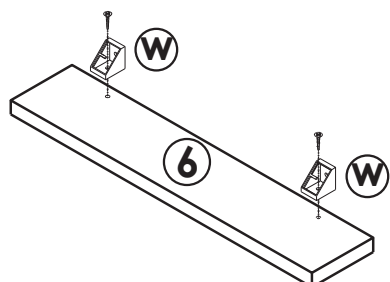
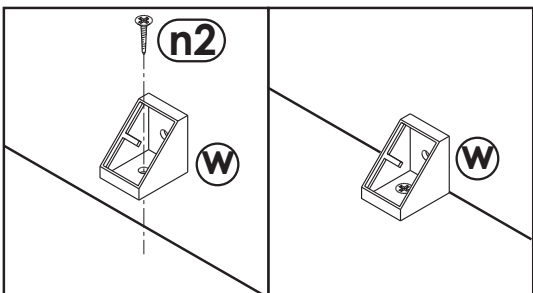
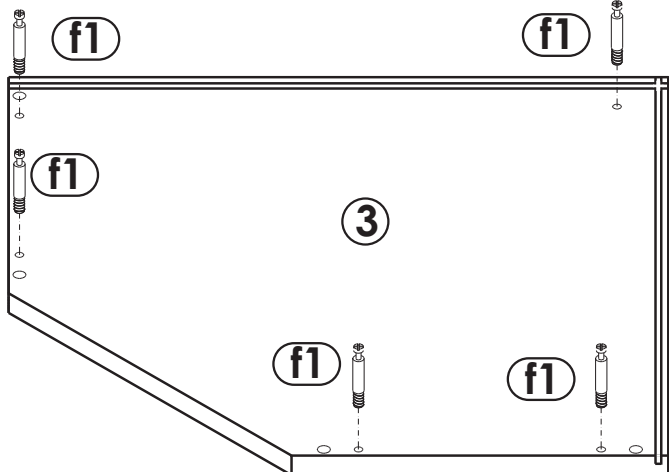
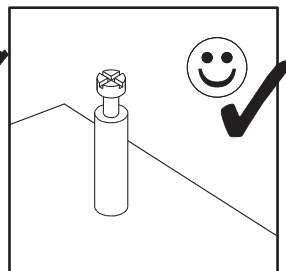
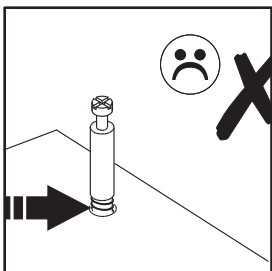
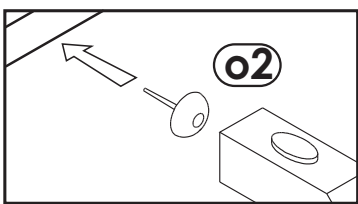
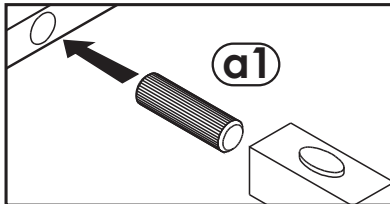
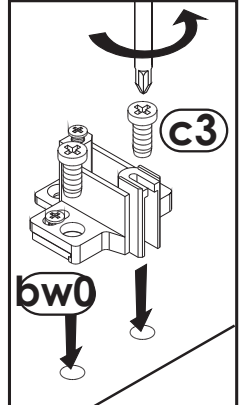
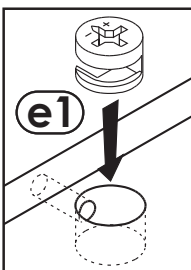
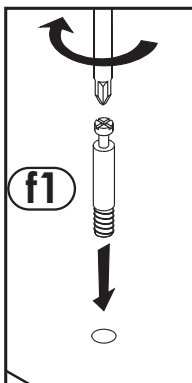
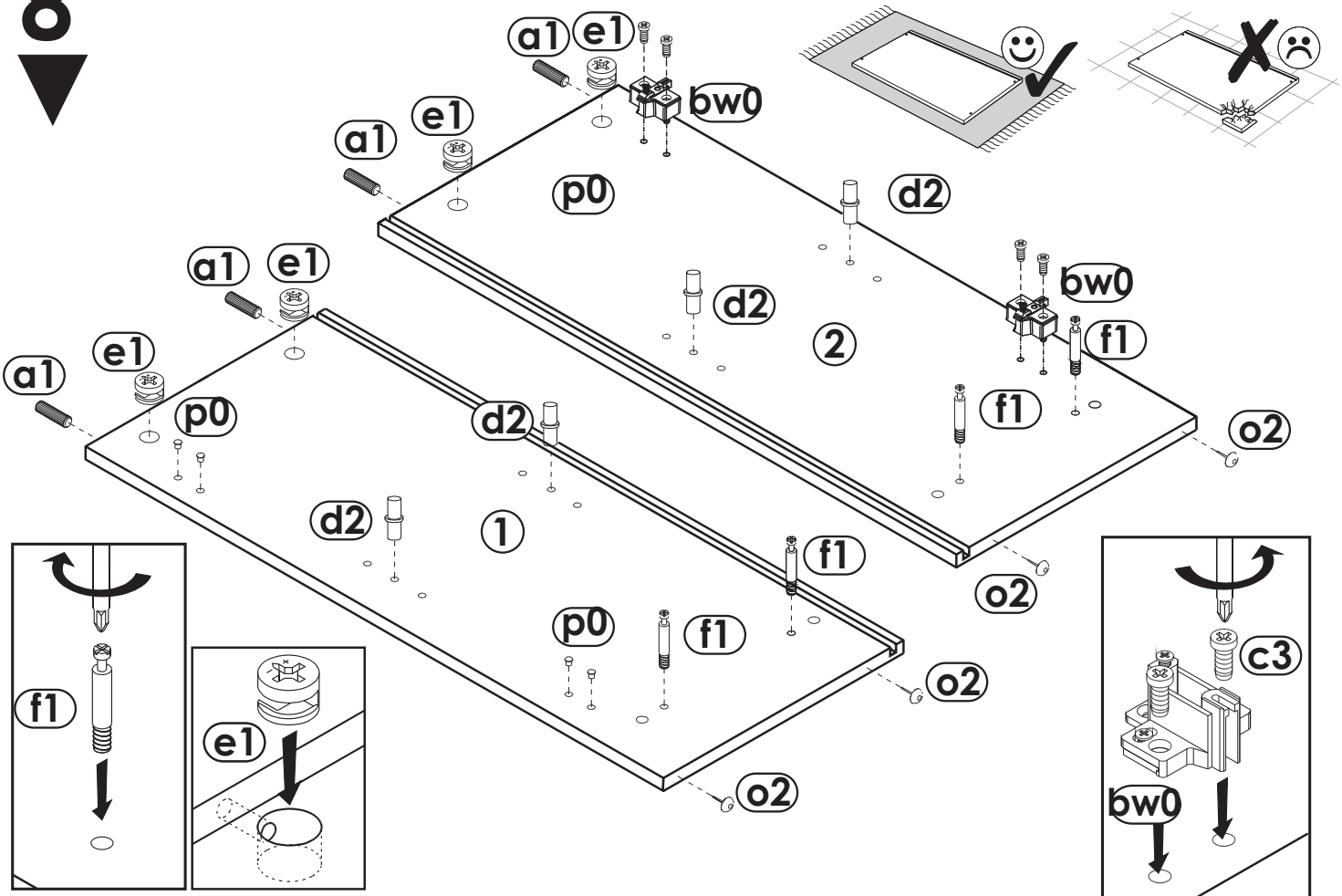


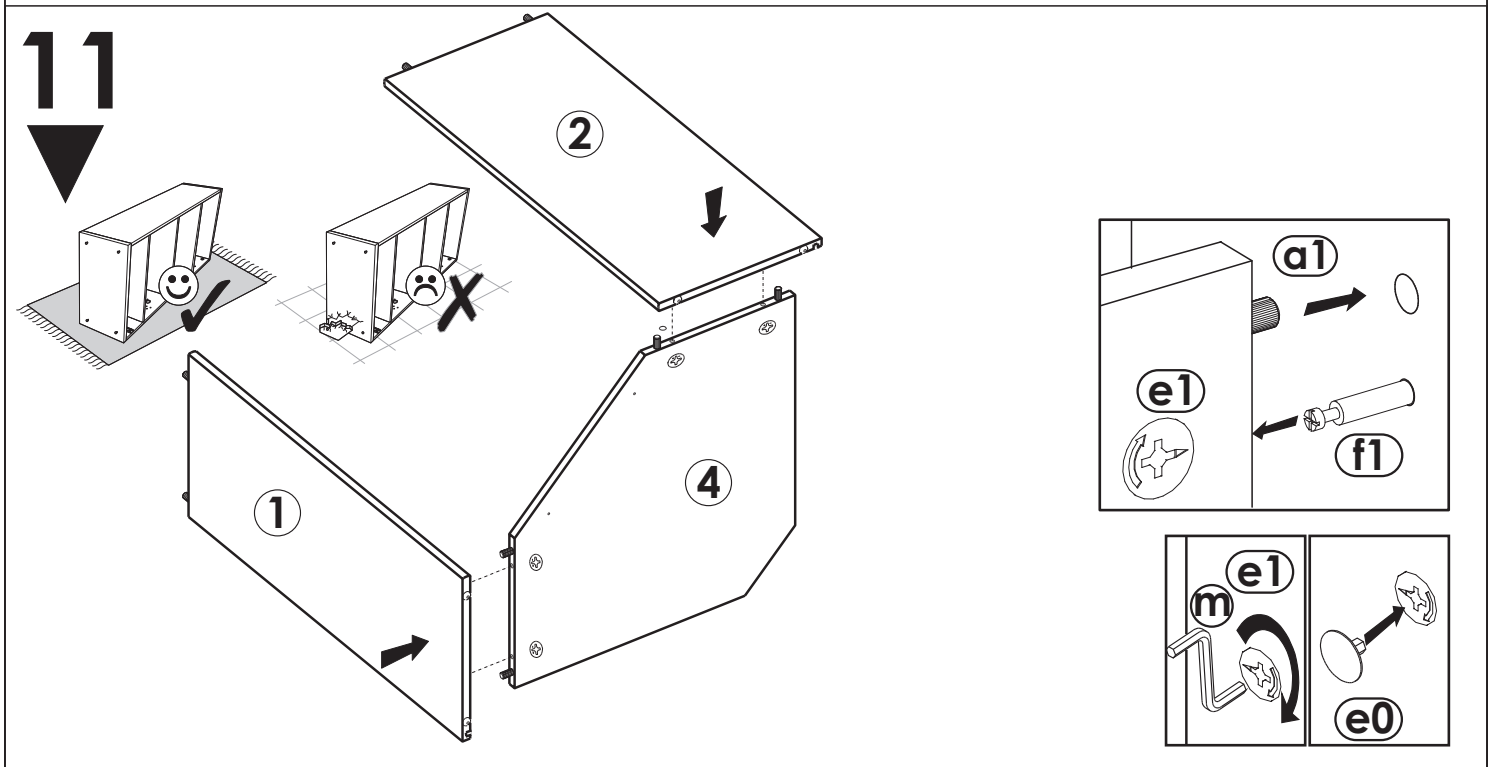
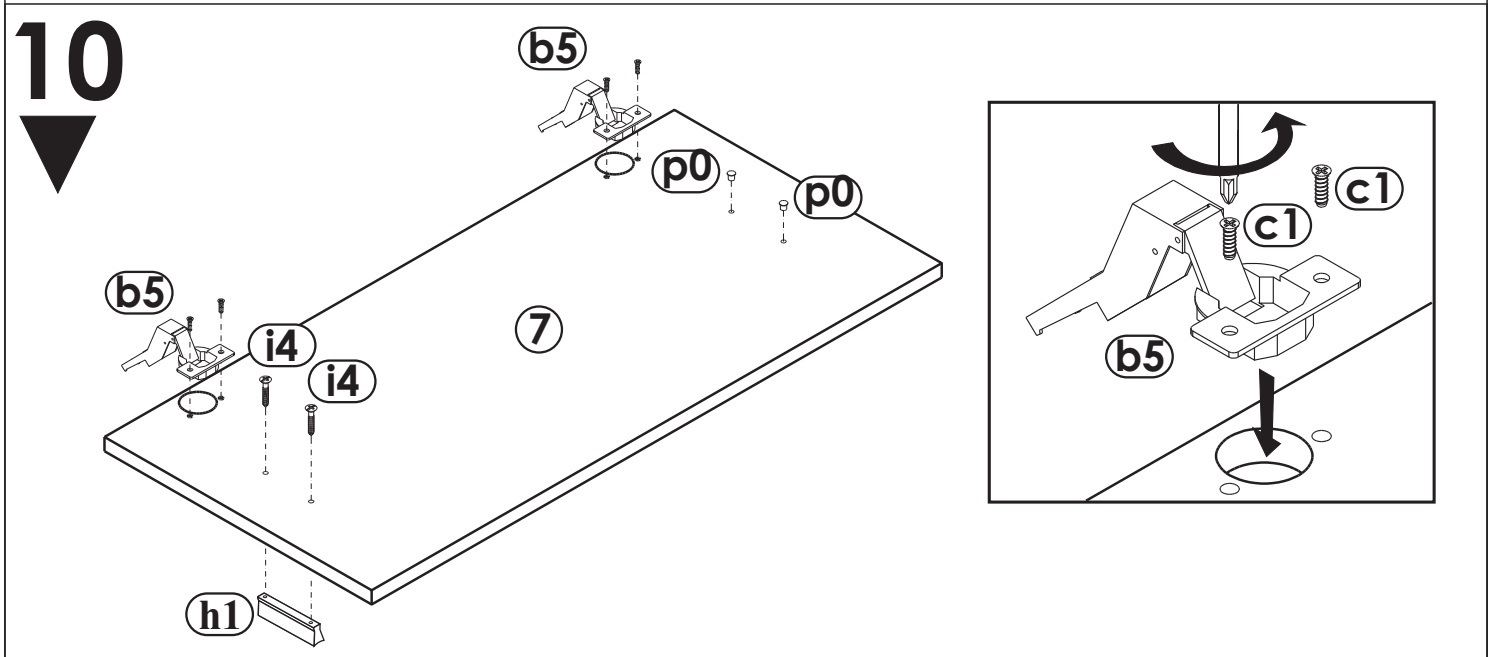
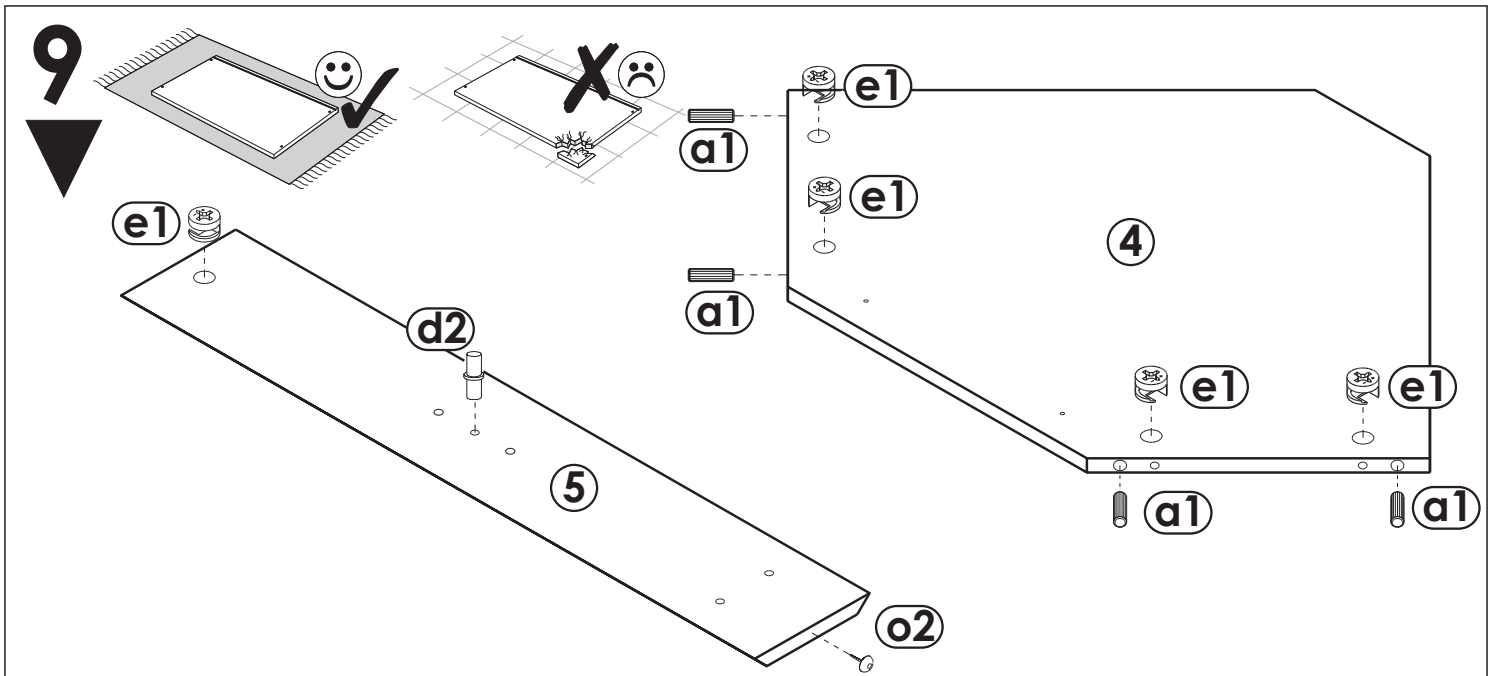


7

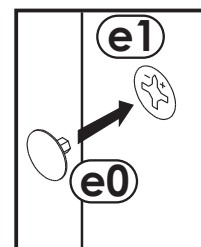
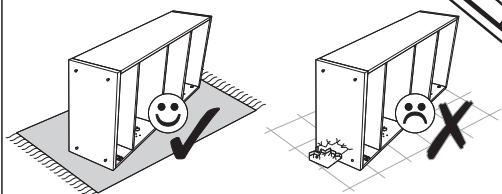
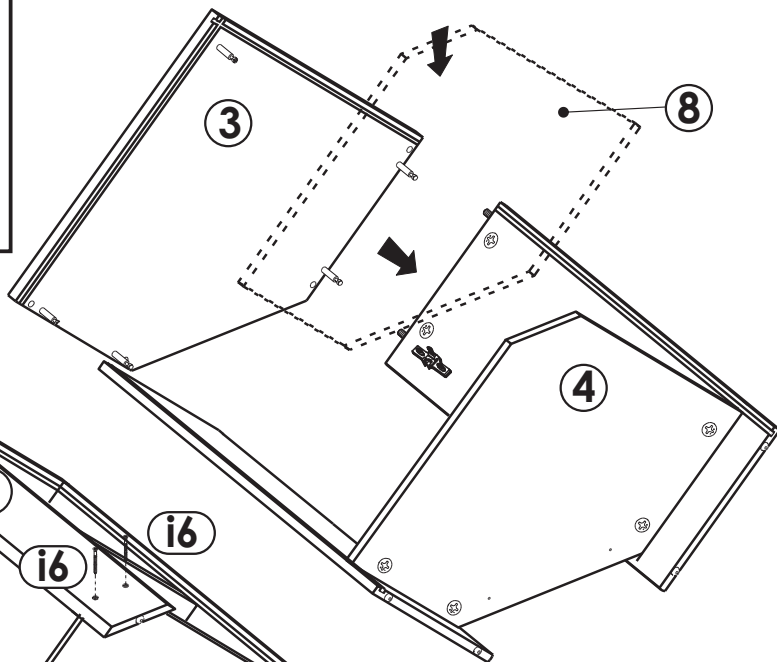
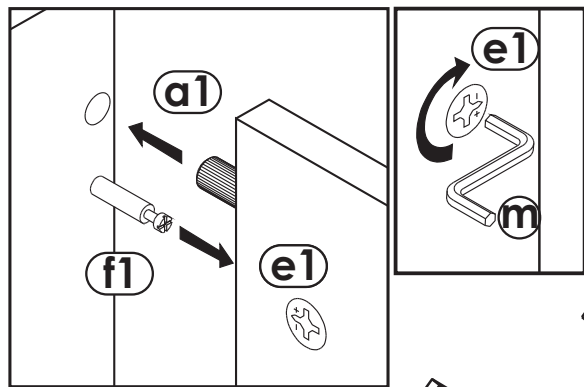


8

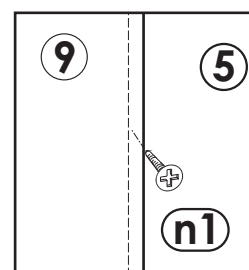
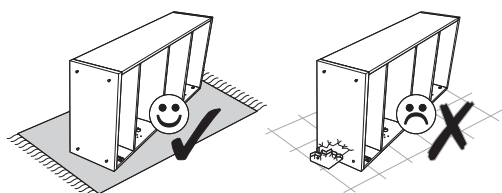
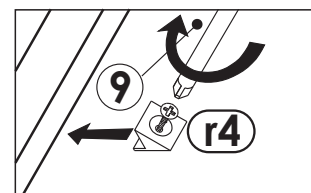
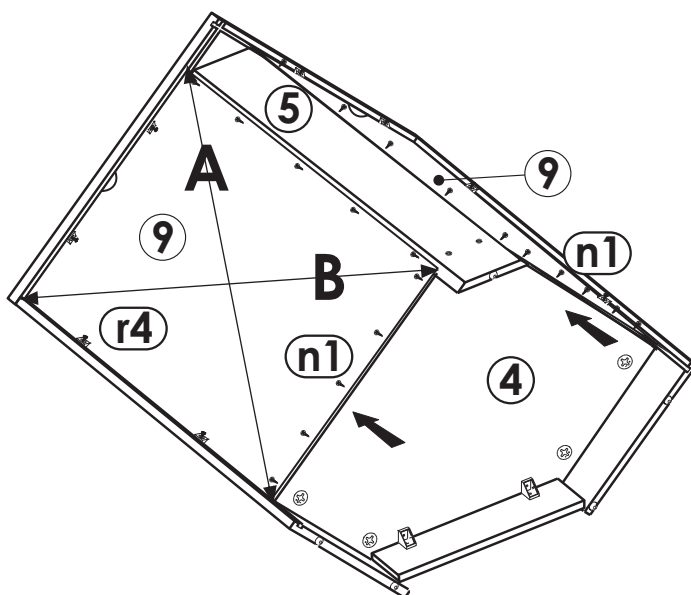




12



13



A=B

14
▼

