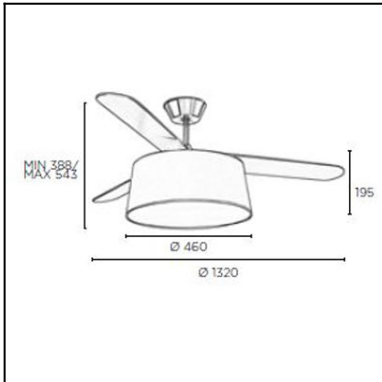




The photograph may not match the reference exactly. Please read the product description to identify the finish.

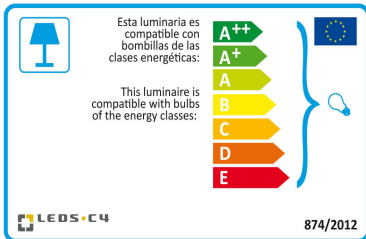


TECHNICAL CHARACTERISTICS

Type:	Fan
RPM:	80/140/190
IP Protection degrees:	IP20
Light source 1:	3 x E27 MAX.60W Maximum lamp length: 176.00 mm Maximum lamp diameter: 56.00 mm
Total power consumption (W):	230
Voltage / Frequency:	230V/50Hz
Warranty (Years):	2
Units per box:	2
Net Weight (Kg):	6.37
EAN:	8435111076934



[Download photometric file .ldt / .ies](#)

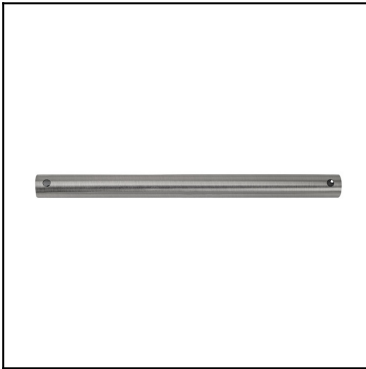


[Click on image to download energy label](#)

MATERIALS / FINISHES

Structure material:	Steel
Structure finish:	Satin nickel
Blades material:	Plywood
Blades finishes:	Textured grey Wenge-painted finish

71-1843-81-81



Down rod, 304 mm., Satin nickel

Structure material: Steel
Structure finish: Satin nickel



71-1844-81-81



Down rod, 460 mm., Satin nickel

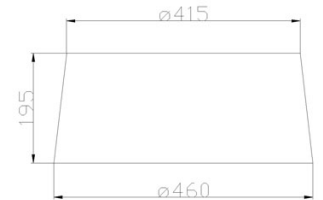
Structure material: Steel
Structure finish: Satin nickel



PAN-146-20



Structure material: Steel
Structure finish: White
Diffuser material: Fabric shade
Diffuser finish: Beige

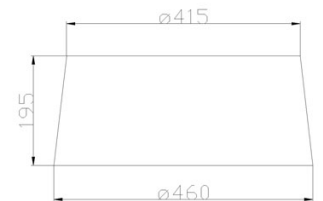


IP20

PAN-146-AJ



Structure material: Steel
Structure finish: White
Diffuser material: Fabric shade
Diffuser finish: Opera grey

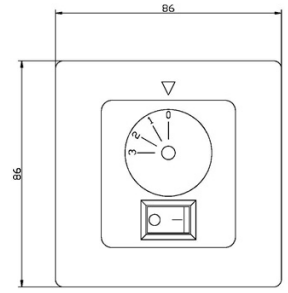


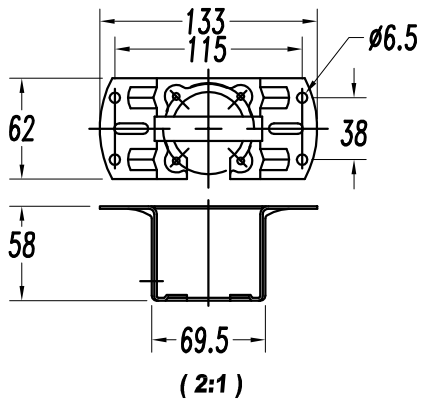
IP20

71-4932-00-00

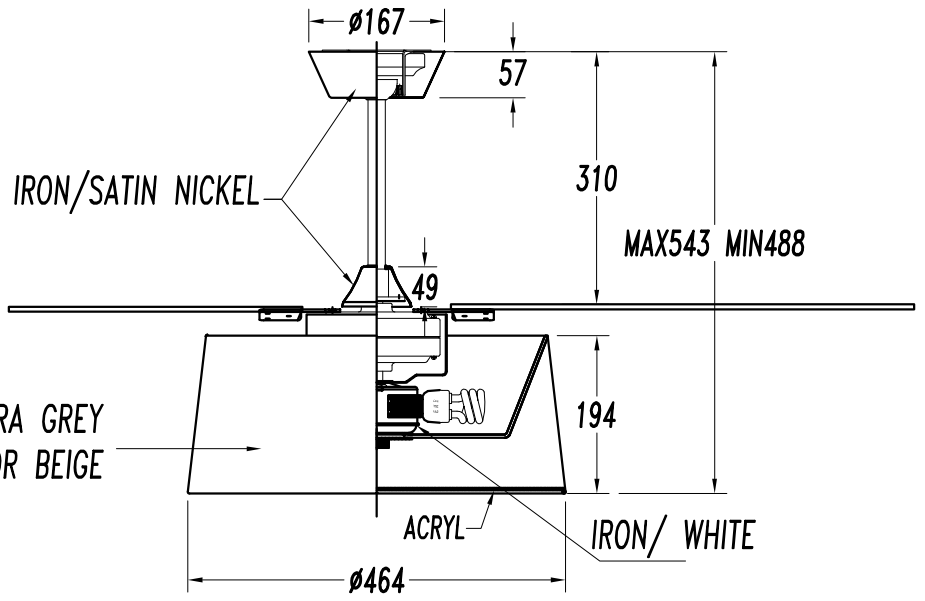


Optional lighting kit, Bright white

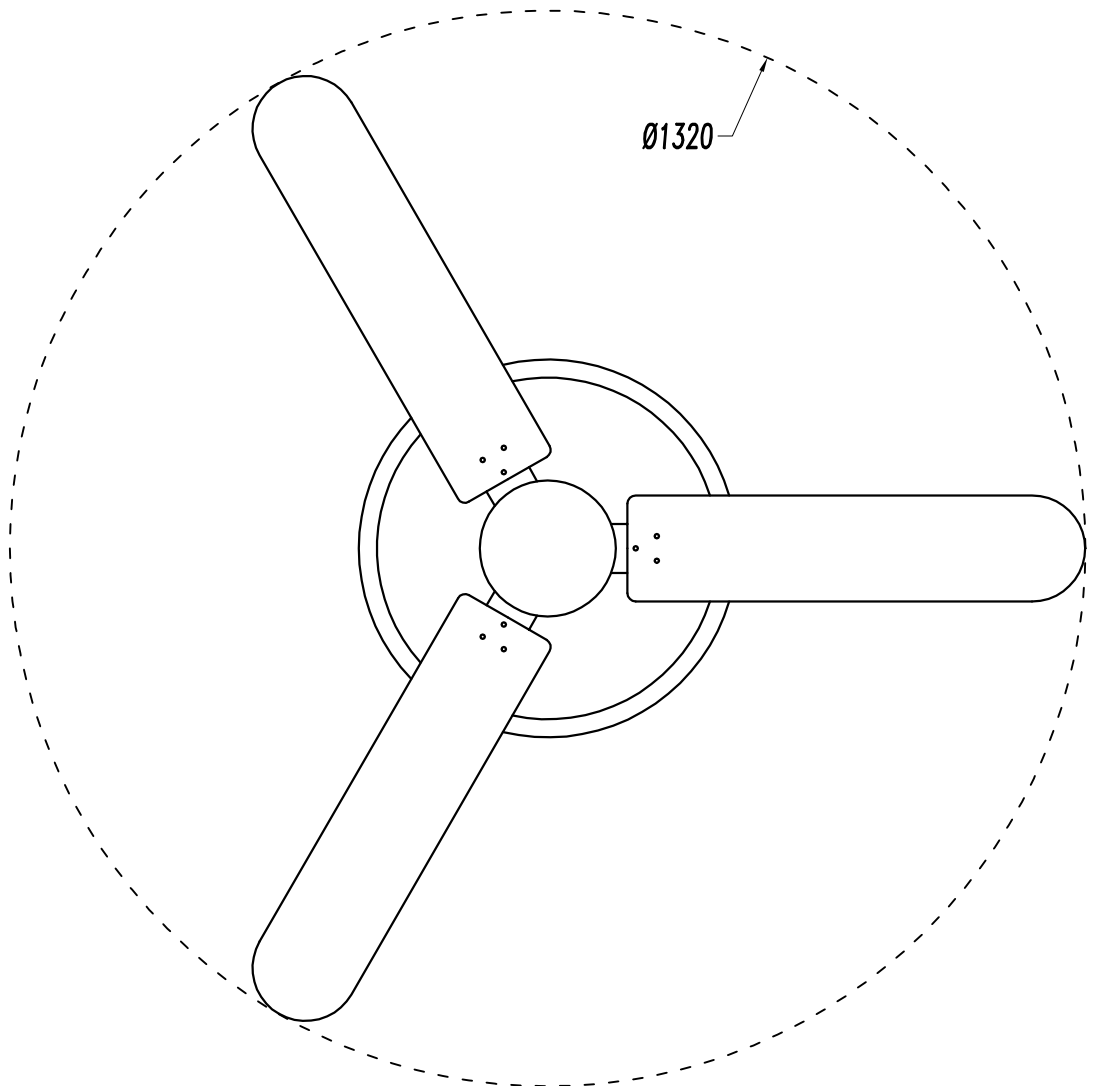
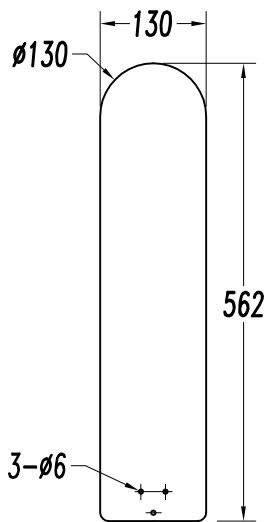




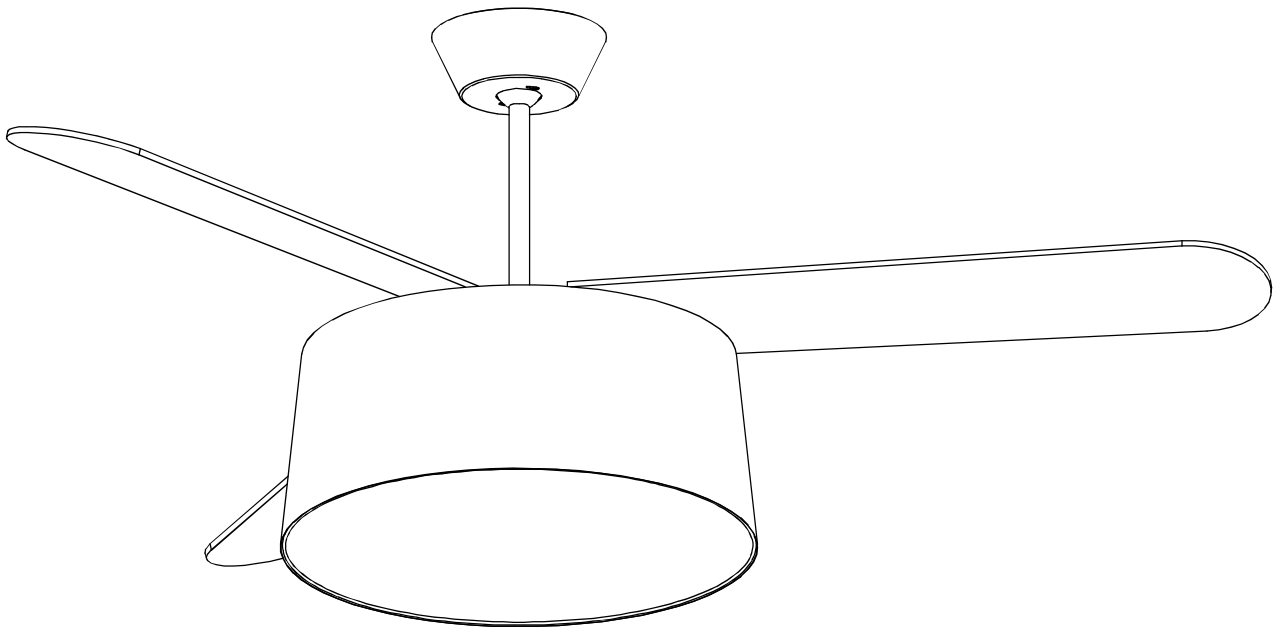
FABRIC SHADE / OPERA GREY
OR BEIGE

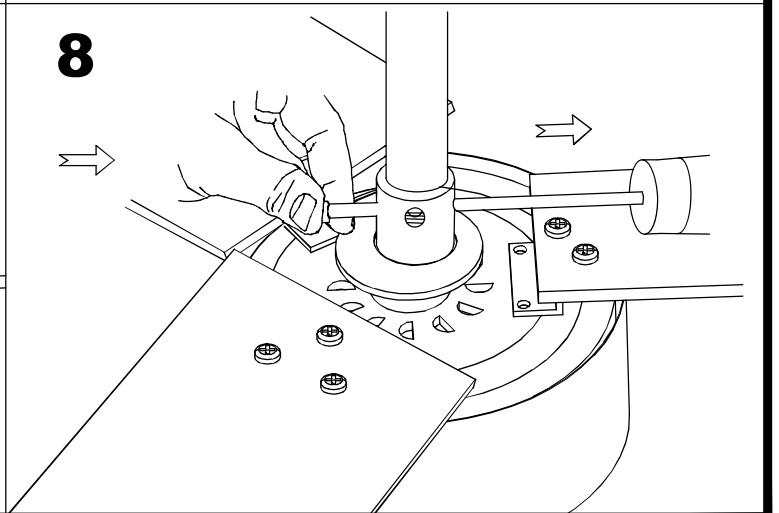
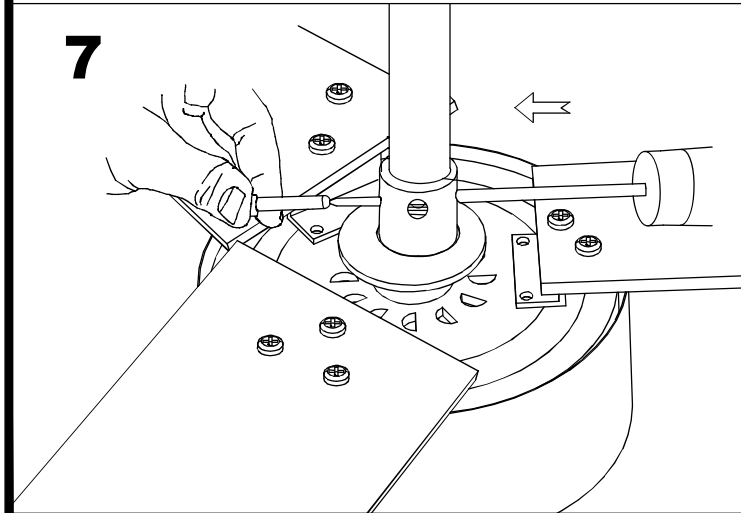
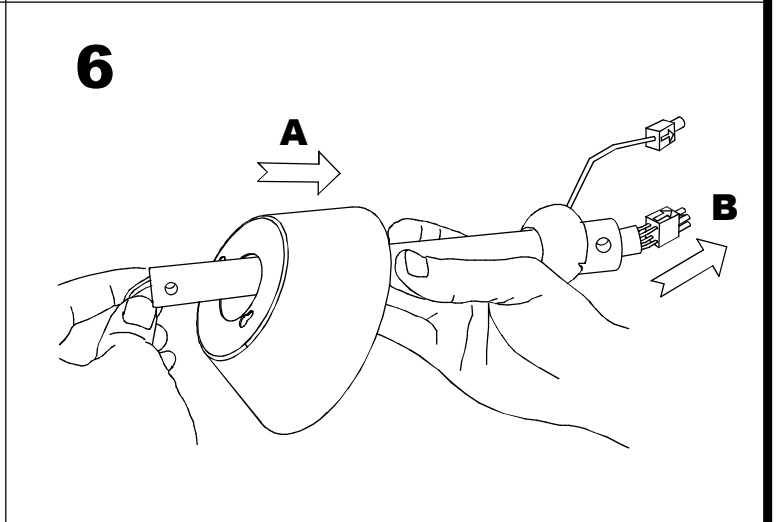
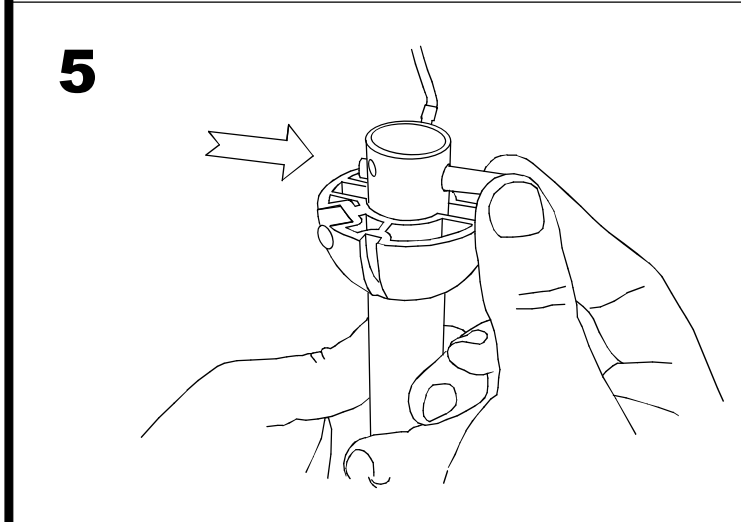
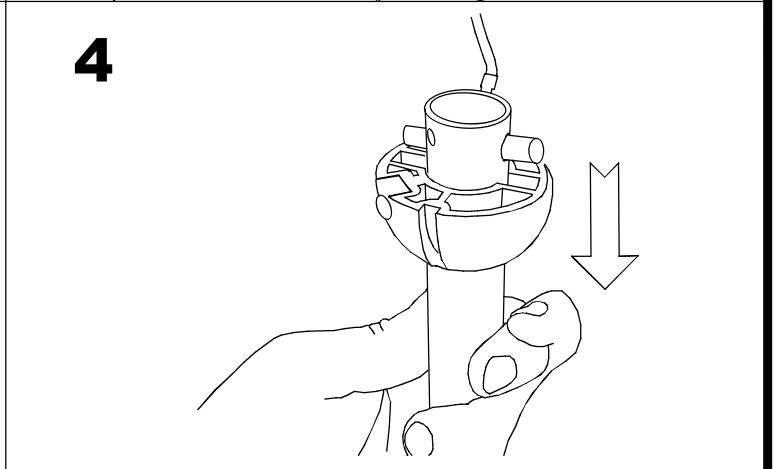
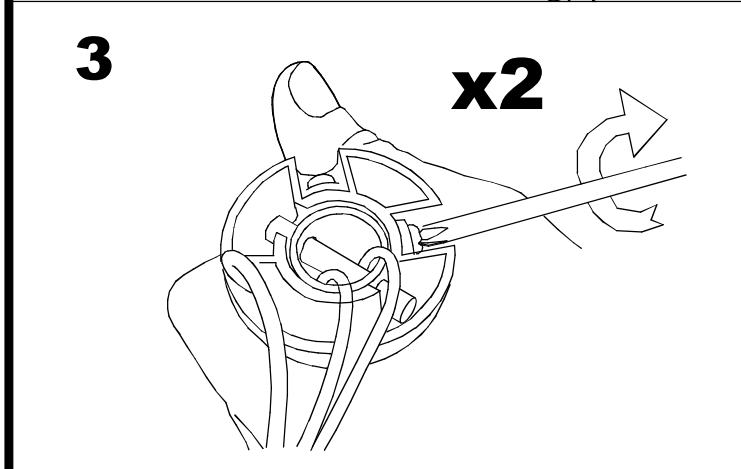
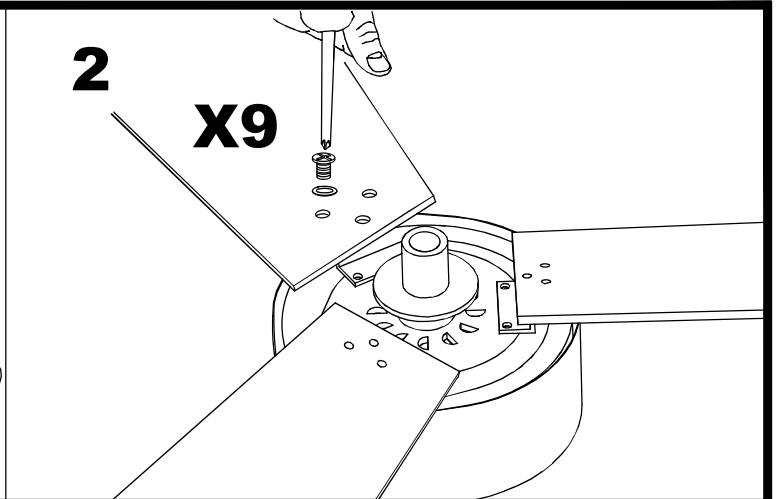
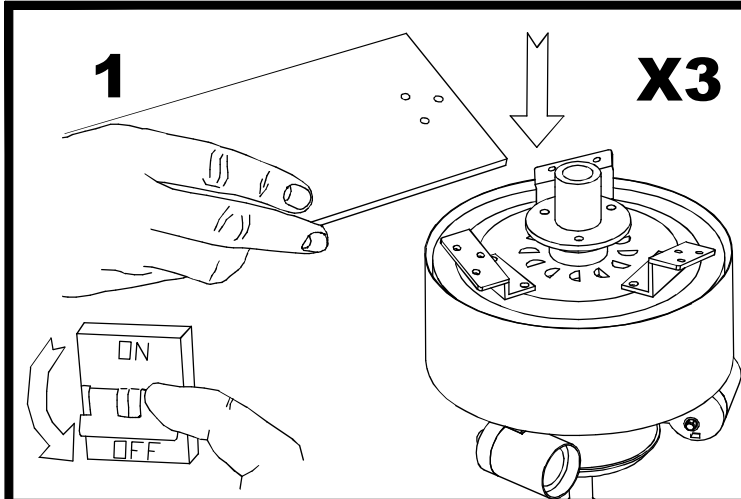


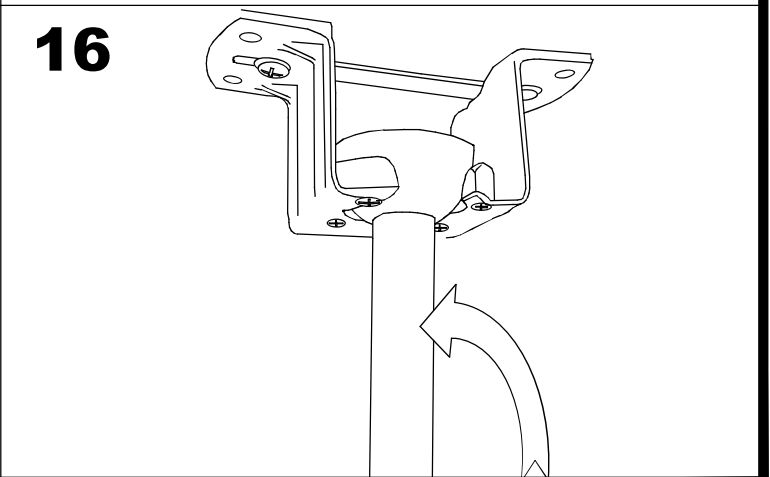
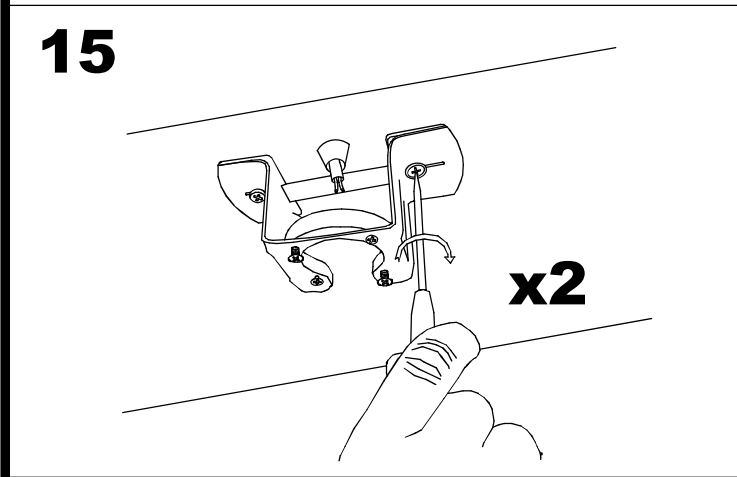
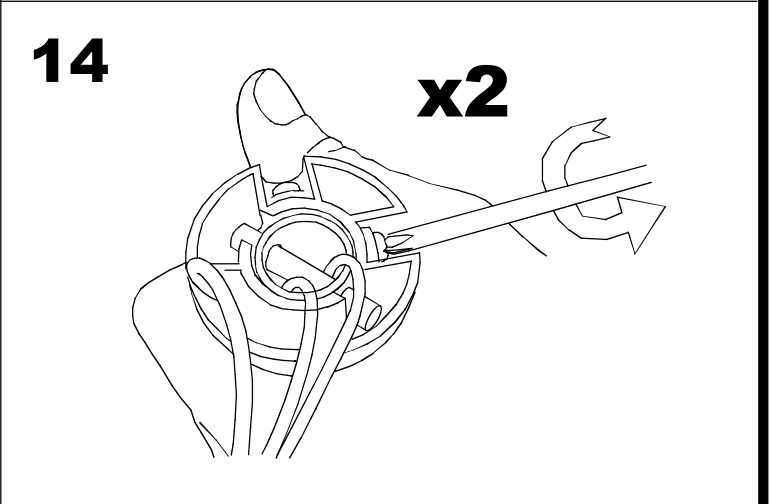
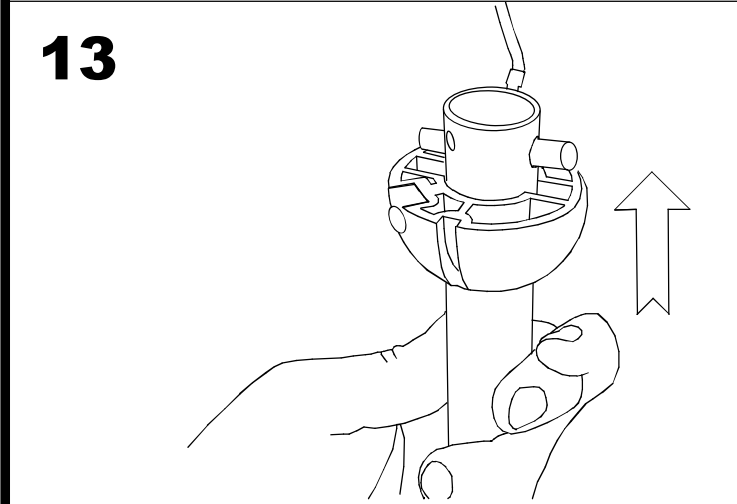
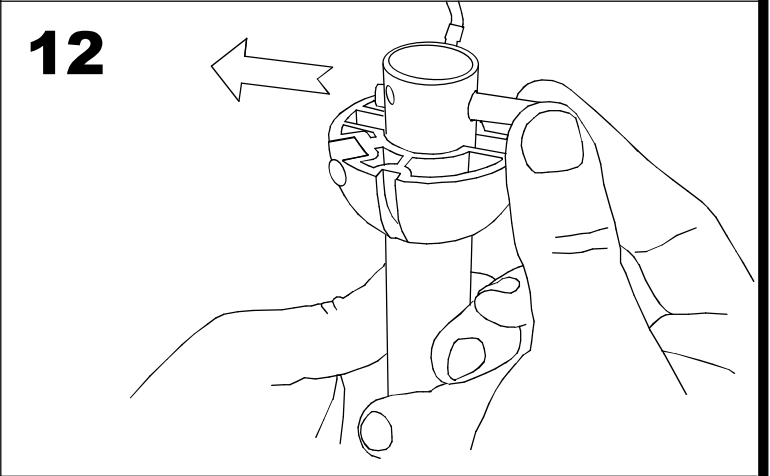
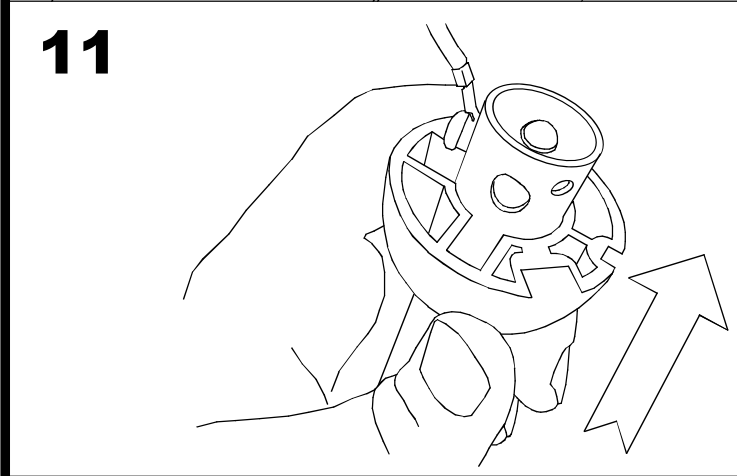
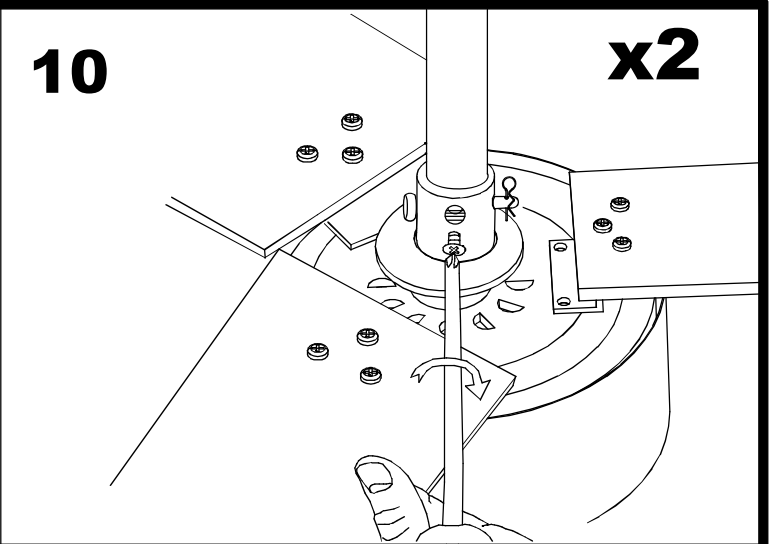
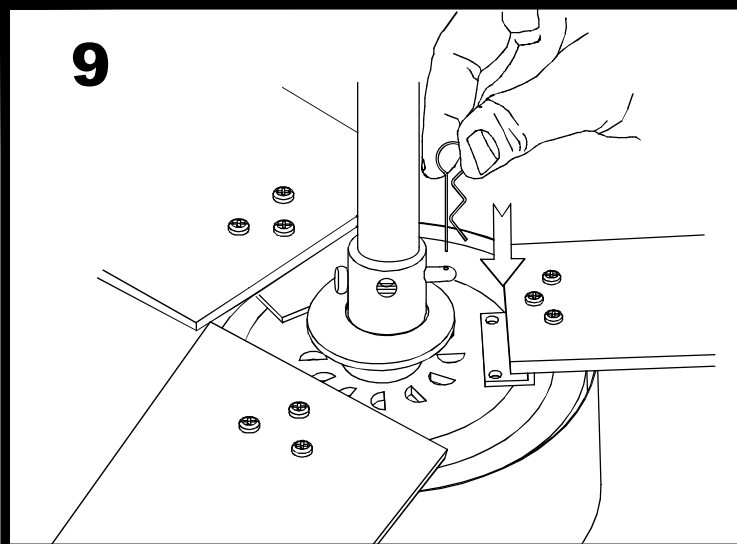
WOOD / GREY&WEBGE



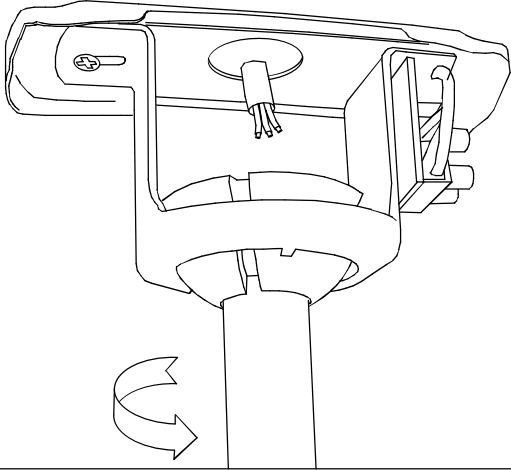
30-4357-81-82



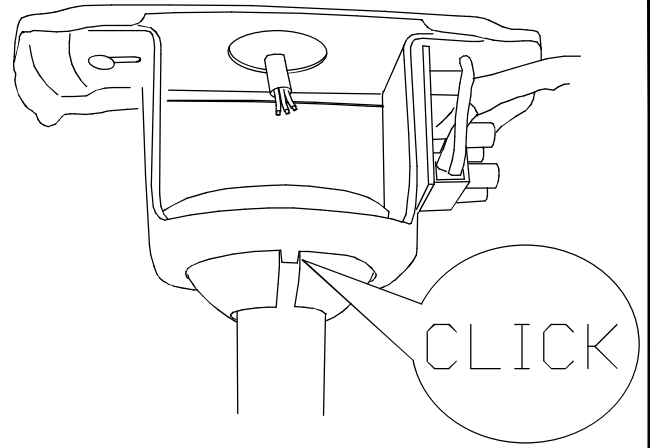




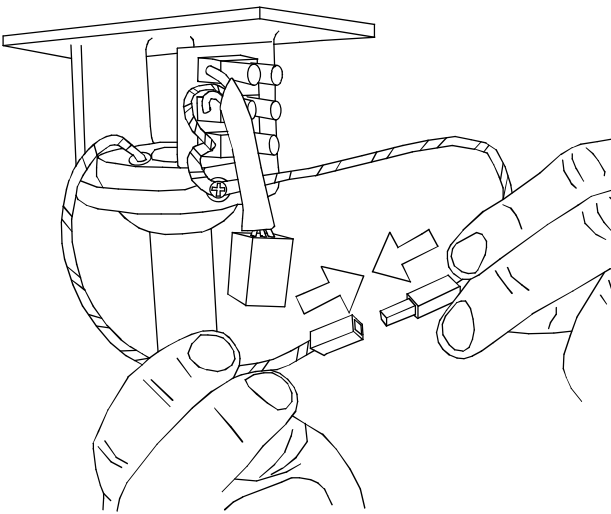
17



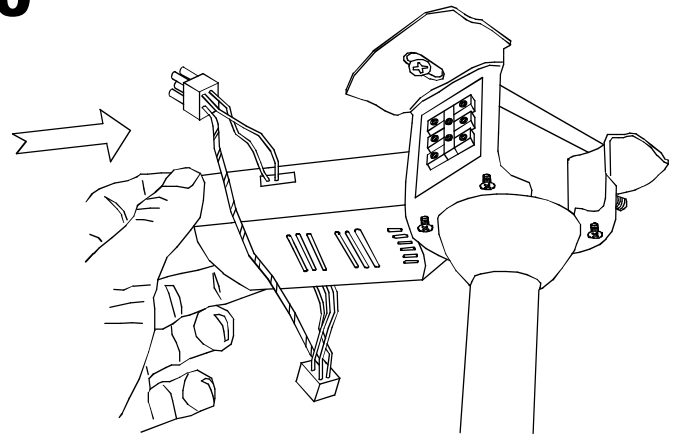
18



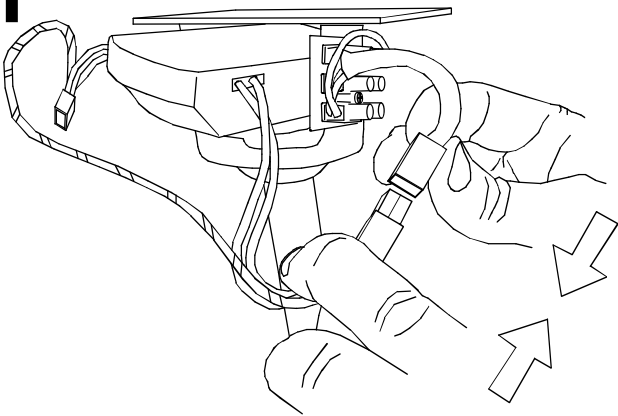
19



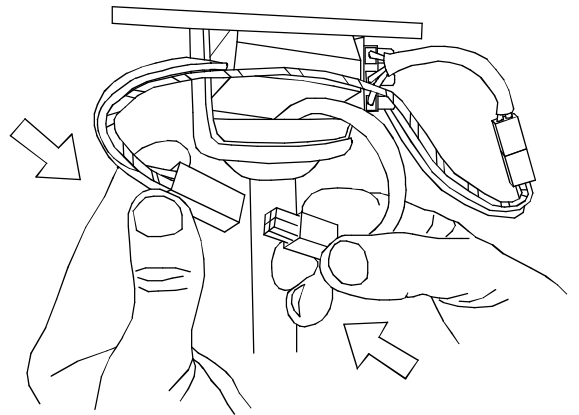
20



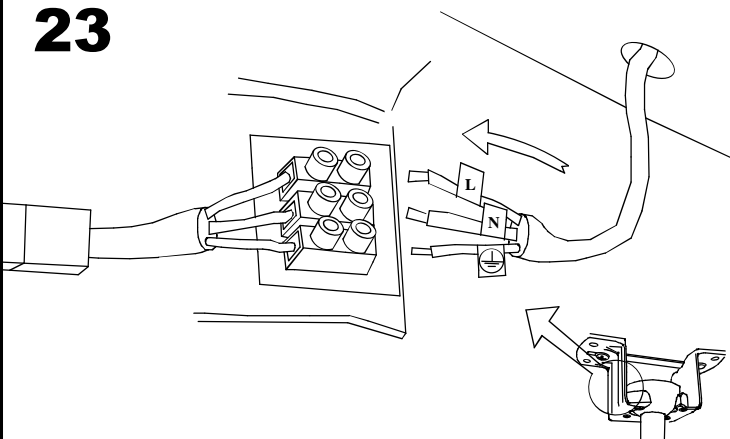
21



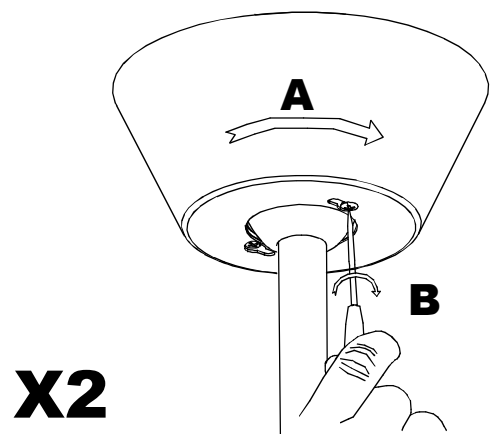
22



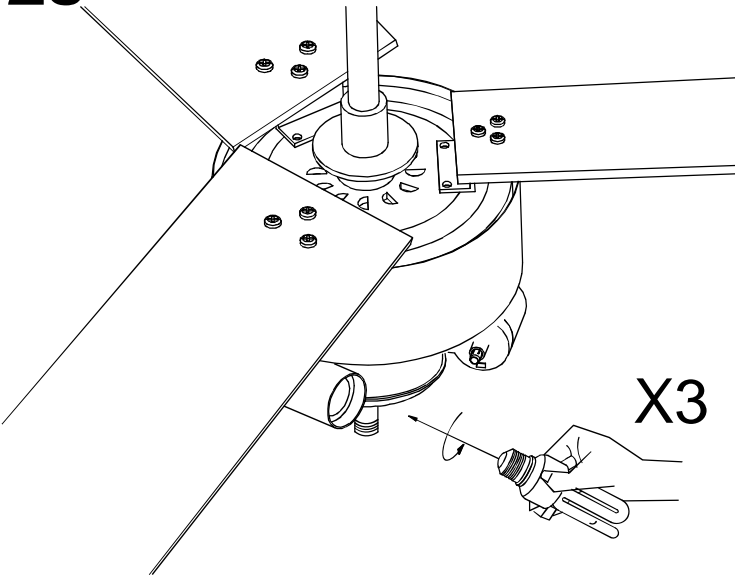
23



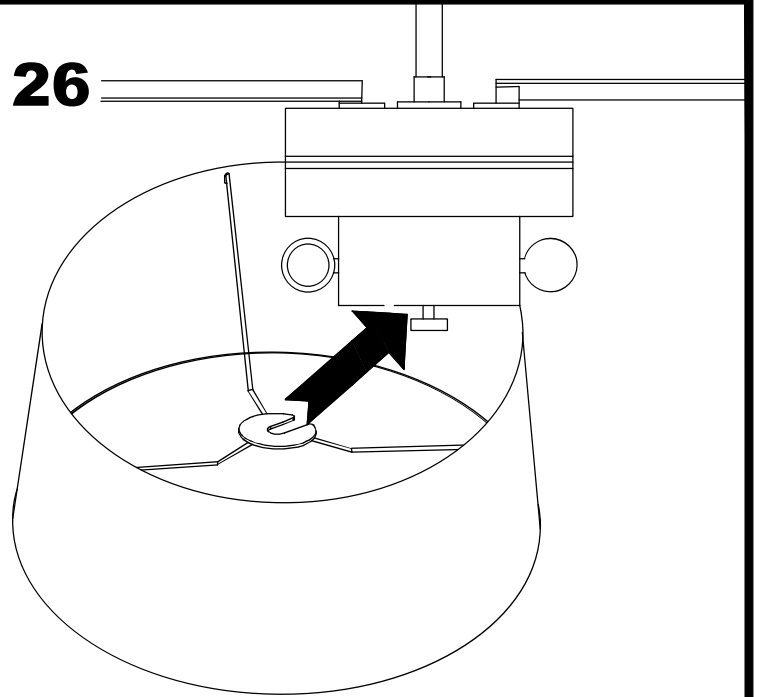
24



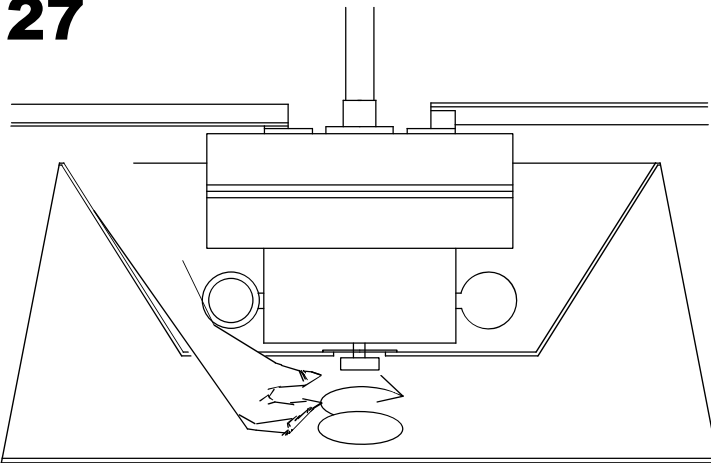
25



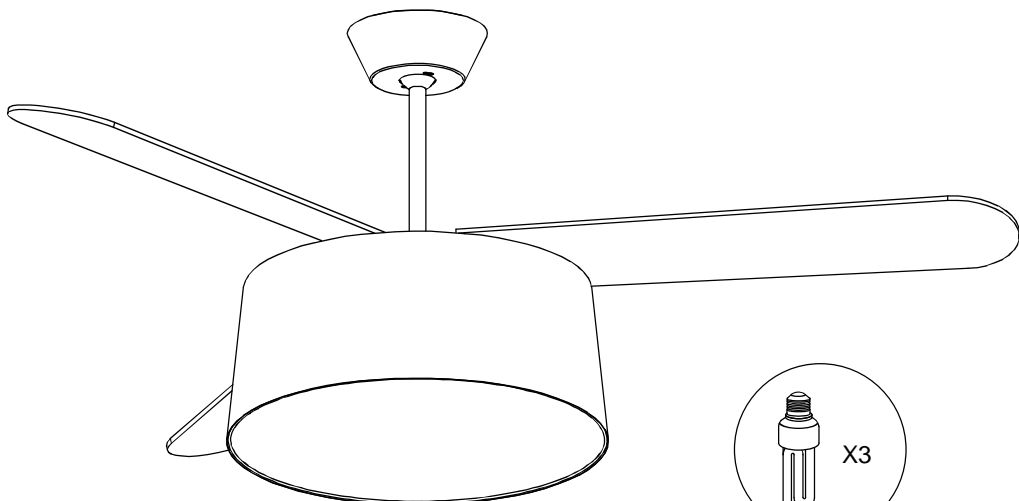
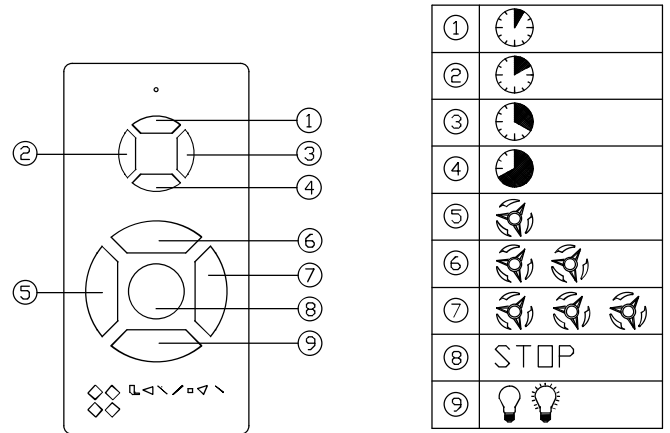
26

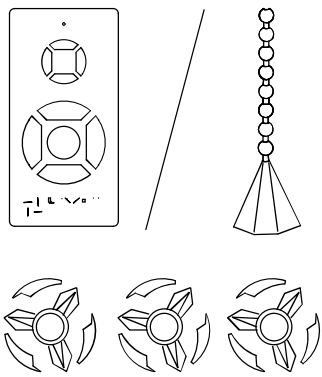
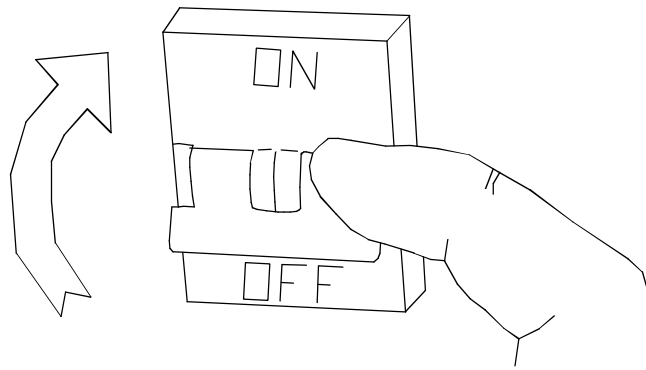


27

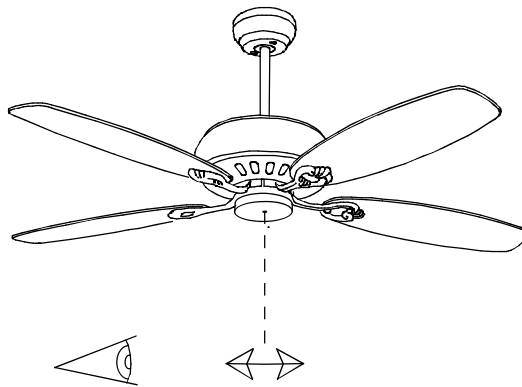


28

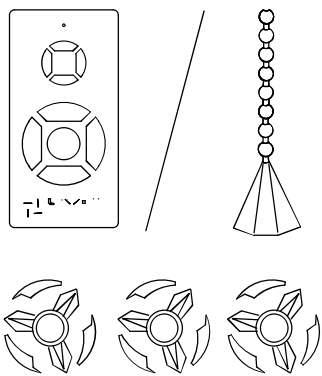




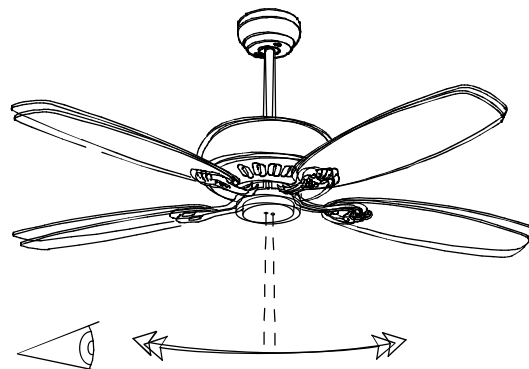
ON



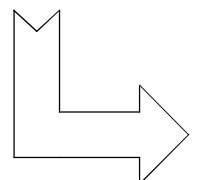
OK

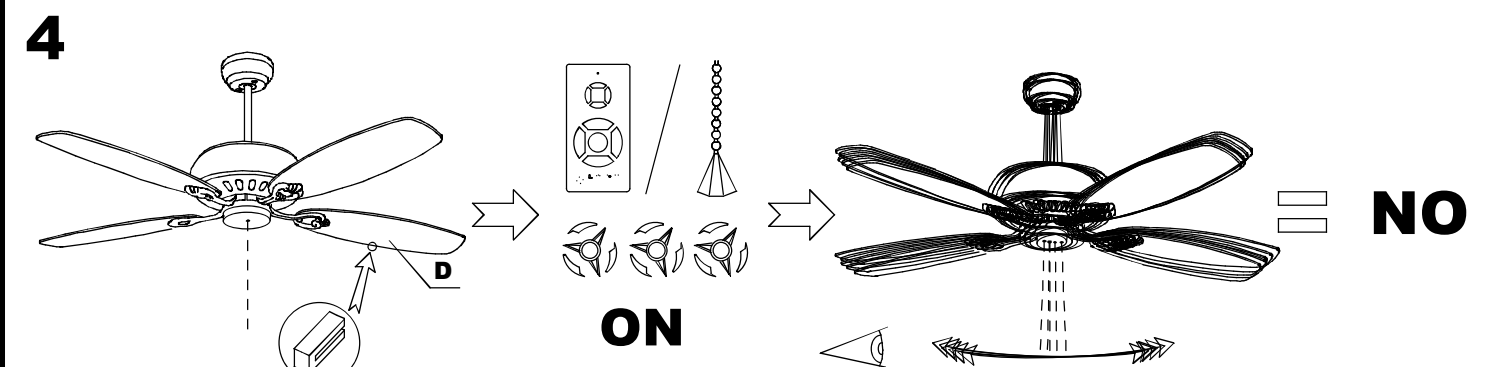
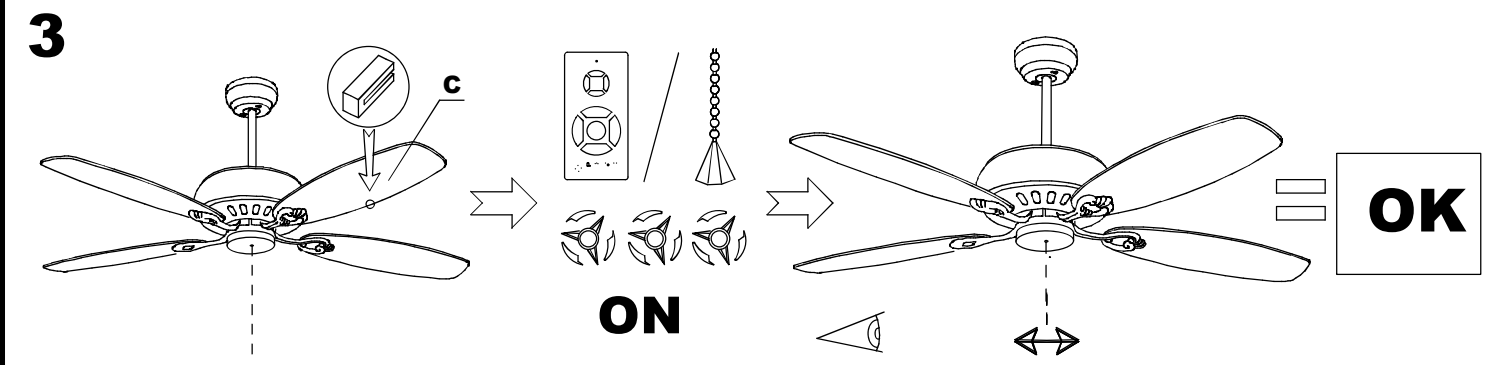
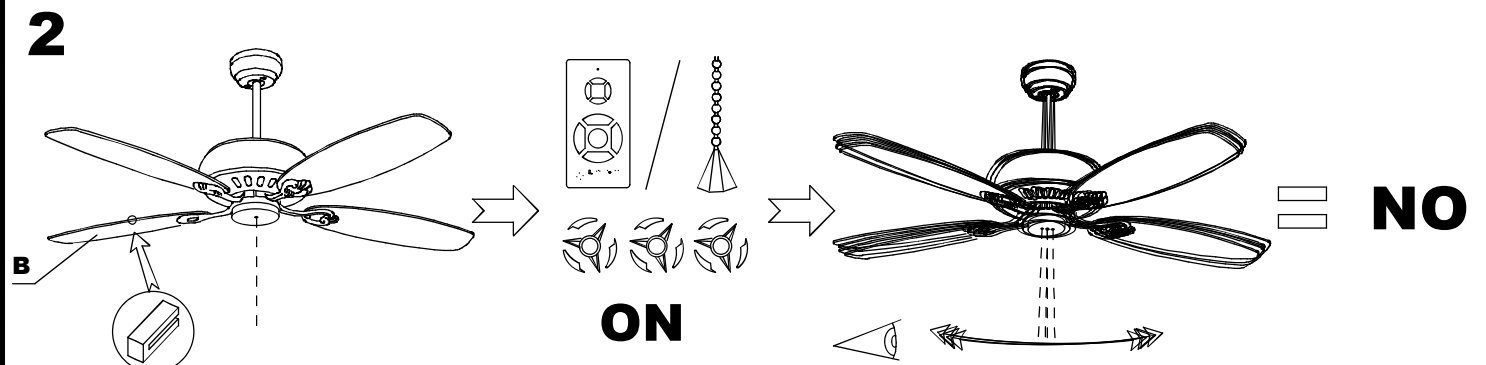
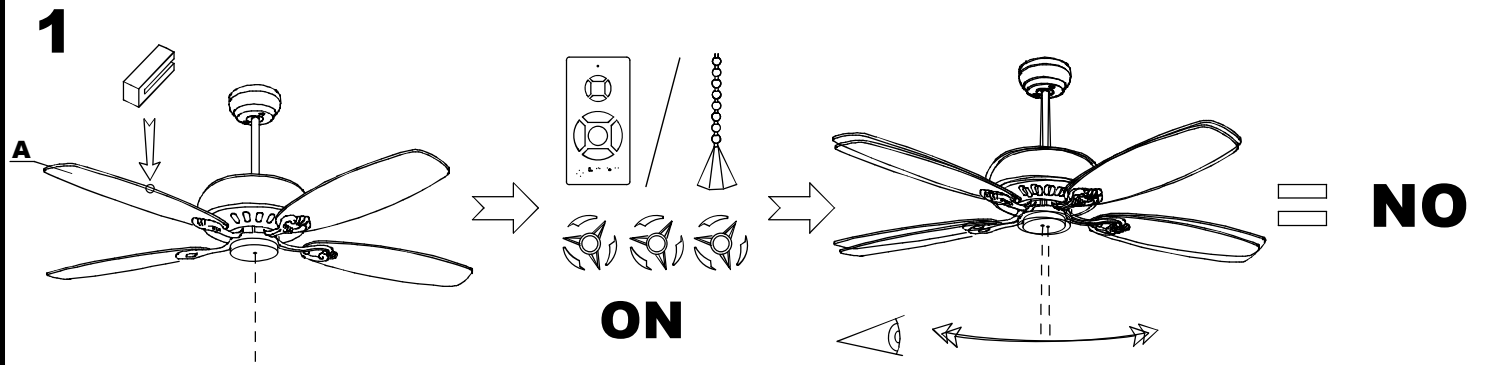
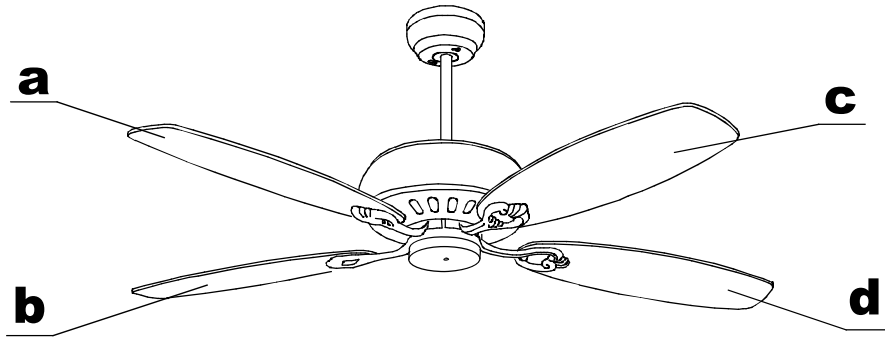


ON

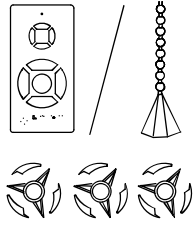
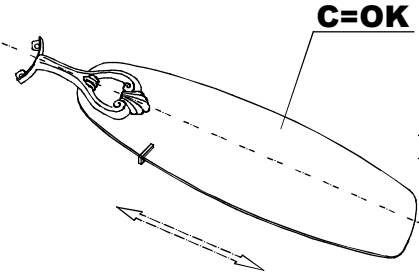


NO

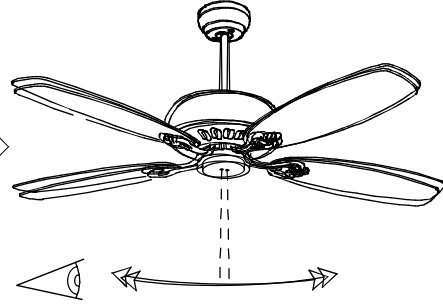




5

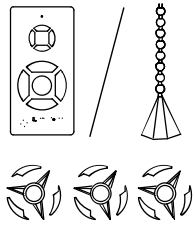
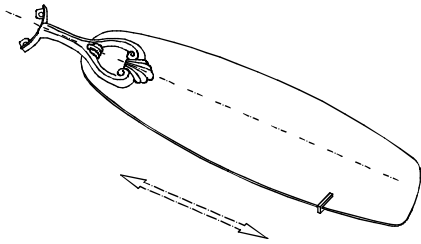


ON

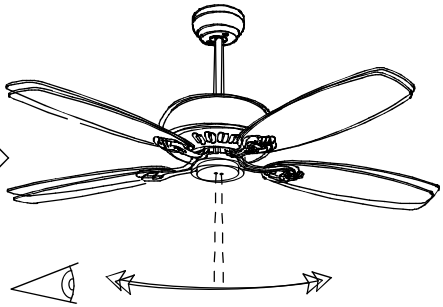


NO

6

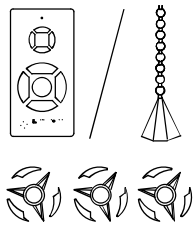
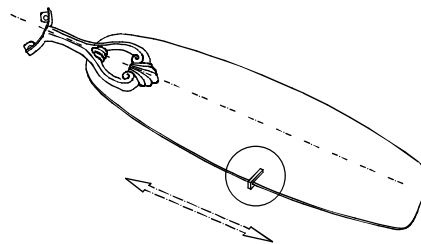


ON

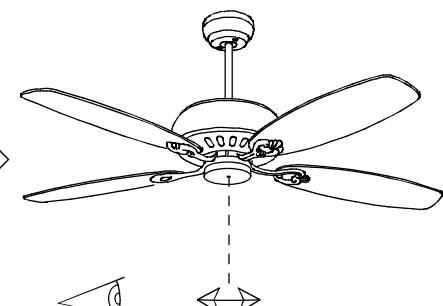


NO

7



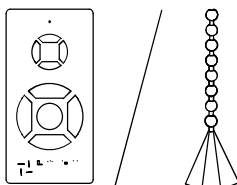
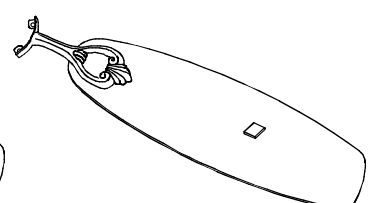
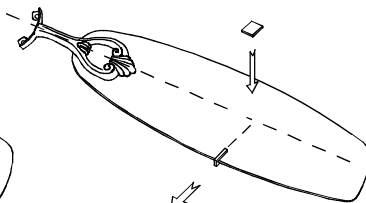
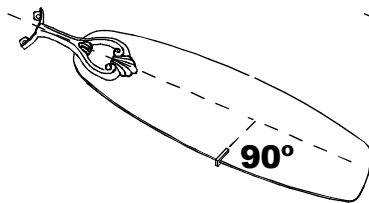
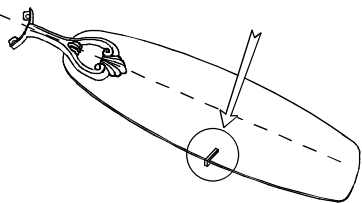
ON



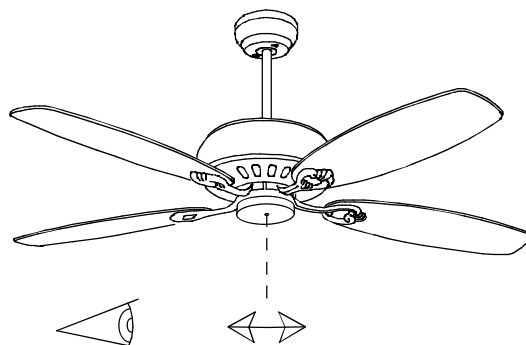
OK

8

OK



ON



OK