

ASSEMBLY INSTRUCTION

HARDWARE INSIDE THE BASE

G F W



A x 4
M6 x 50mm



B x 4
M6 SPRING WASHER



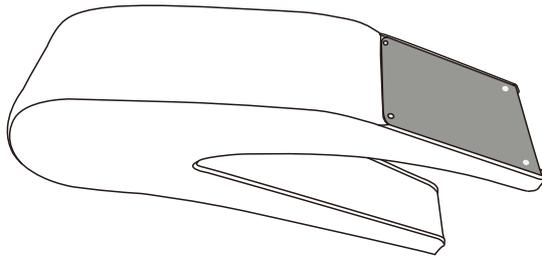
C x 4
M6 FLAT WASHER



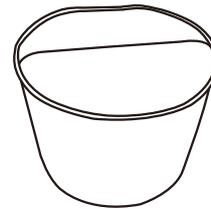
D x 1
ALLEN KEY



E x 5
FEET

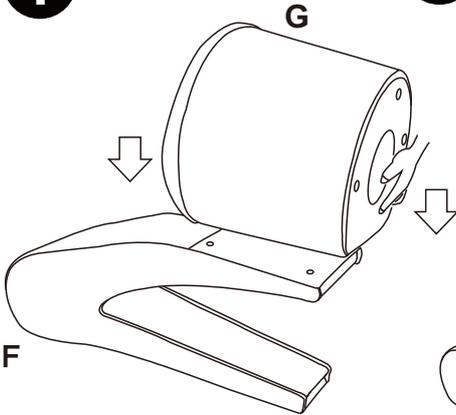


F BACK X1

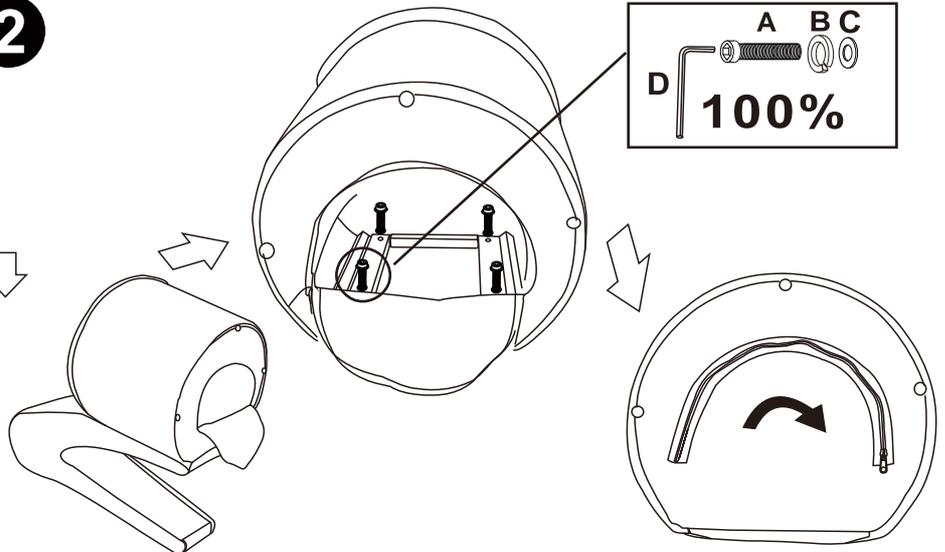


G SEAT X1

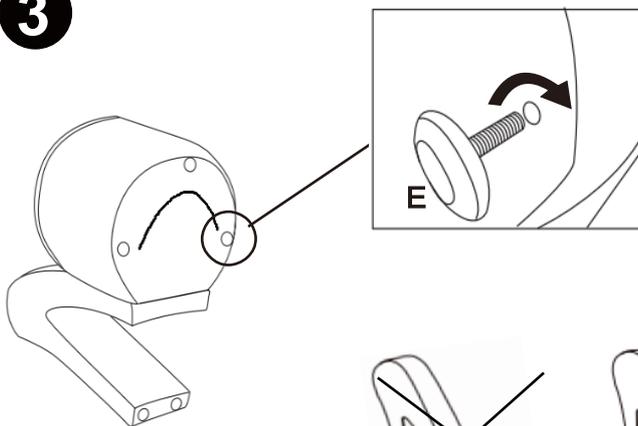
1



2



3



4

