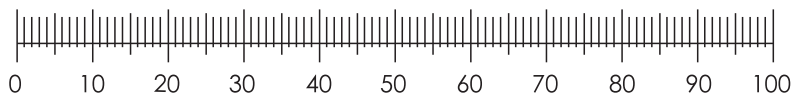
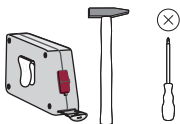
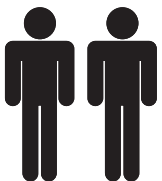
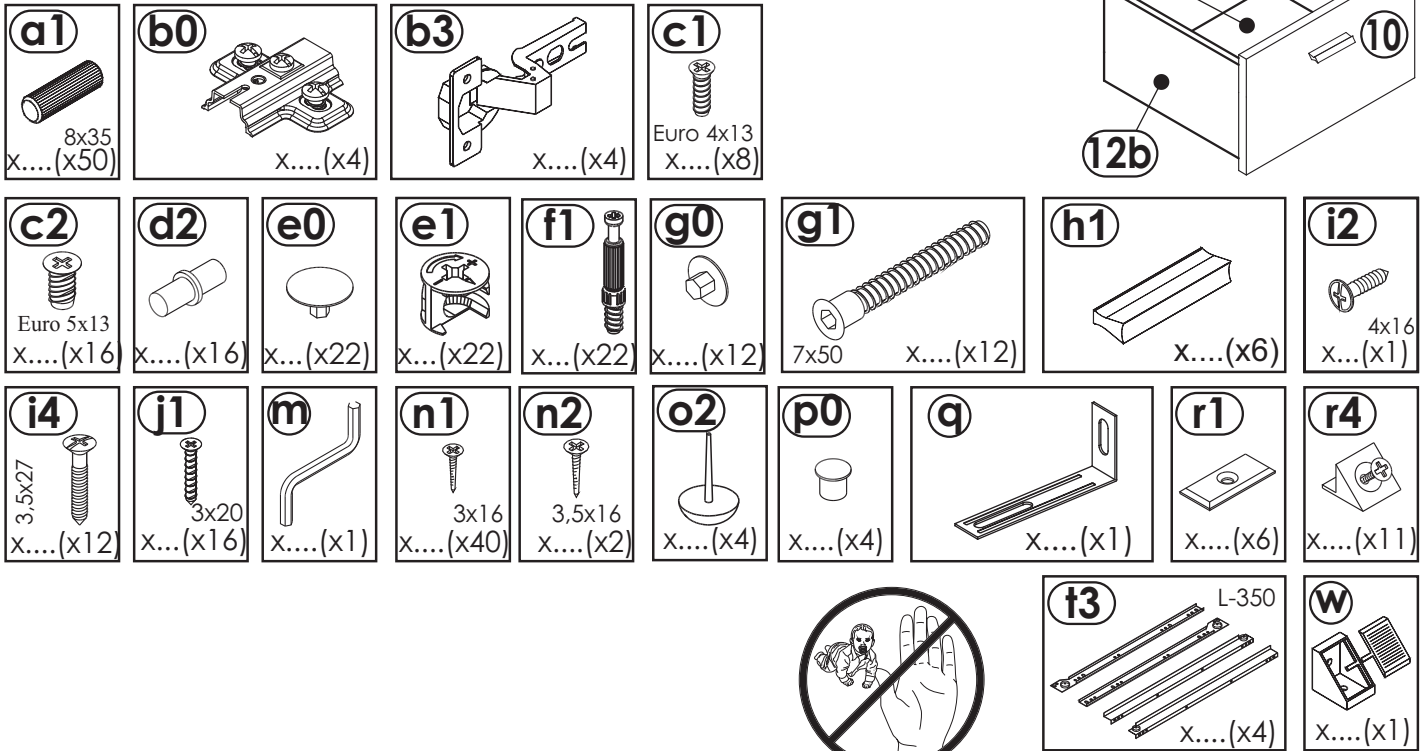
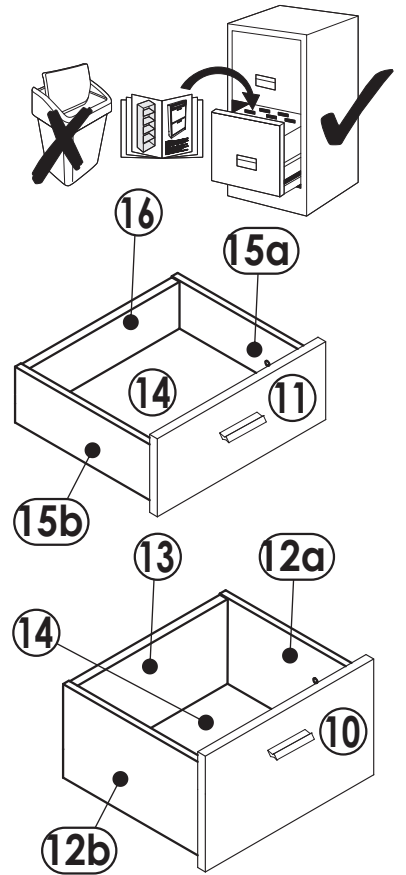
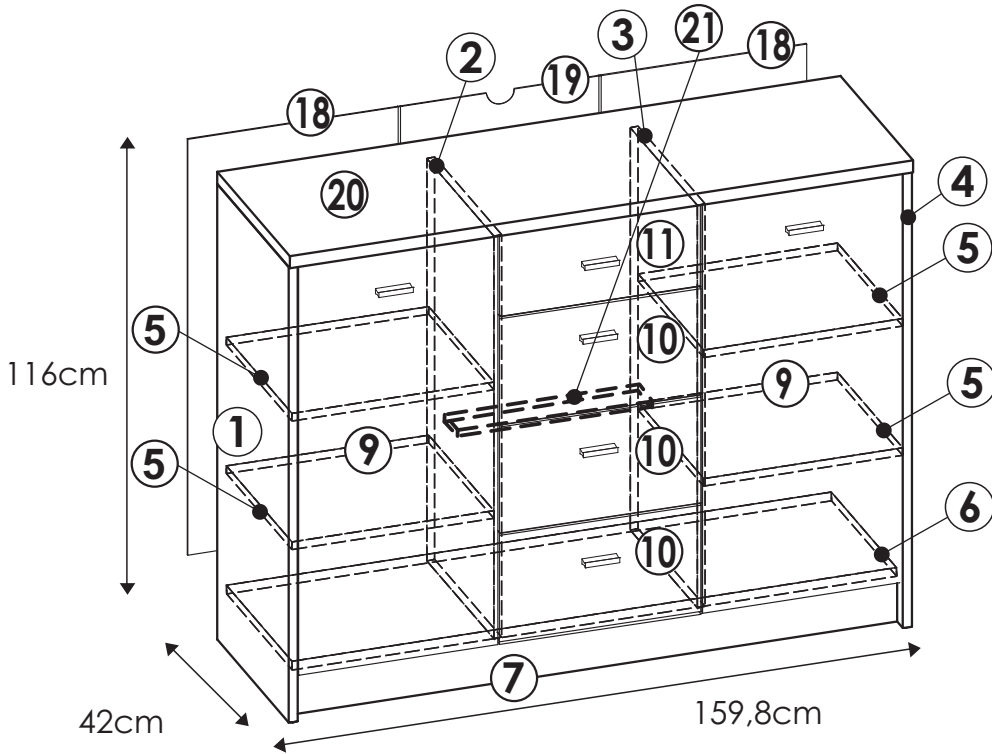
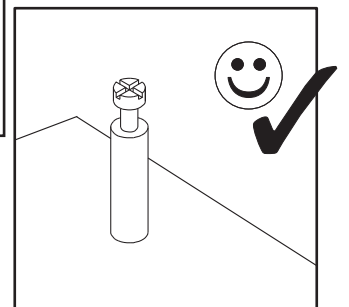
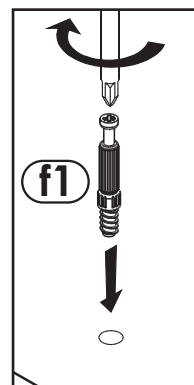
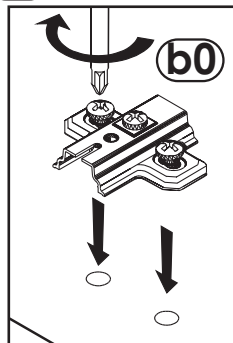
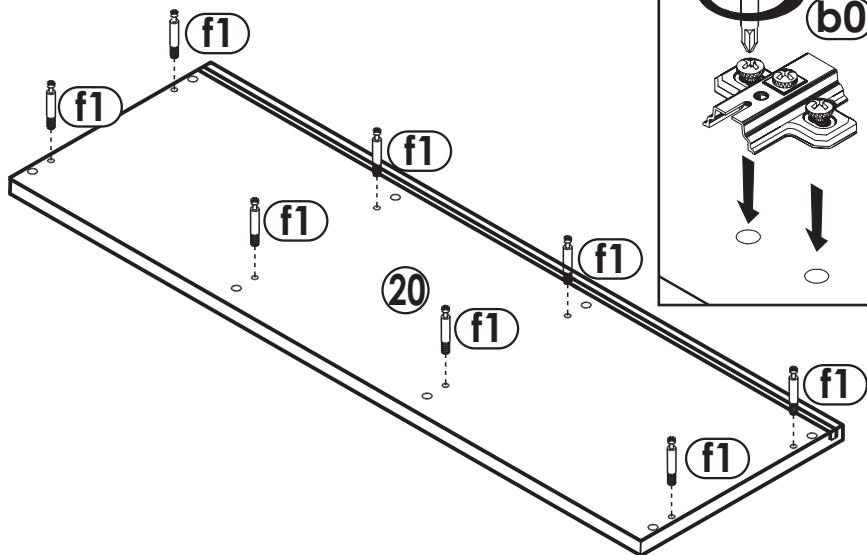
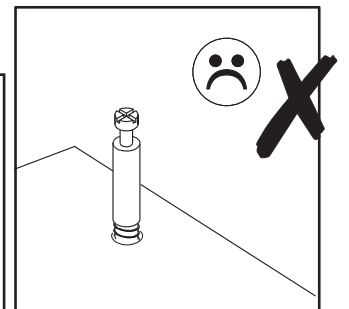
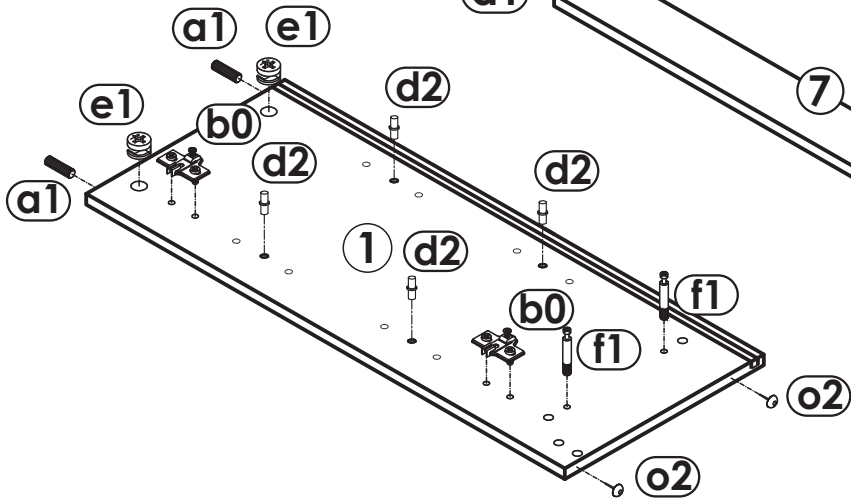
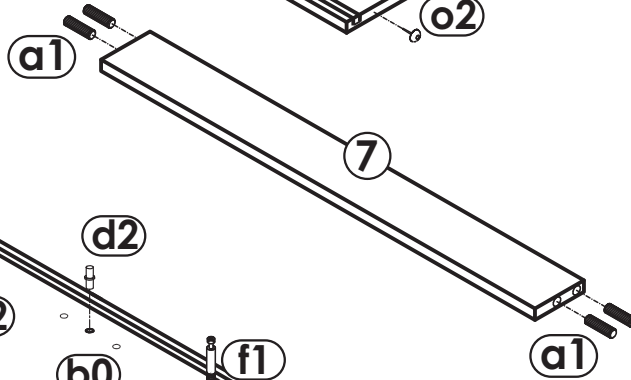
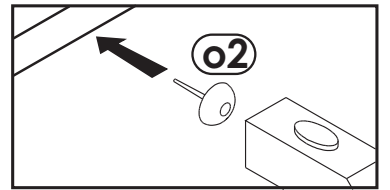
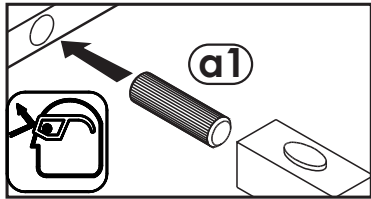
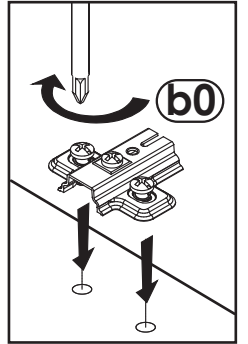
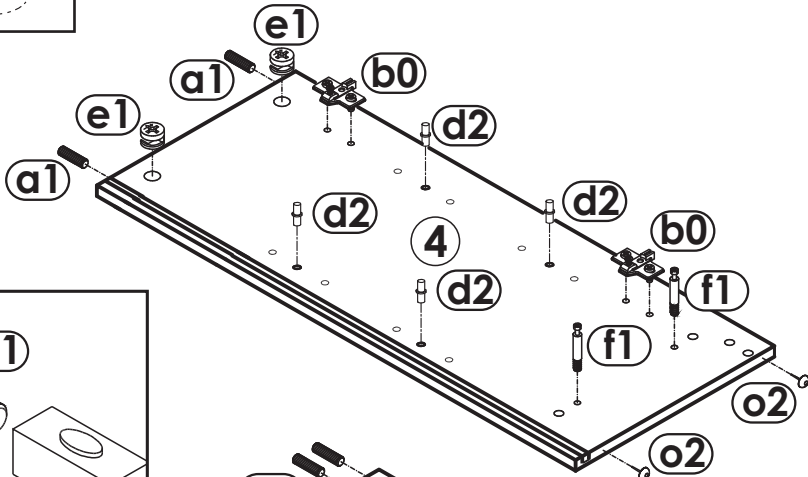
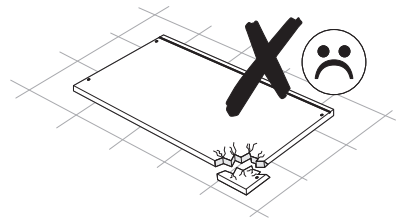
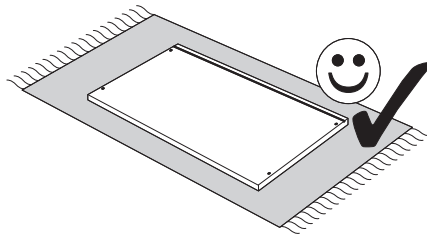
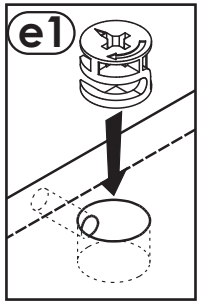


4YOU

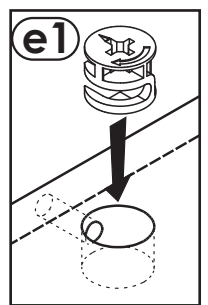
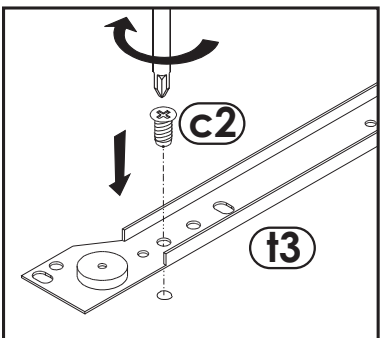
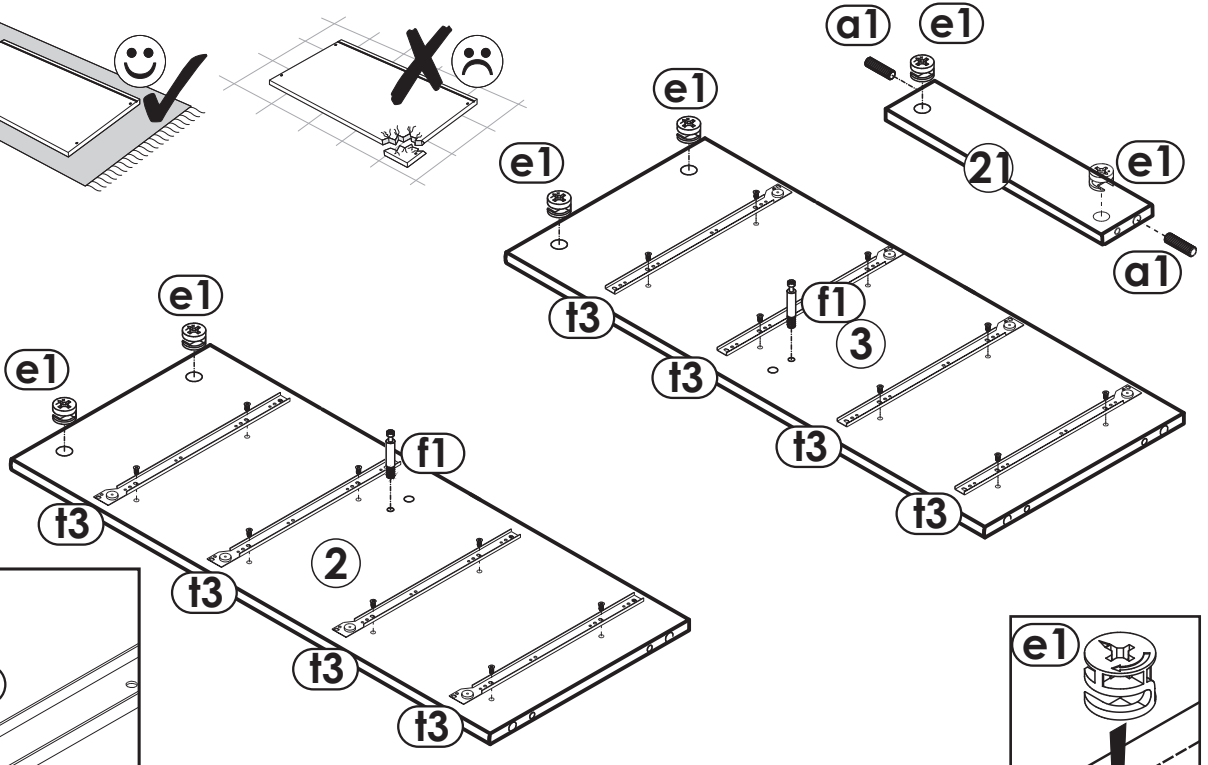
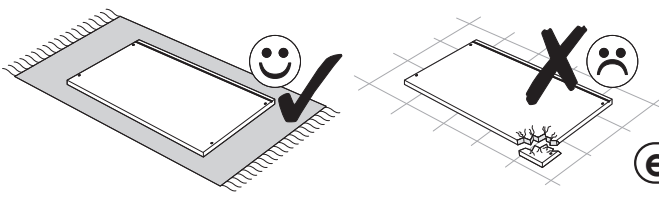
2D-4S



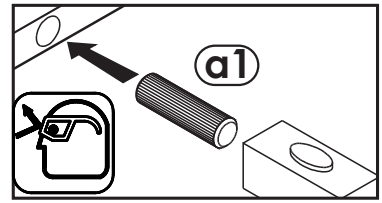
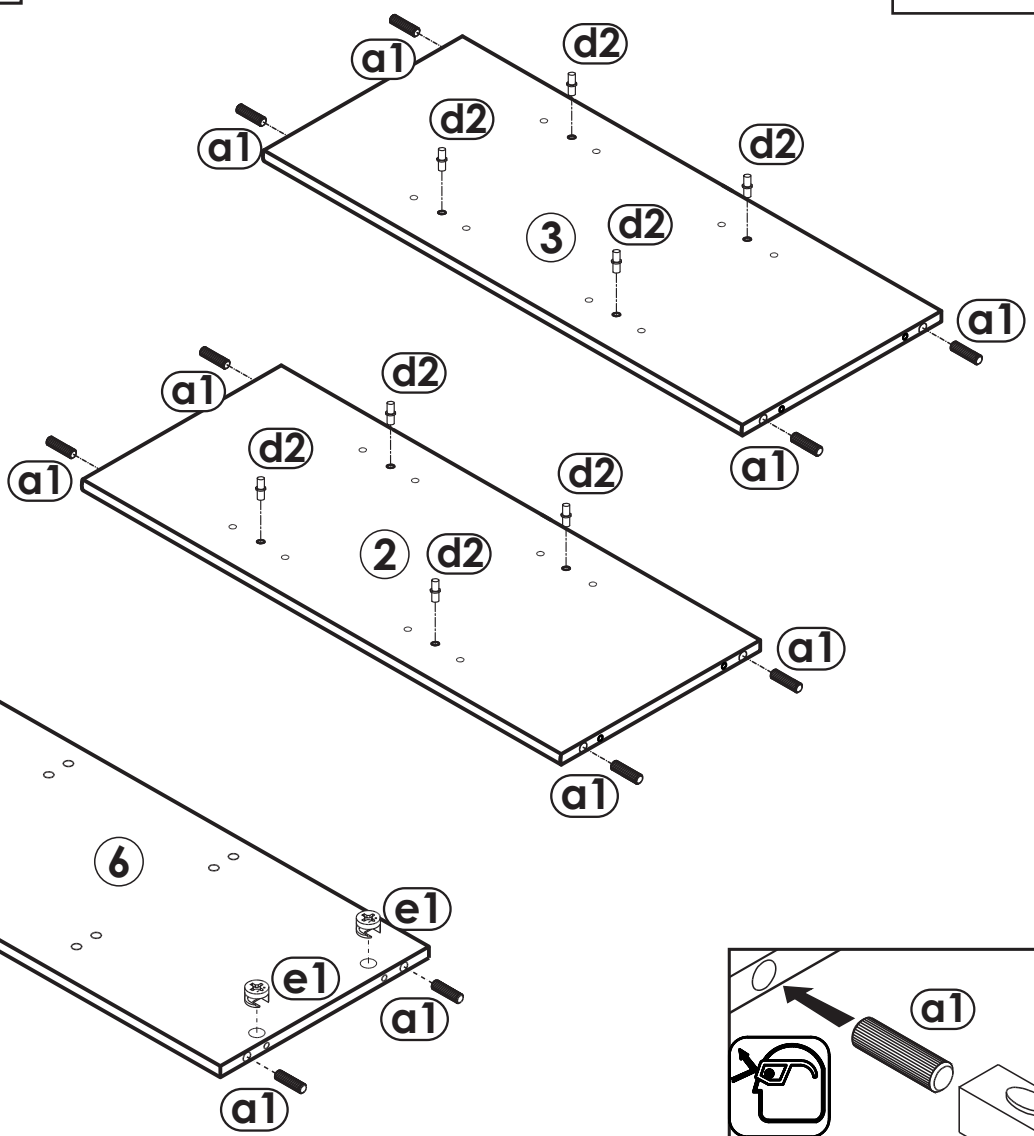
1



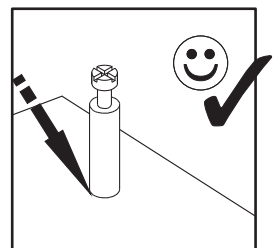
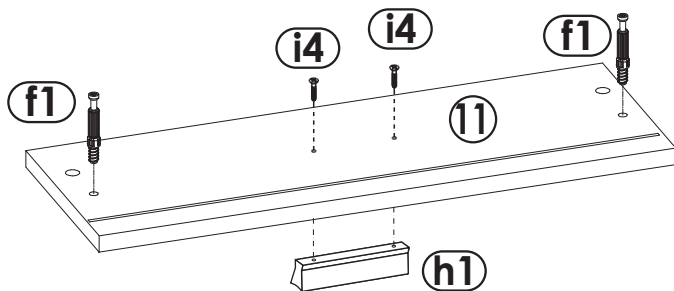
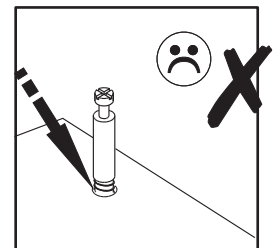
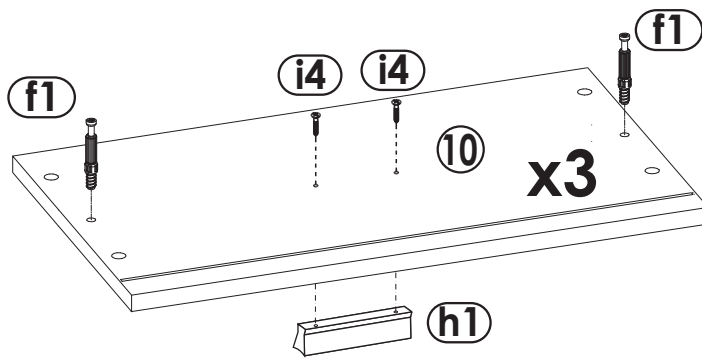
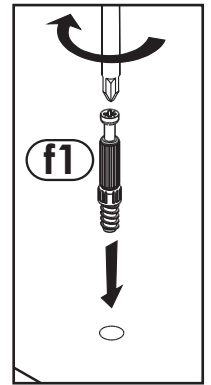
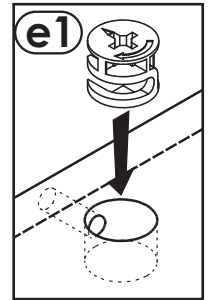
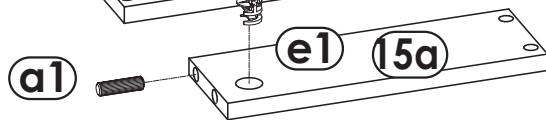
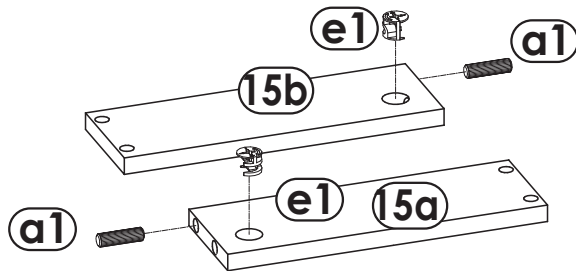
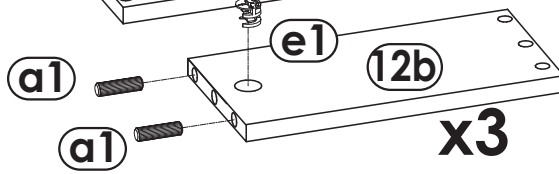
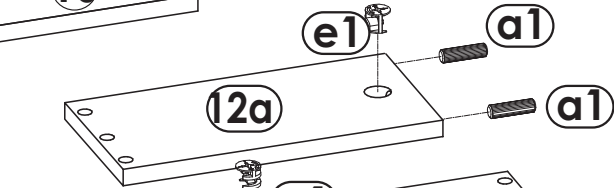
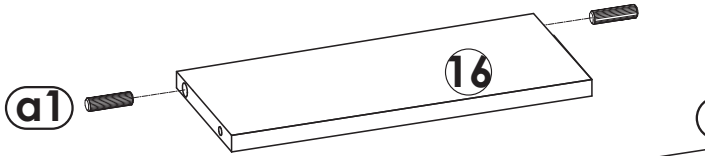
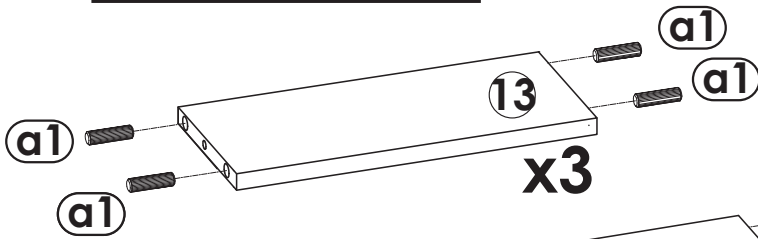
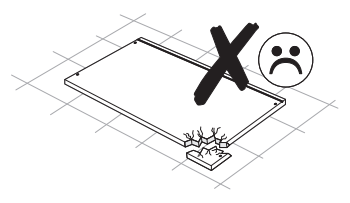
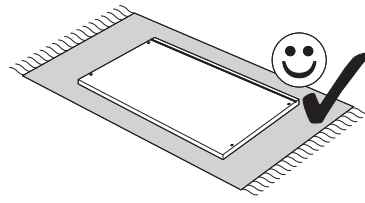
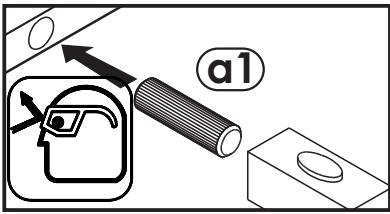
2



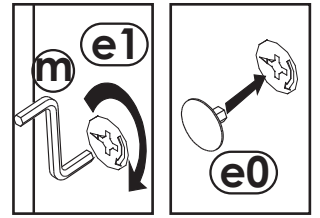
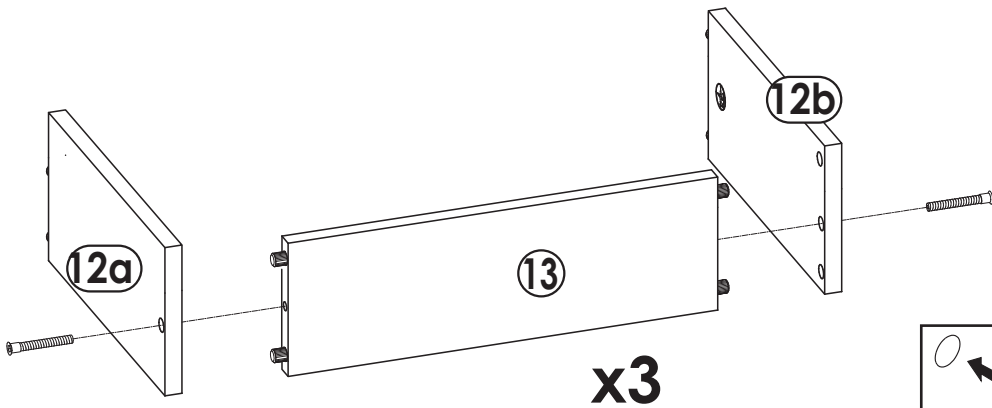
3



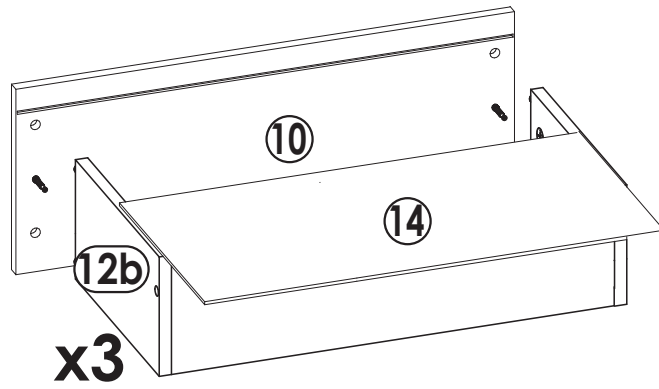
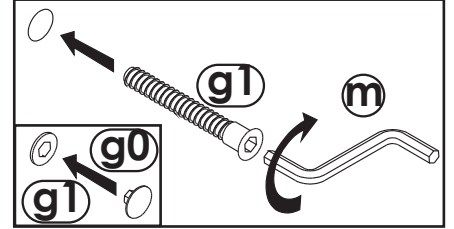
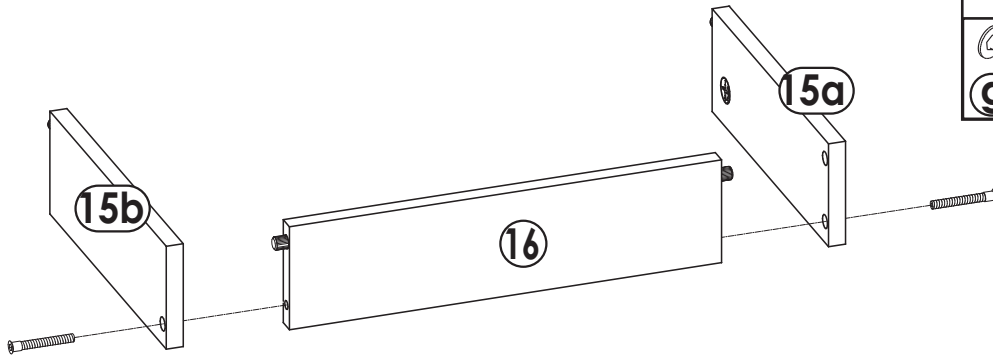
4



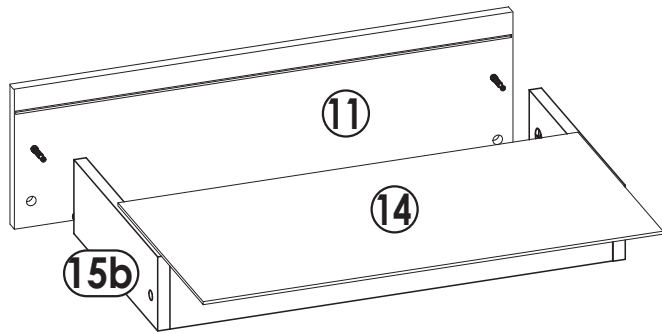
5
▼



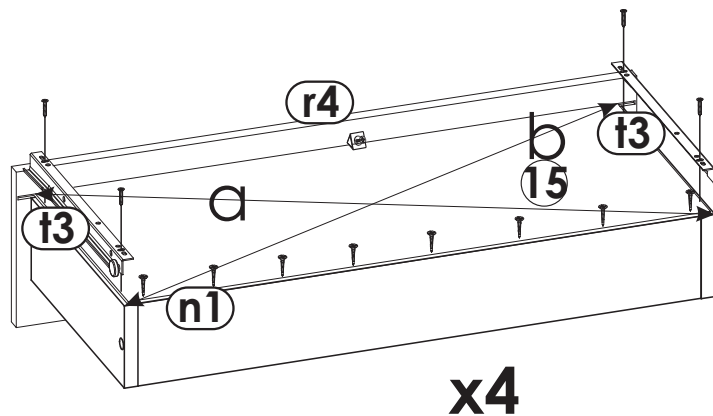
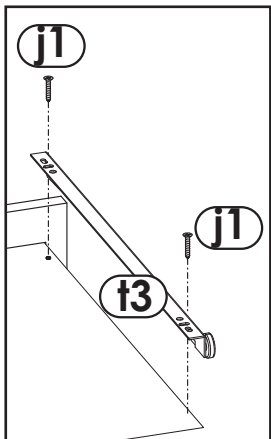
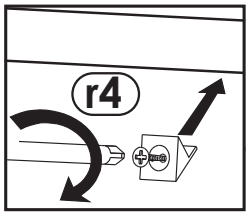
x3



x3

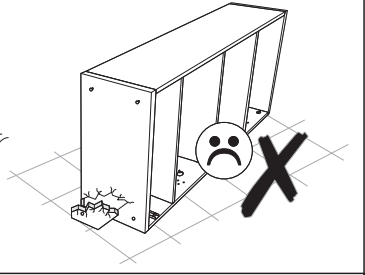
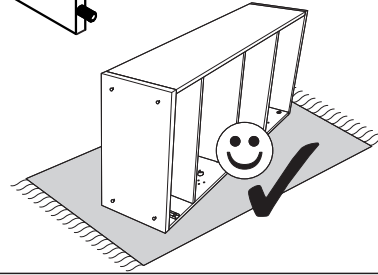
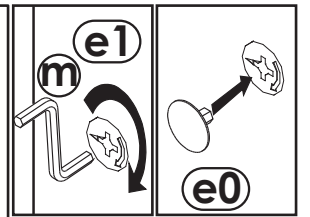
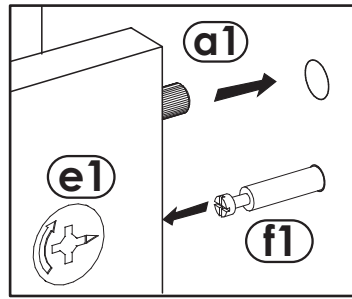
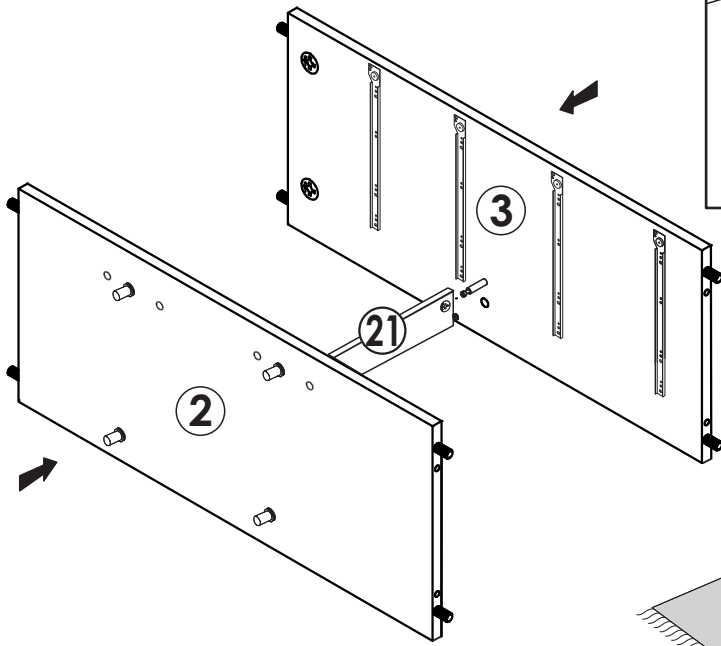


x4

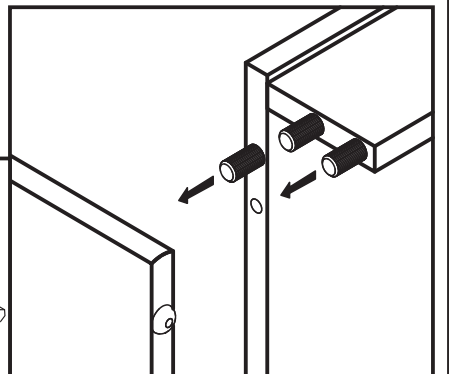
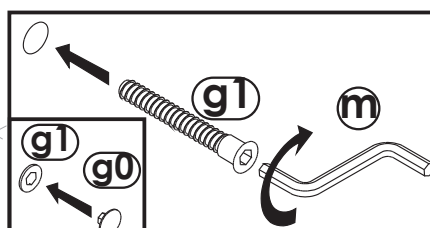
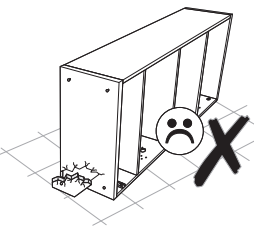
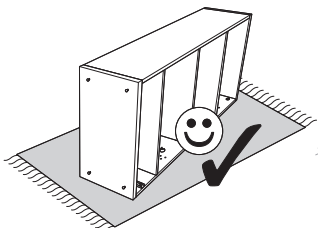
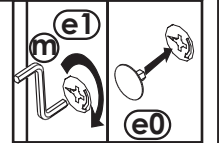
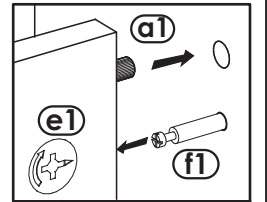
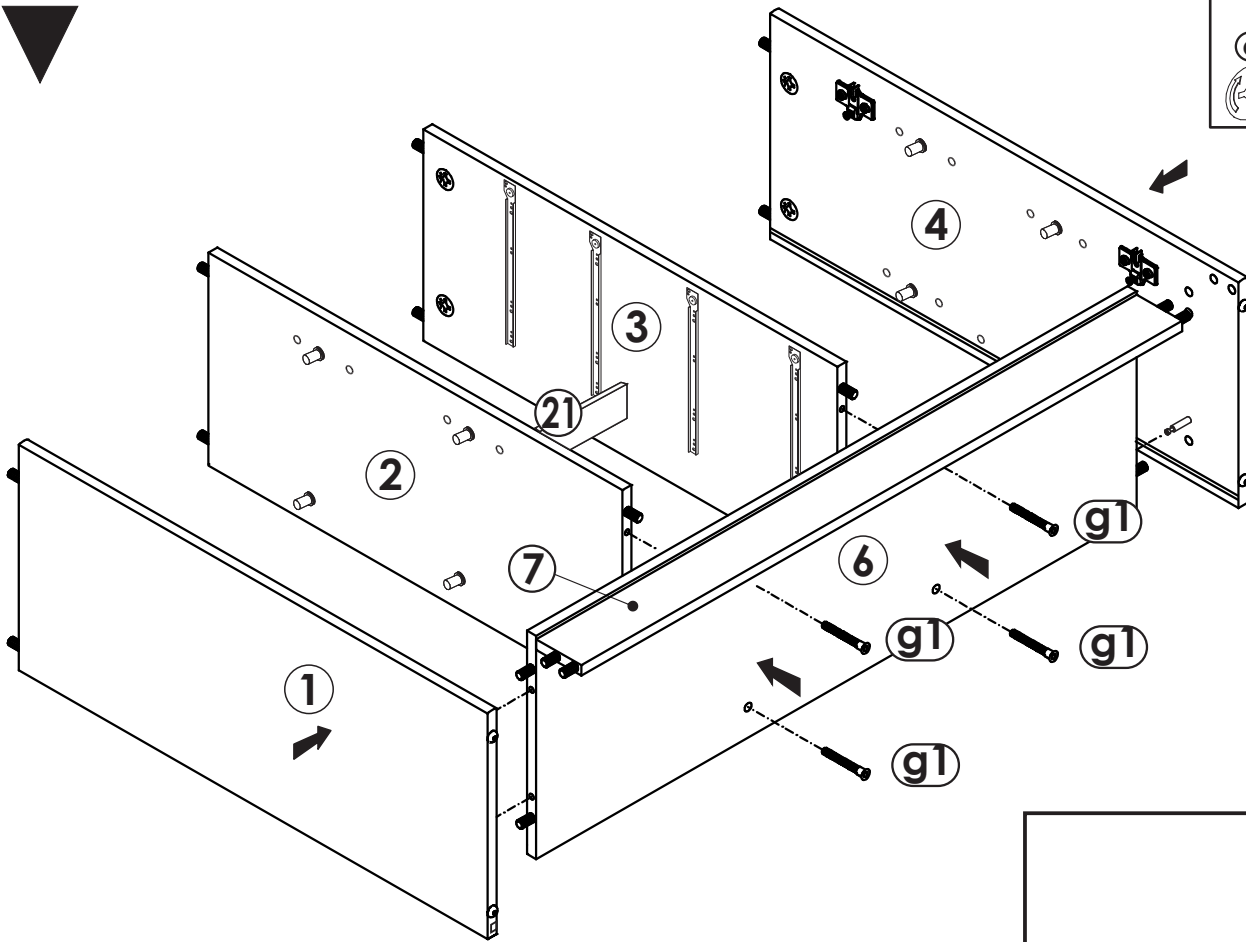


a=b

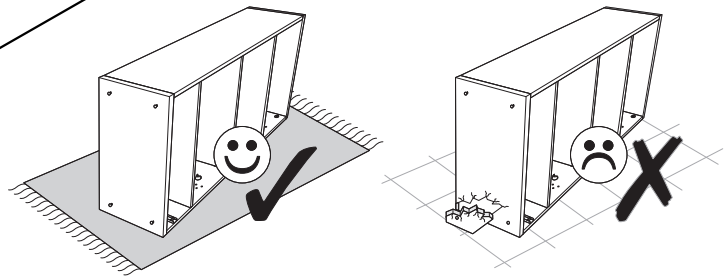
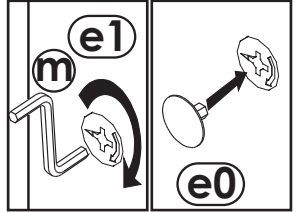
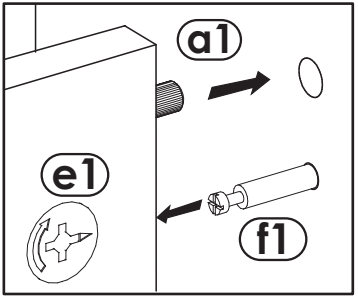
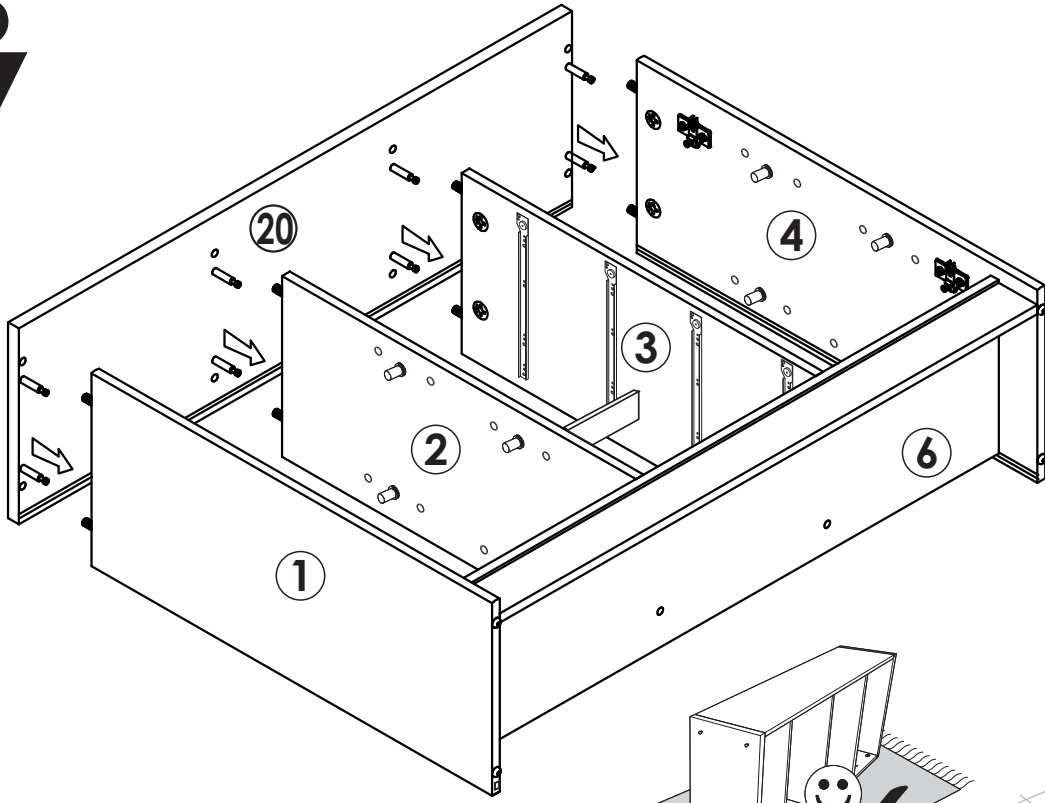
6



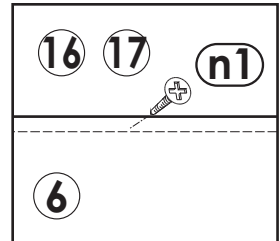
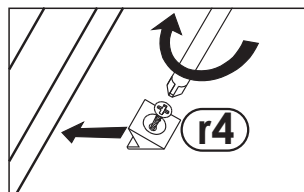
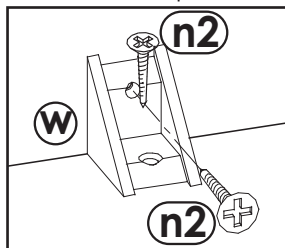
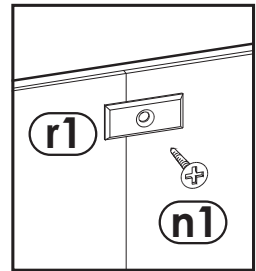
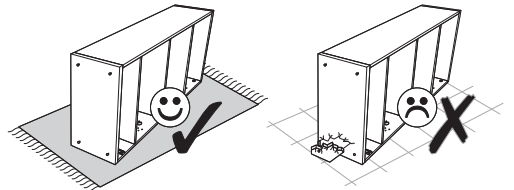
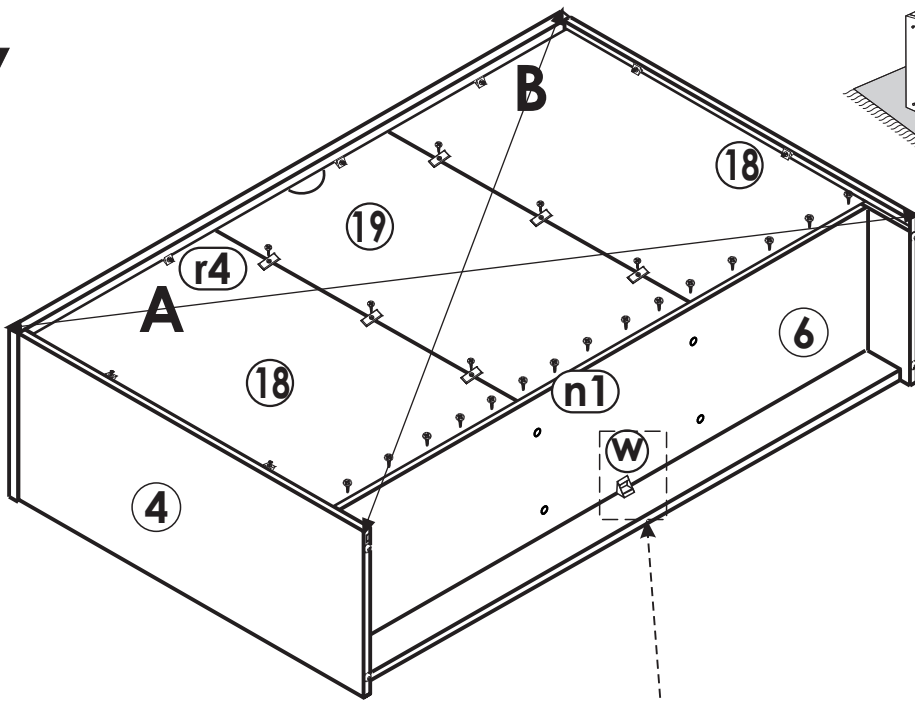
7



8

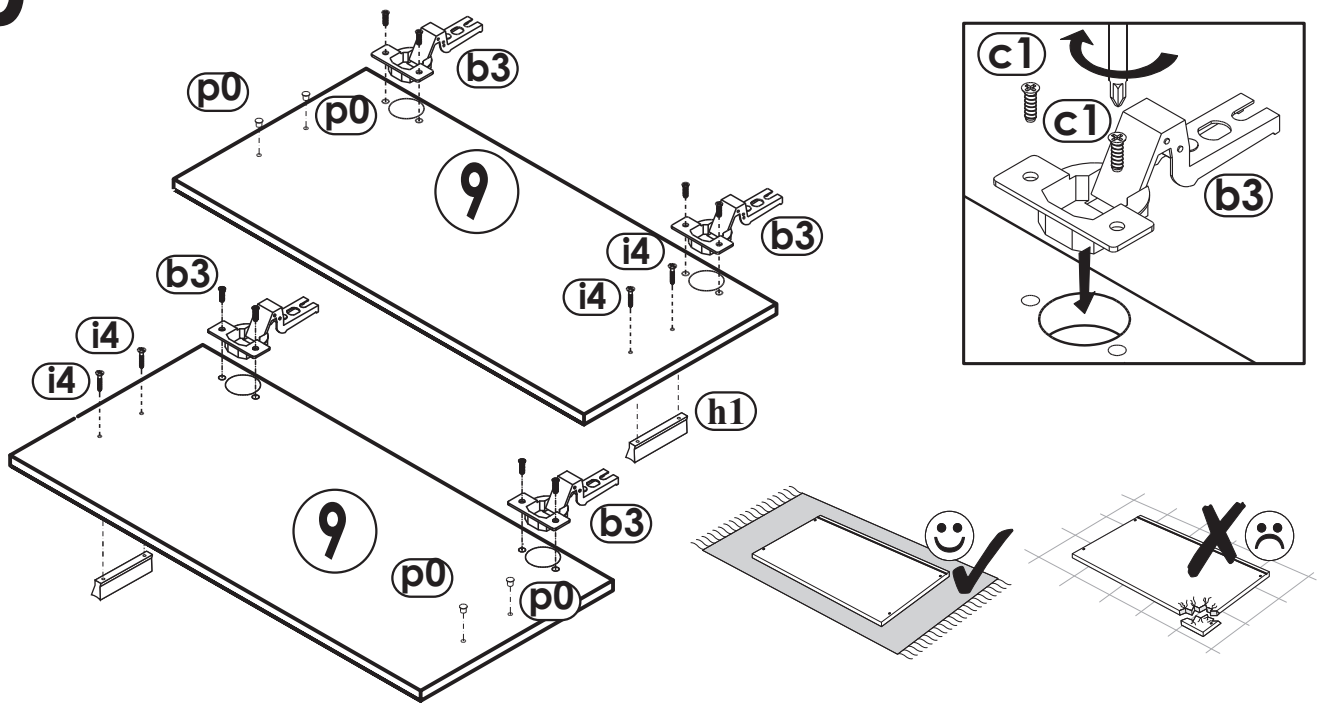


9



A=B

10



11

