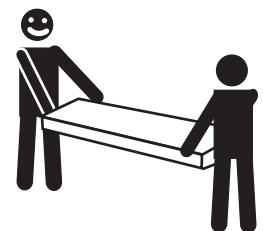
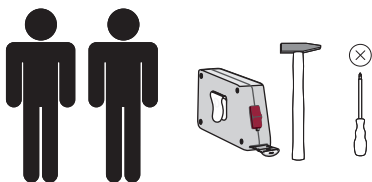
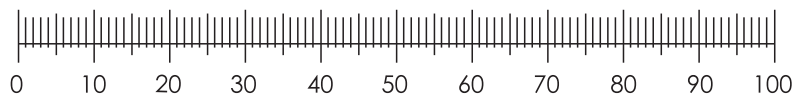
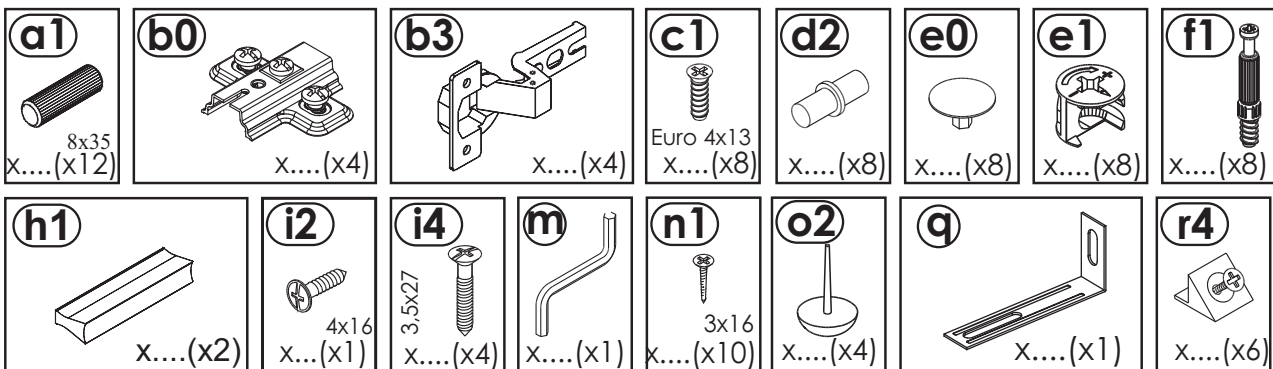
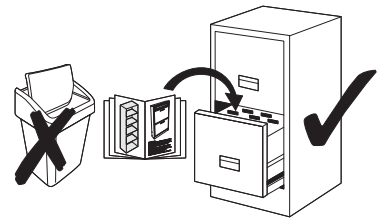
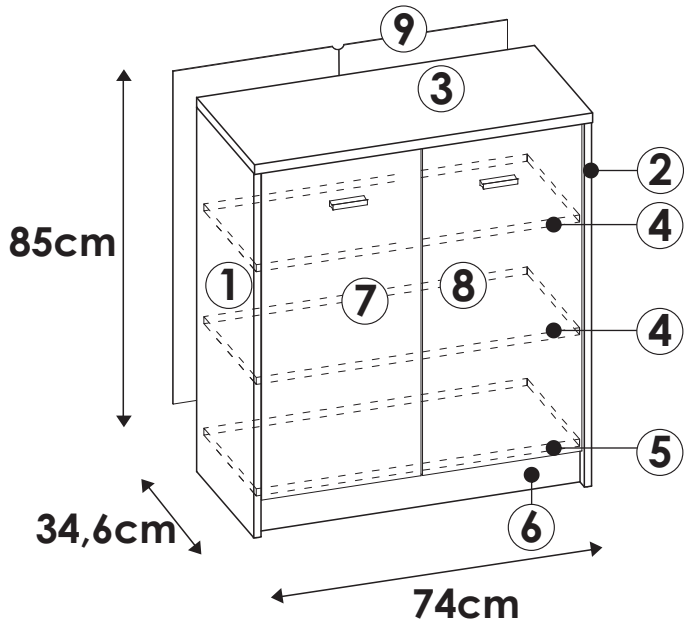
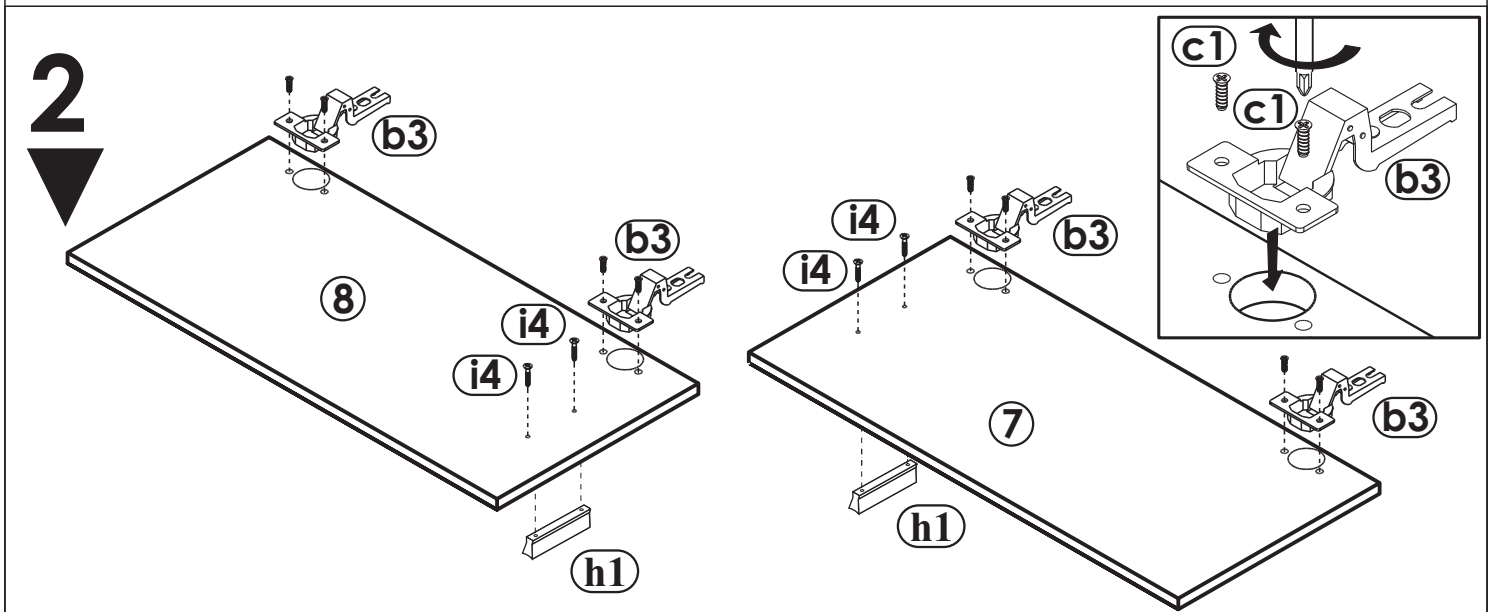
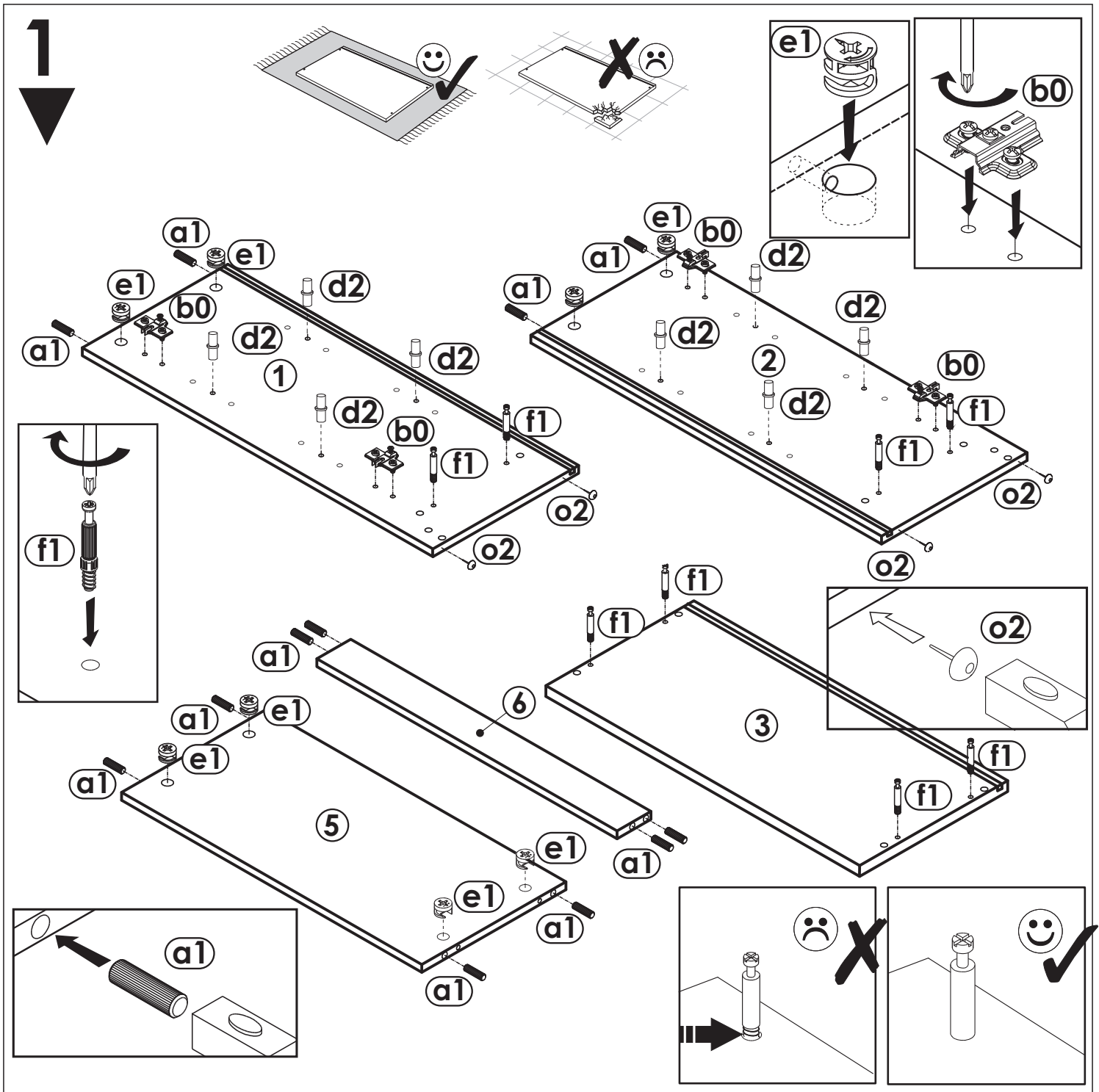


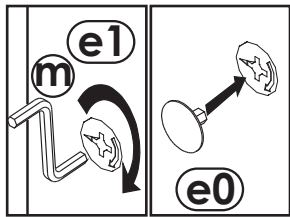
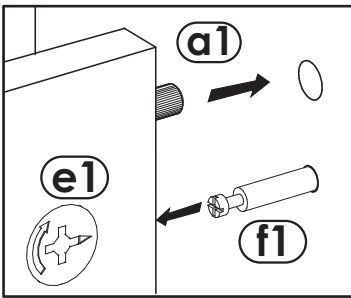
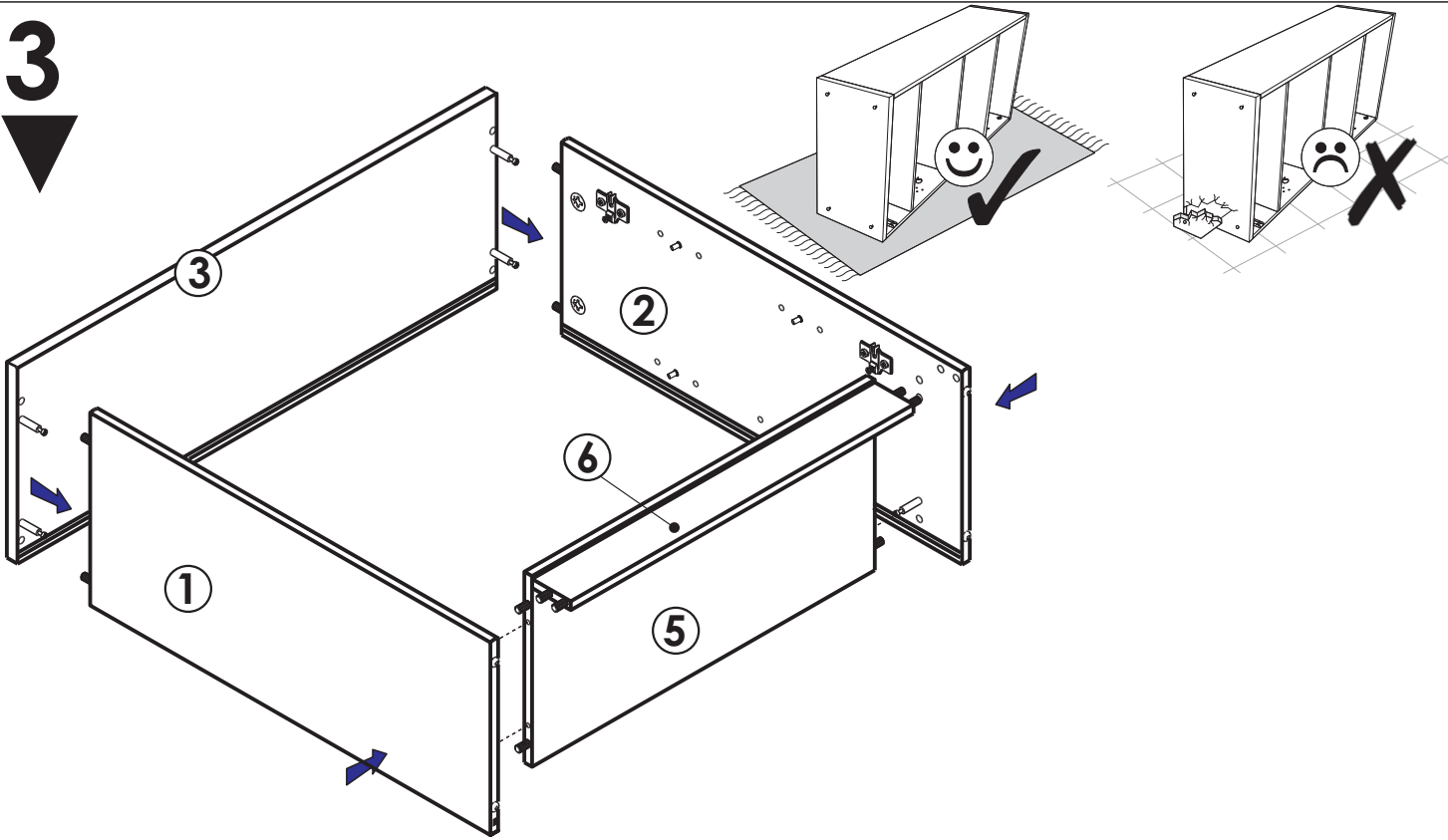
4YOU

K1-2D

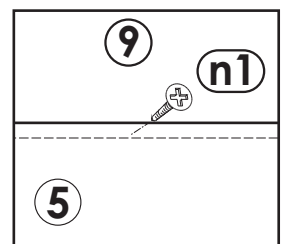
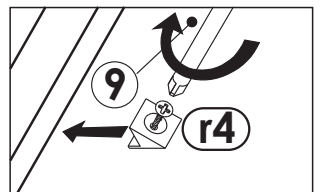
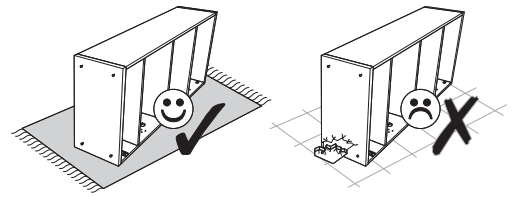
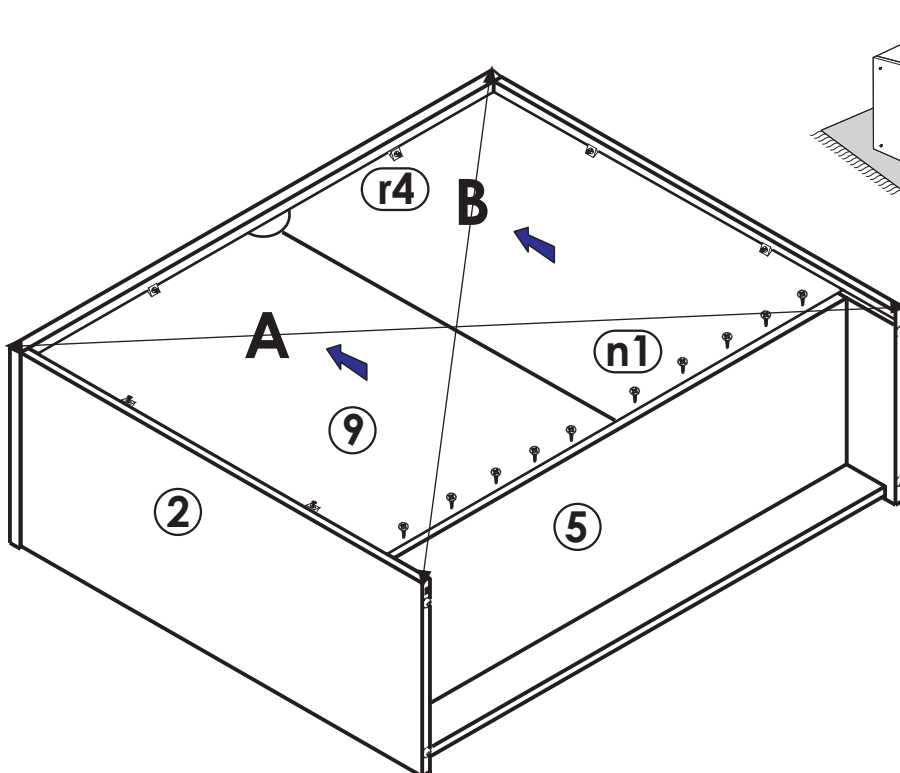




3



4



A=B

5

