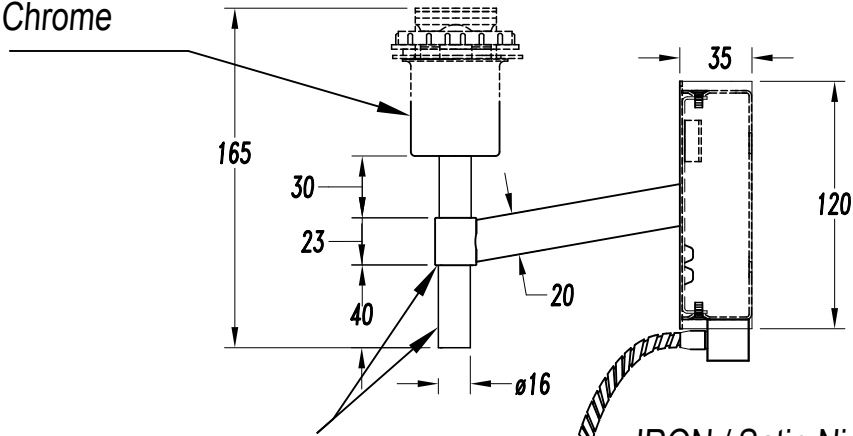
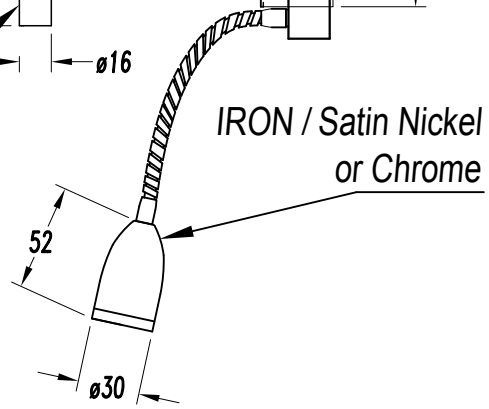


IRON / Satin Nickel
or Chrome

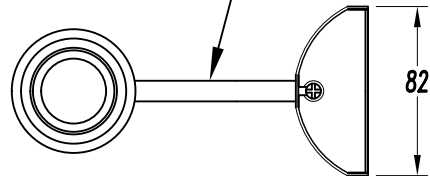


$\phi 16$ IRON TUBE
/Satin Nickel or
Chrome

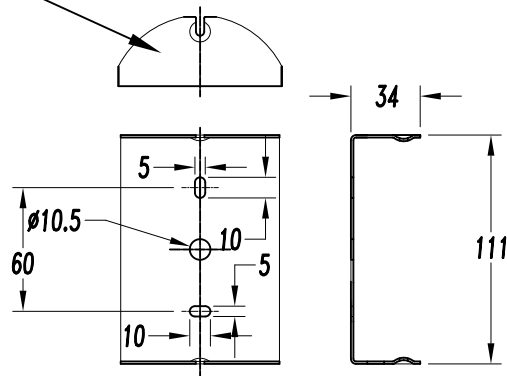


IRON / Satin Nickel
or Chrome

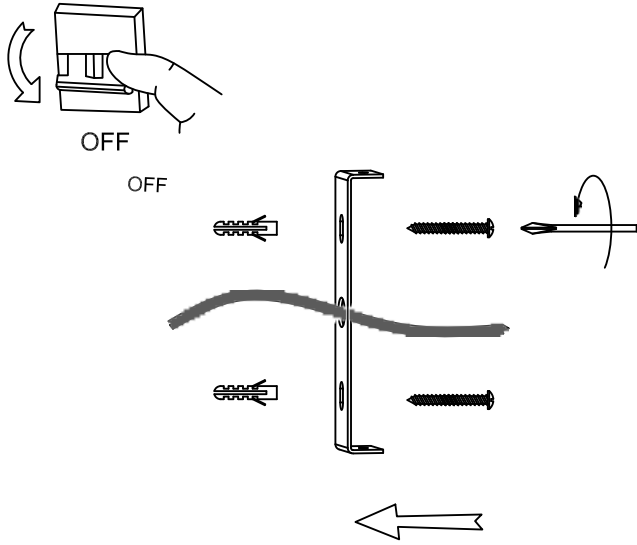
20x10 IRON TUBE
/Satin Nickel or
Chrome



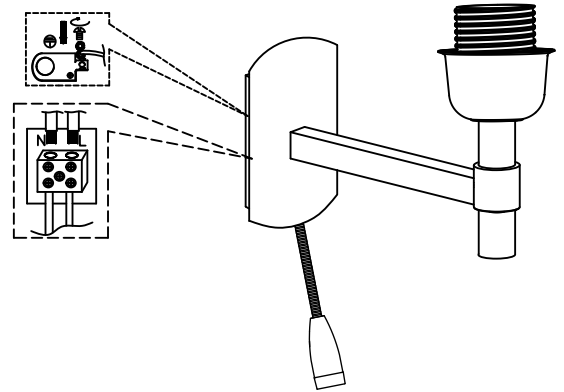
IRON / Satin Nickel
or Chrome



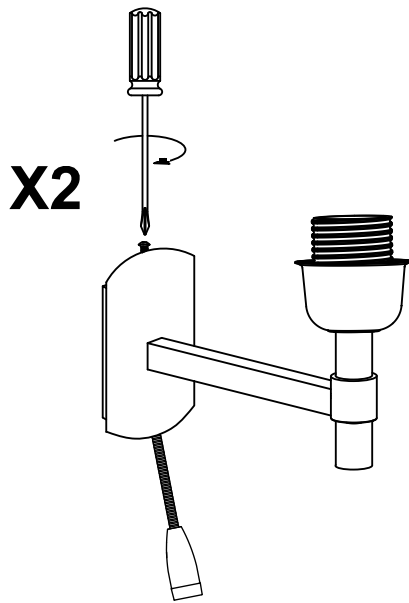
1



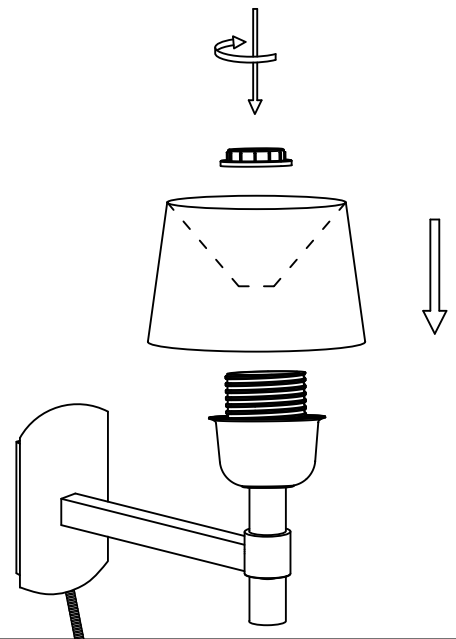
2



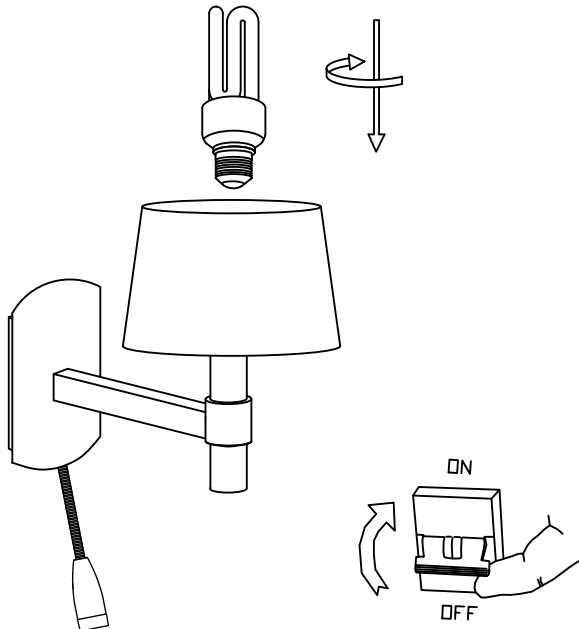
3



4



5



6

