

## Warnings and Instructions

### Generic

- Important: Retain these instructions for future reference.
- This product is intended for a maximum weight of 80kg per side. Do not exceed this weight.
- Due to the size of this product we recommend that it is assembled in the room intended for use.
- When you are ready to start, make sure that you have the right tools, plenty of space and a clean, dry area for assembly.
- Unwrap all packaging materials and place the components on top of the carton box or on a clean floor to prevent it from scratching.
- Check the pack and make sure you have all the parts listed.

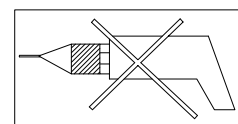
### Warnings

- This product should only be used on firm, level ground.
- Keep small parts out of reach of children.
- Ensure that this product is fully assembled as illustrated before use.
- Make sure the legs remain in contact with the ground.
- Please pay particular attention when children or animals are present to ensure that no accidental entrapment occurs whilst operating this product.
- Beware of entrapment. Keep hands and fingers clear of the mechanism when opening and closing the bed for use.
- Check all screws or bolts are tightened and inspect regularly.
- Do not use power tools to construct this product.
- Do not tighten screws until fully assembled.
- Do not over tighten screws or bolts.
- Do not use this product if parts are missing, damaged or worn.
- Do not stand on the product.

### Care

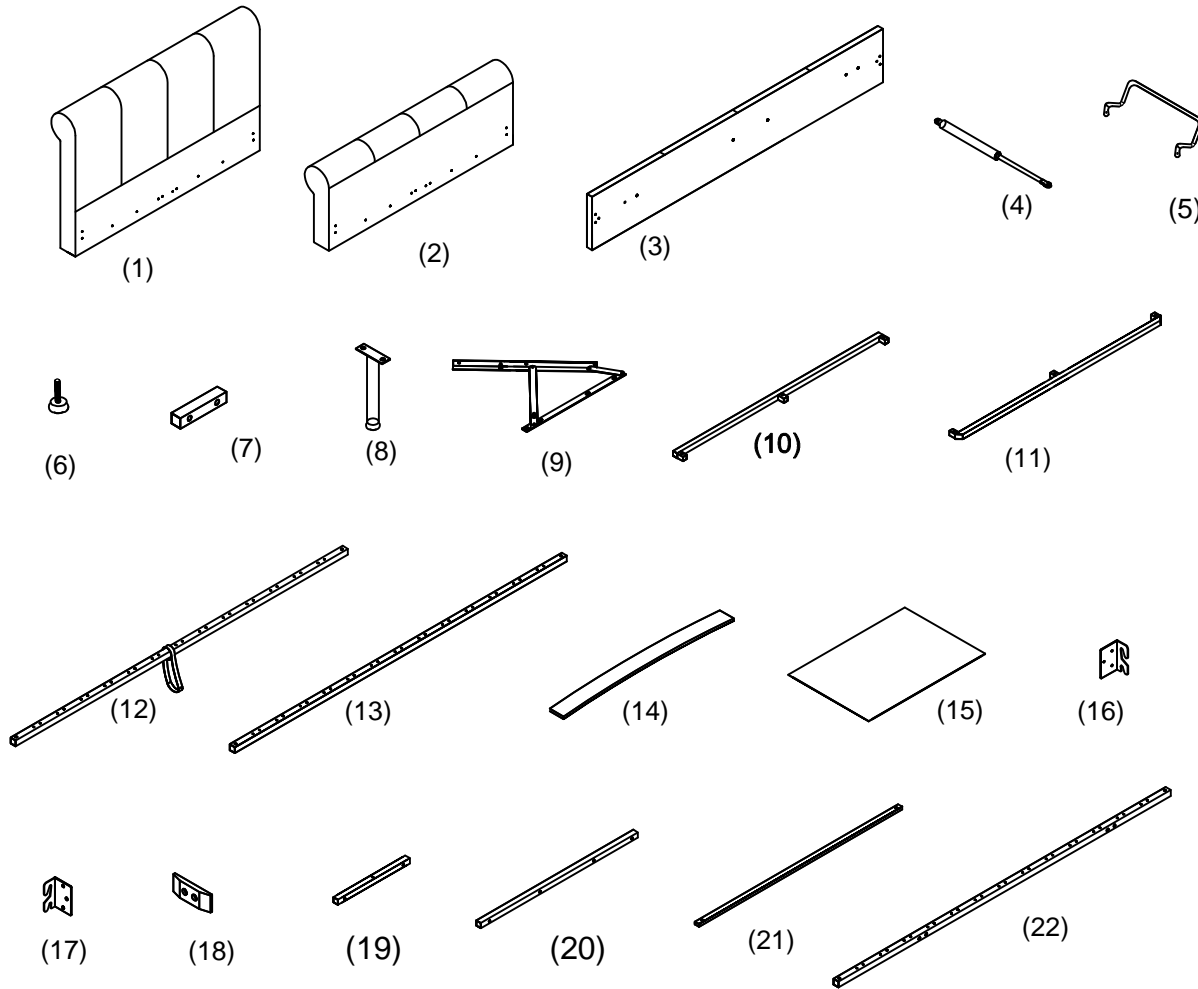
- To clean wipe with a sponge and warm soapy water. Do not use solvent based cleaners or detergents as they can bleach or damage the product.
- Never use scourers, abrasives or chemical cleaners.

**If you require further assistance, please contact the supplier.**

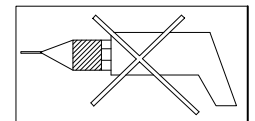


IF YOU HAVE ANY PARTS MISSING, PLEASE CONTACT YOUR SUPPLIER FOR FURTHER ASSISTANCE.

PARTS LIST






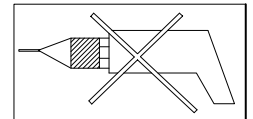
1	HEADBOARD	1 PC
2	FOOTBOARD	1 PC
3	SIDE RAIL LEFT & RIGHT PANEL	2 PCS
4	GAS LIFT	2 PCS
5	MATTRESS SUPPORT	2 PCS
6	ADJUSTABLE LEG	4 PCS
7	SIDE RAIL SHORT SUPPORT RAIL	4 PCS
8	LONG SUPPORT LEG	2 PCS
9	HINGE LEFT & RIGHT	2 PCS
10	FRONT TUBE	1 PC
11	BACK TUBE	1 PC
12	SIDE TUBE 1 WITH STRAP	1 PC
13	CENTRE RAIL	1 PC
14	WOODEN SLAT	26 PCS
15	NON WOVEN BASE	1 PC
16	BRACKET L	2 PCS
17	BRACKET R	2 PCS
18	FRAME STOPPER	4 PCS
19	SIDE RAIL LONG SUPPORT RAIL	2 PCS
20	HEAD & FOOT BOARD SUPPORT RAIL	2 PCS
21	CROSS RAIL	1 PC
22	SIDE TUBE 2	1 PC



IF YOU HAVE ANY PARTS MISSING, PLEASE CONTACT YOUR SUPPLIER FOR FURTHER ASSISTANCE.



## HARDWARE LIST

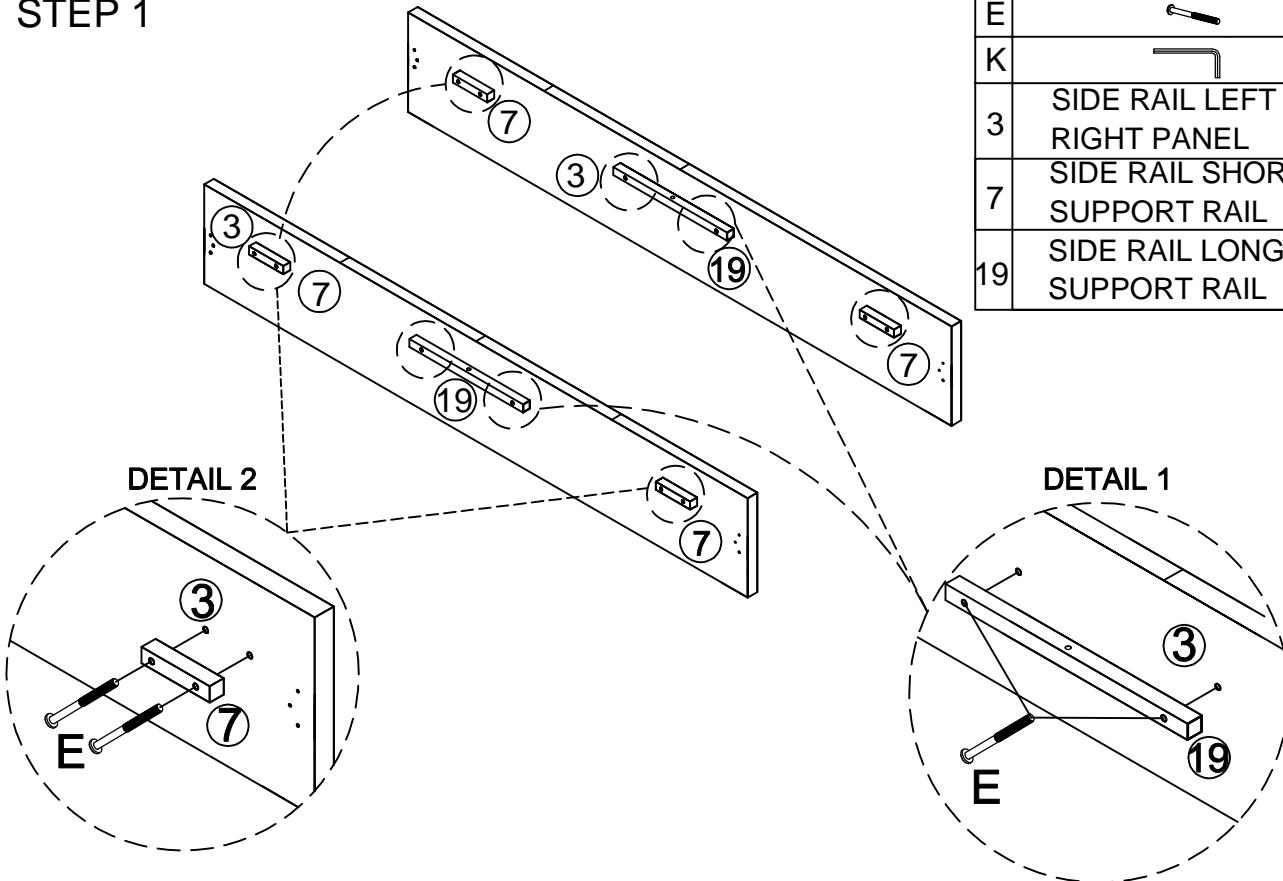
A		PLASTIC END CAP	26 PCS	
B		PLASTIC CENTRE CAP	13 PCS	
C		M6 X 20MM BOLT	30 PCS	
D		M6 X 35MM BOLT	6 PCS	
E		M6 X 40MM BOLT	20 PCS	
F		M6 X 45MM BOLT	2 PCS	
G		4.0 X 15MM SCREW	12 PCS	
H		M6 NUT	8 PCS	
J		M8 NUT	4 PCS	
K		4MM ALLEN KEY	1 PC	
L		SPANNER	1 PC	
M		Φ6 X 16MM WASHER	8 PCS	



# STEP 1


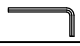
YOU WILL NEED:-

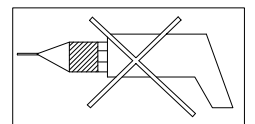
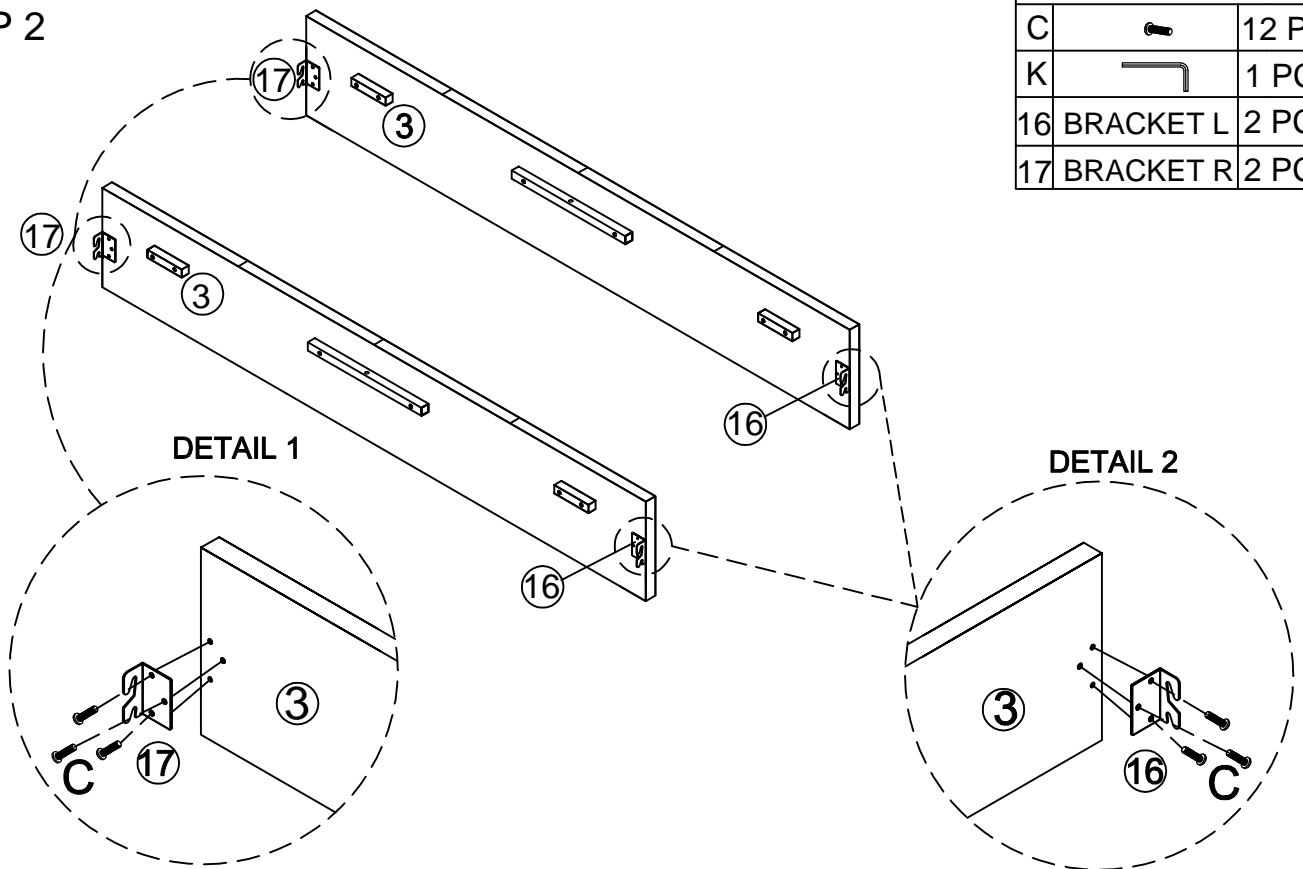
E		12 PCS
K		1 PC
3	SIDE RAIL LEFT & RIGHT PANEL	2 PCS
7	SIDE RAIL SHORT SUPPORT RAIL	4 PCS
19	SIDE RAIL LONG SUPPORT RAIL	2 PCS



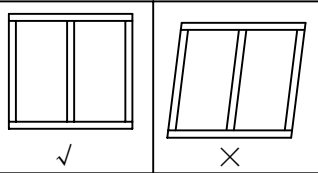
# STEP 2

YOU WILL NEED:-

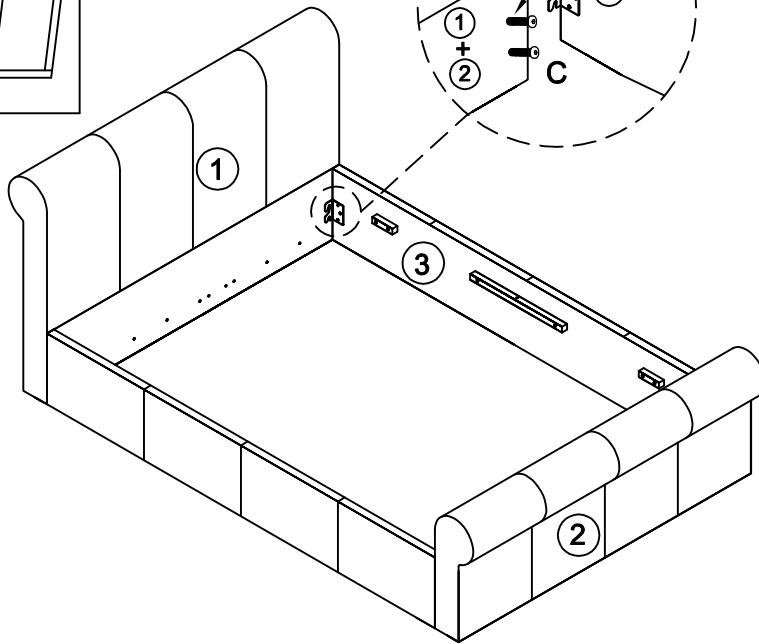
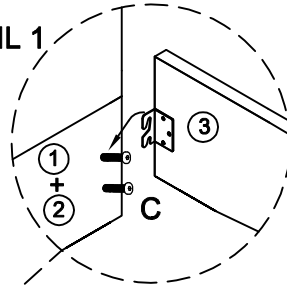
C		12 PCS
K		1 PC
16	BRACKET L	2 PCS
17	BRACKET R	2 PCS



### STEP 3



#### DETAIL 1



#### YOU WILL NEED:-

C		8 PCS
K		1 PC
1	HEADBOARD	1 PC
2	FOOTBOARD	1 PC

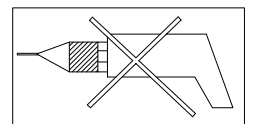
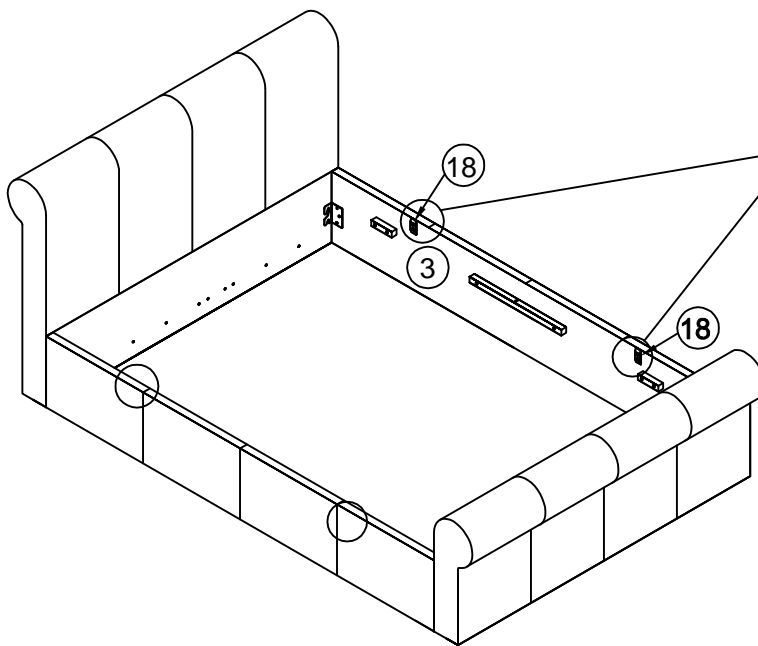
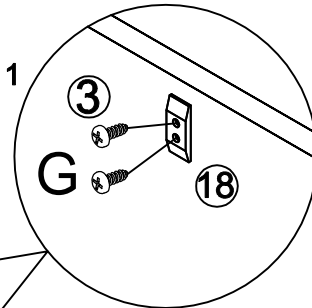
ATTACH THE 8 BOLTS (C) TO HEADBOARD AND FOOTBOARD LOOSELY, ONCE COMPLETE, SLIDE THE SIDE RAILS ONTO THESE BOLTS AND THEN TIGHTEN SO THE SIDE RAILS ARE SECURELY ATTACHED TO THE HEADBOARD AND FOOTBOARD.

### STEP 4

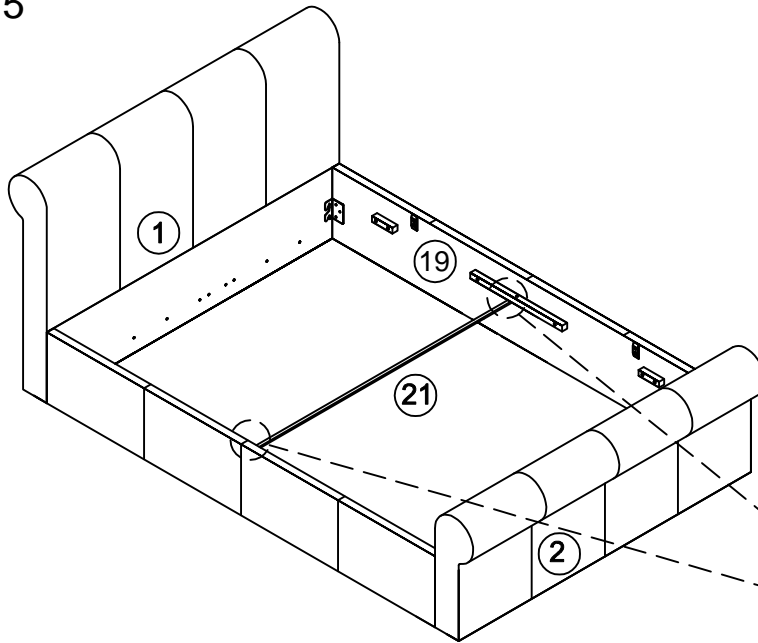
#### YOU WILL NEED:-

G		8 PCS
18	FRAME STOPPER	4 PCS





#### DETAIL 1



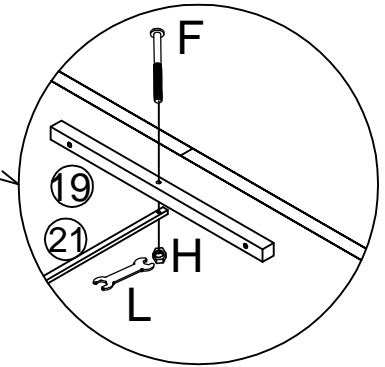
# STEP 5



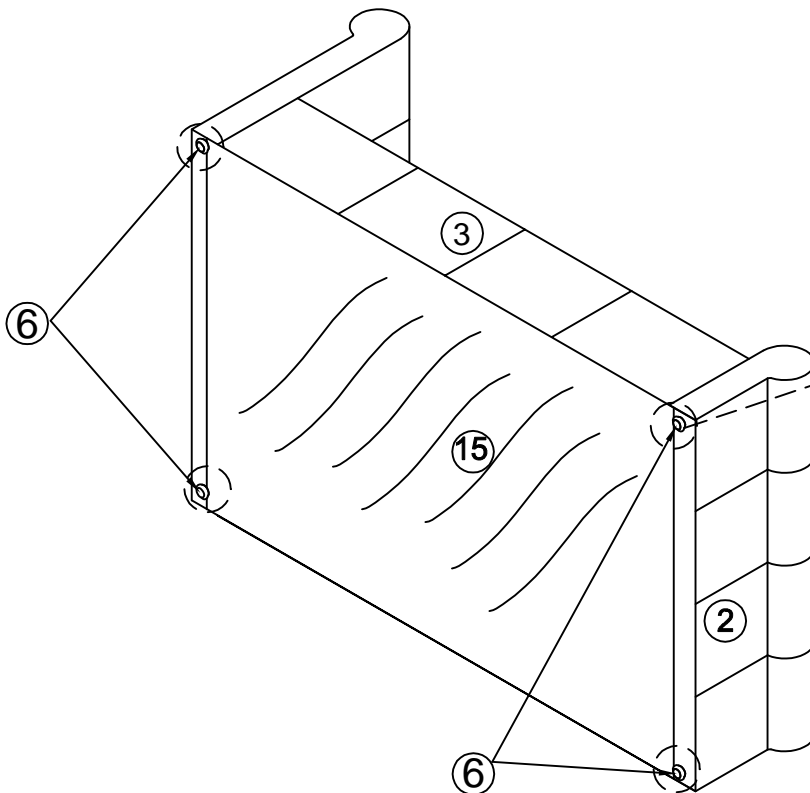
YOU WILL NEED:-

F		2 PCS
H		2 PCS
K		1 PC
L		1 PC
21	CROSS RAIL	1 PC

DETAIL 1



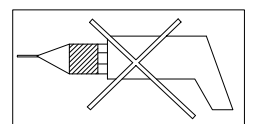
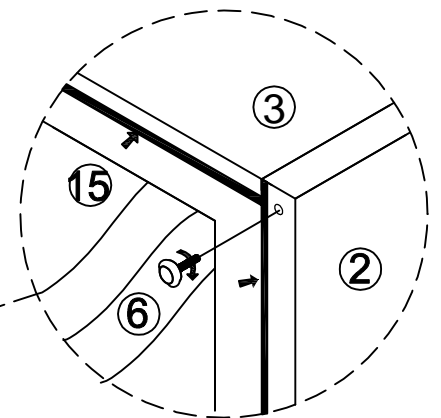
# STEP 6



YOU WILL NEED:-

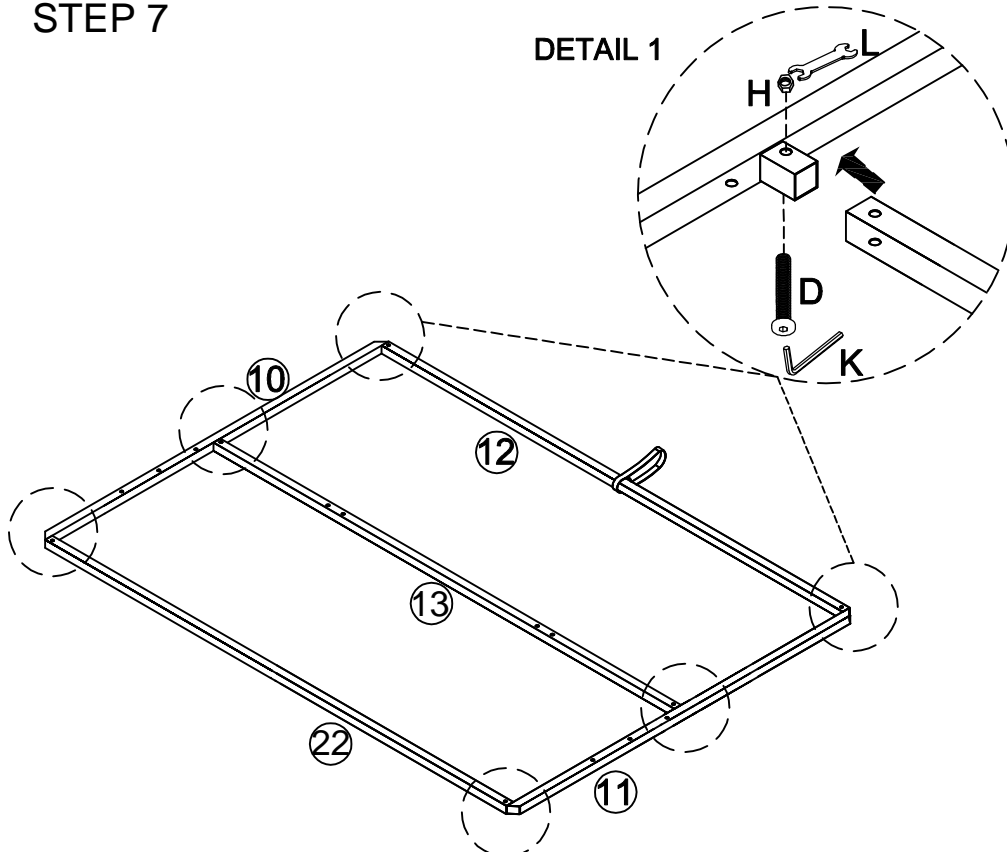
6	ADJUSTABLE LEG	4 PCS
15	NON WOVEN BASE	1 PC

DETAIL 1



# STEP 7

DETAIL 1

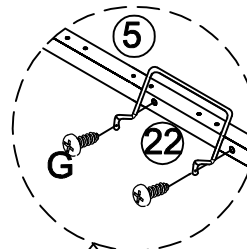


YOU WILL NEED:-		
D		6 PCS
H		6 PCS
L		1 PC
K		1 PC
10	FRONT TUBE	1 PC
11	BACK TUBE	1 PC
12	SIDE TUBE 1 WITH STRAP	1 PC
13	CENTRE RAIL	1 PC
22	SIDE TUBE 2	1 PC

Important: Ensure all the metal tubes are positioned in accordance with this illustration before securing. If the parts are assembled differently, this frame will not attach the base frame.

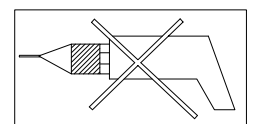
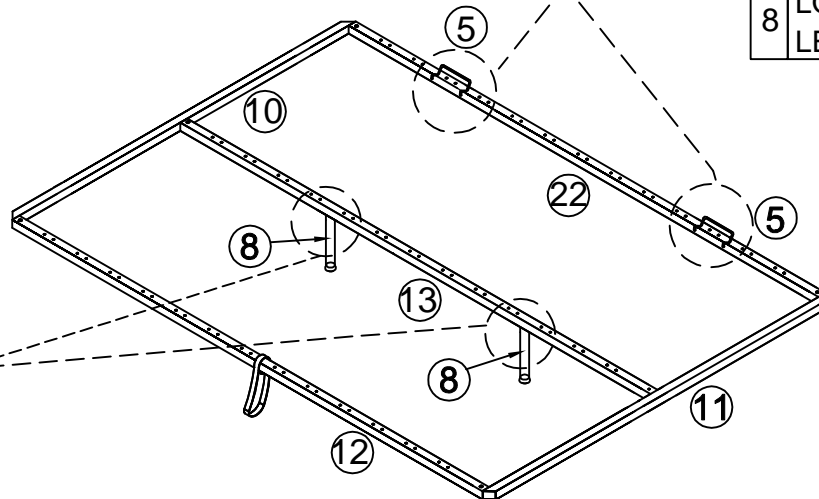
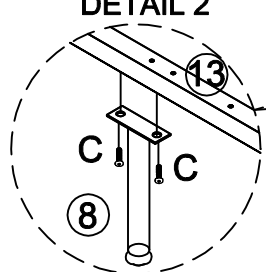
# STEP 8

DETAIL 1

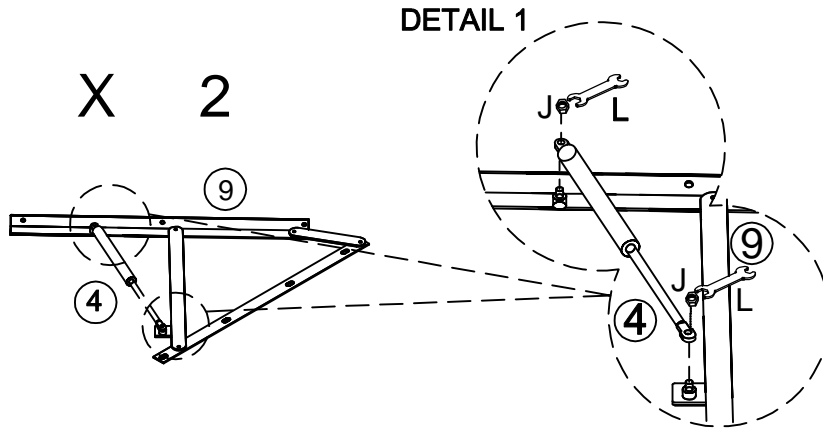


YOU WILL NEED:-		
C		4 PCS
G		4 PCS
K		1 PC
5	MATTRESS SUPPORT	2 PCS
8	LONG SUPPORT LEG	2 PCS

DETAIL 2



STEP 9

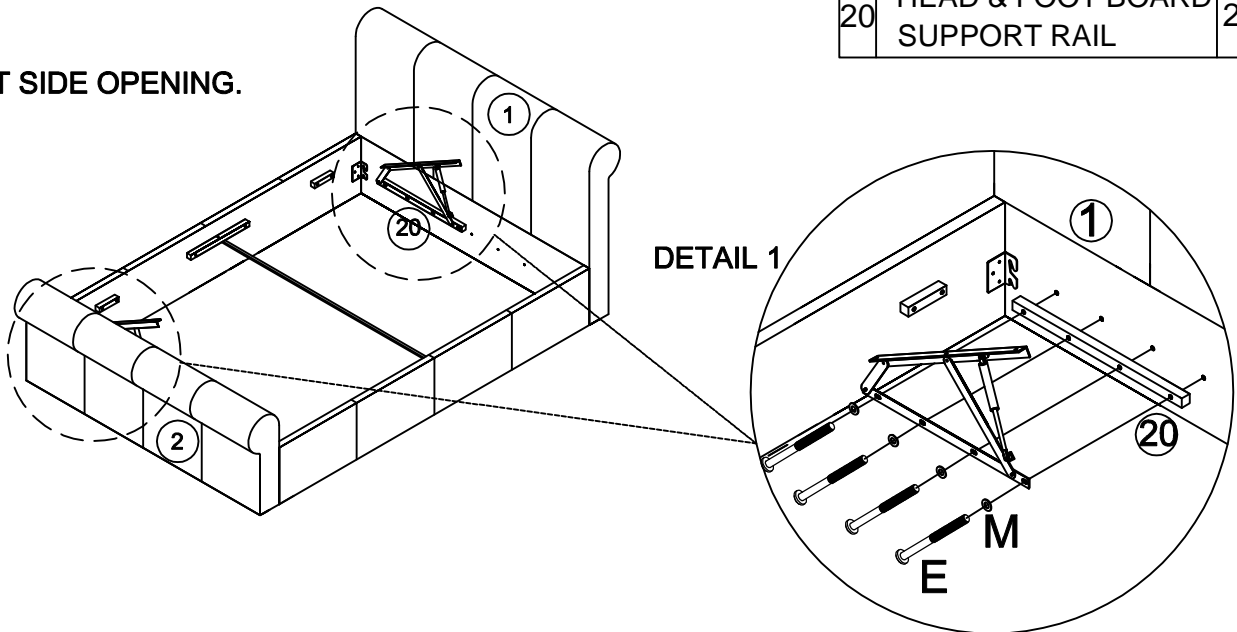


YOU WILL NEED:-		
J		4 PCS
L		1 PC
4	GAS LIFT	2 PCS
9	HINGE LEFT & RIGHT	2 PCS

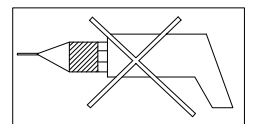
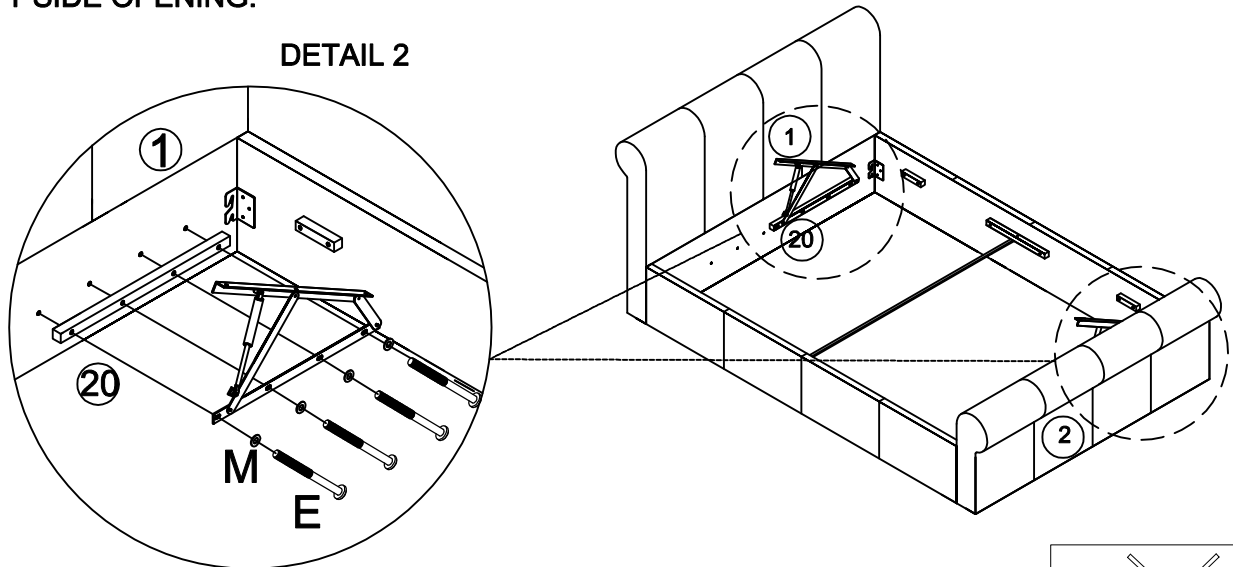
STEP 10

YOU WILL NEED:-		
E		8 PCS
K		1 PC
M		8 PCS
20	HEAD & FOOT BOARD SUPPORT RAIL	2 PCS

RIGHT SIDE OPENING.





OR LEFT SIDE OPENING.

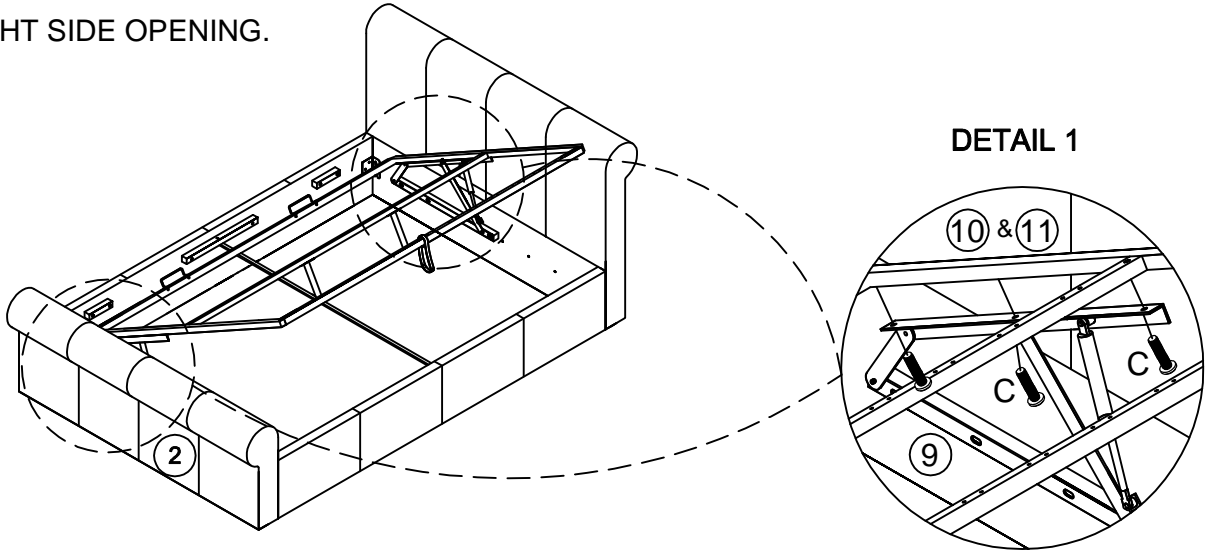




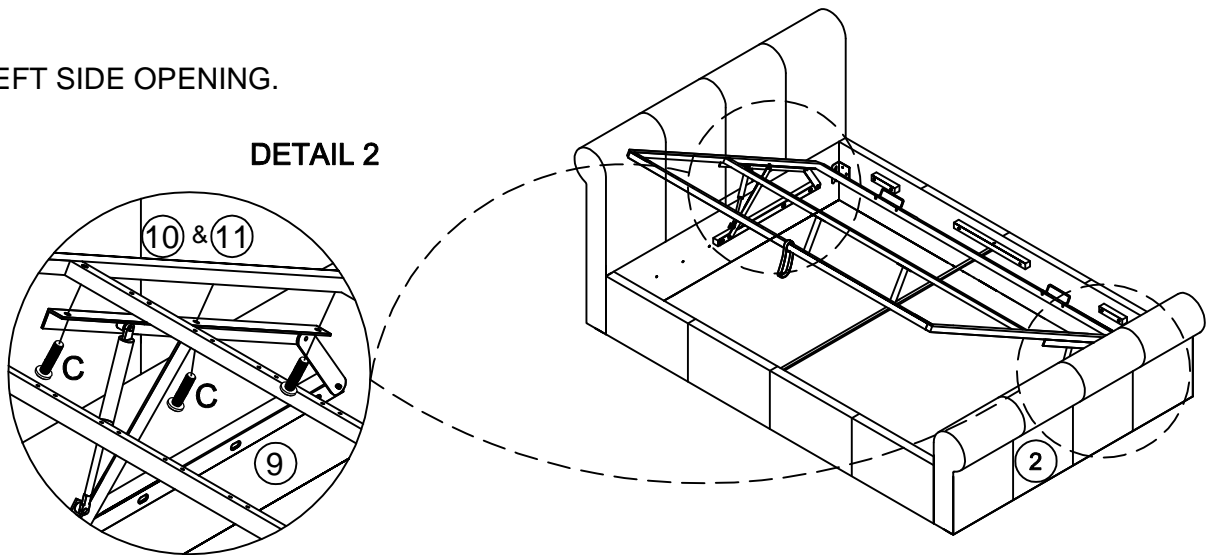
# STEP 11

YOU WILL NEED:-		
C		6 PCS
K		1 PC

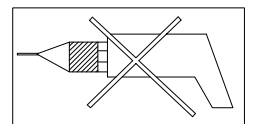
RIGHT SIDE OPENING.





OR LEFT SIDE OPENING.

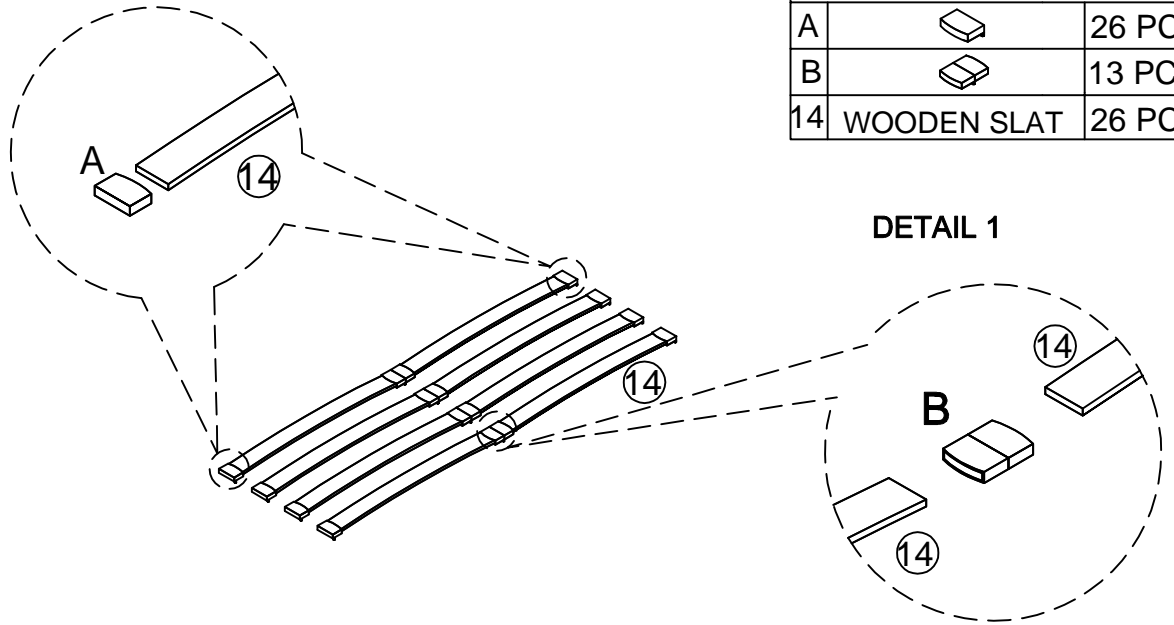


ATTACH THE BED BASE SIDE TUBES TO HINGES (9) USING BOLT (C), ONCE BASE IS ATTACHED PLEASE ENSURE THE SUPPORT LEG IS AT LEAST 10MM AWAY FROM THE STORAGE BASE.

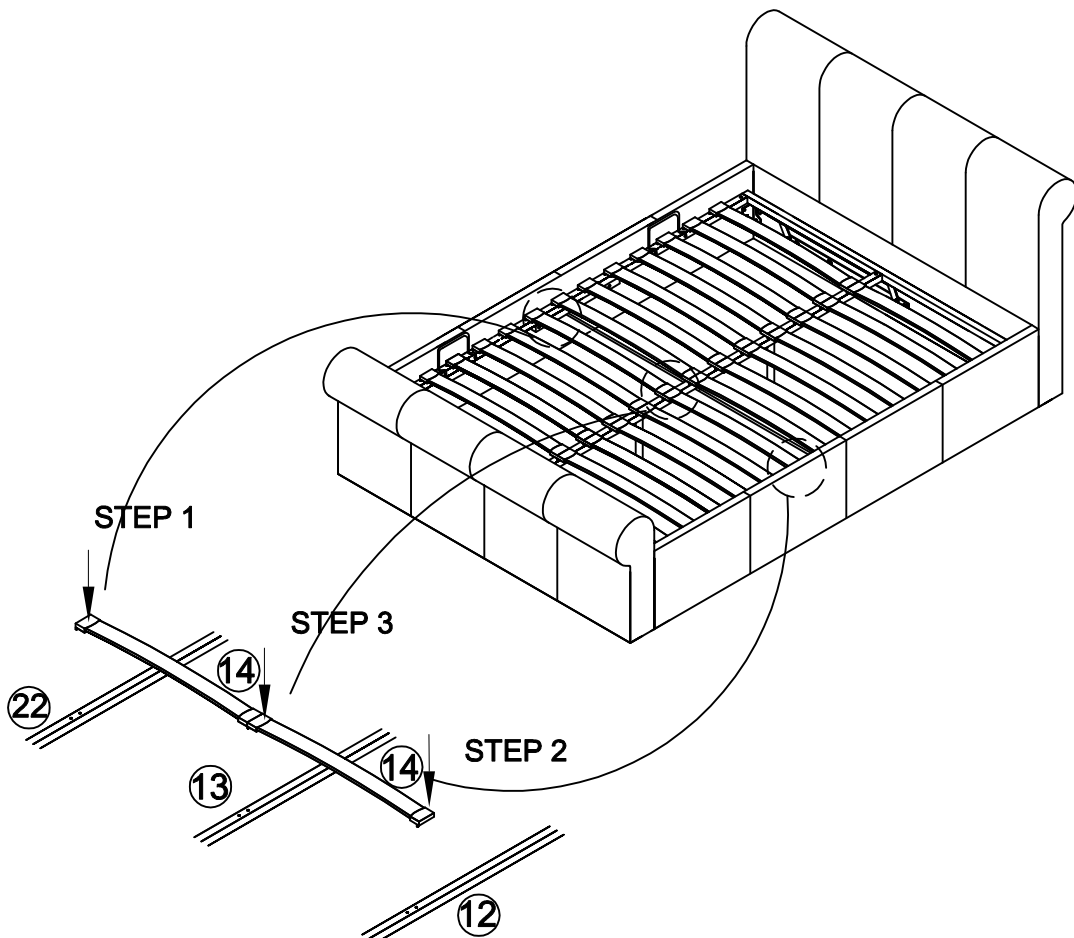


# STEP 12

YOU WILL NEED:-		
A		26 PCS
B		13 PCS
14	WOODEN SLAT	26 PCS



# STEP 13



ASSEMBLY COMPLETE. PLEASE CHECK ALL FITTINGS ARE SECURE ON A REGULAR BASIS TO AVOID DAMAGES.

