

Safety and Care Advice

Assembly time: 1.5 Hours

IMPORTANT - READ CAREFULLY - RETAIN THESE INSTRUCTIONS FOR FUTURE REFERENCE.

- Due to the size of this product we recommend that it is assembled in the room intended for use.
- Maximum TV Dimensions: 70 Wide x 39 High x 6cm Deep.
- When you are ready to start, make sure that you have the right tools, plenty of space and a clean, dry area for assembly.
- Unwrap all packaging materials and place the components on top of the carton box or on a clean floor to prevent it from scratching.
- Check the pack and make sure you have all the parts listed.
- Ensure that this product is fully assembled and secured as illustrated before use.
- Check all screws or bolts are tightened and inspect regularly.
- This product should only be used on firm, level ground.
- Please dismantle for transportation.
- This product complies with the essential requirements of the EMC Directive 2004/108/EC and Low Voltage Directive 2006/95/EC
- Keep away from temperatures over 35°C.
- Only use recommended accessories.
- Tools not included unless stated in parts list.

WARNINGS

- This product is intended for a maximum person's weight of 100kg per side. Do not exceed this weight.
- Keep small parts out of reach of children.
- Make sure the legs remain in contact with the ground.
- Do NOT use power tools to construct this product.
- Do NOT tighten screws until fully assembled.
- Do NOT over tighten screws or bolts.
- Do NOT use this product if parts are missing, damaged or worn.
- Do NOT stand on the product
- Please pay particular attention when children or animals are present to ensure that no accidental entrapment occurs whilst operating this product.
- DO NOT expose this product to dripping or splashing, rain or areas with heavy moisture.
- DO NOT place any objects filled with liquids, such as vases, on the product.
- DO NOT place the product in direct sunlight, open flames such as candles or heat, such as radiators. Keep away from temperatures over 35°C.
- DO NOT insert foreign objects into the product.
- DO NOT attempt to repair this unit by yourself.

CARE INFORMATION

- Never use scourers, abrasives or chemical cleaners.
- To clean wipe with a sponge and warm soapy water. Do not use solvent based cleaners or detergents as they can bleach or damage the product.

Safety and Care Advice

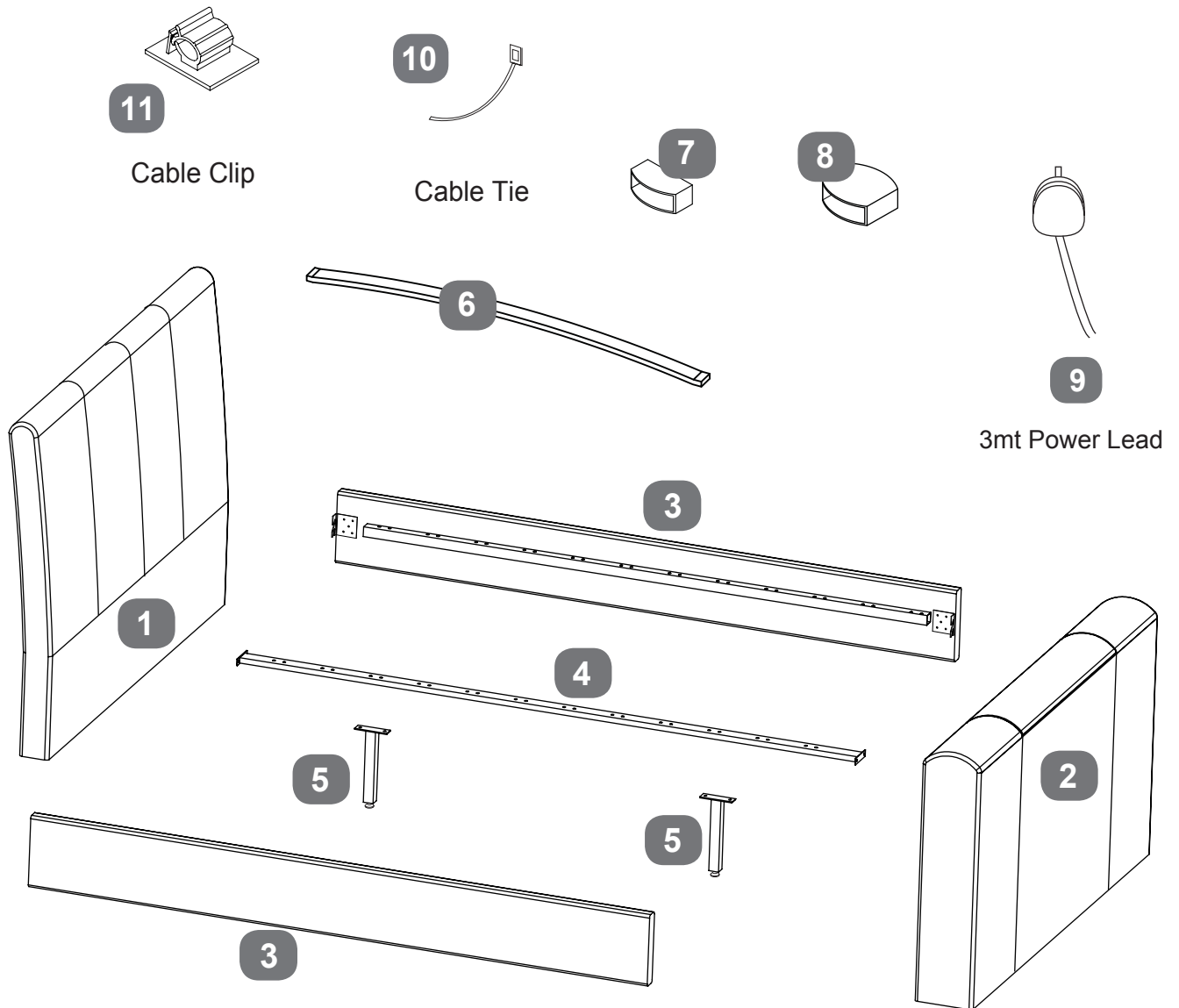
WARNINGS - ELECTRICAL COMPONENTS

- Before using the unit, please read this manual.
- Unplug the unit during lightning storms or when unused for long periods of time.
- The unit should be powered off before plugging the product into the power outlet. This unit should be powered off before unplugging the product. Install this unit so that the power cord can be unplugged from the socket immediately if any problems occur.
- Never try to repair this product yourself, take it to an authorized technician. Trying to remove panels or repairing the unit yourself could result in an electric shock. Servicing is required when the unit has been damaged in any way, such as power supply cord or plug is damaged, liquid has been spilled or objects have fallen onto the unit, the unit has been exposed to rain or moisture or does not operate normally.
- In order to prevent injury, never attempt to remove the cover or any other components.
- This appliance is not intended for use by persons (including children) with reduced physical, sensory or mental capabilities, or lack of experience and knowledge, unless they have been given supervision or instruction concerning the use of the appliance by a person responsible for their safety.
- Children (under the age of 13) should be supervised to ensure that they do not play with the appliance.

Parts Checklist

Ref.	Description	Qty	Ref.	Description	Qty
1	Headboard	1	7	Single Plastic Cap (Double/King)	24/26
2	Footboard	1	8	Double Plastic Cap (Double/King)	12/13
3	Side Panel	1	9	3mt Power Lead	1
4	Centre Support Bar	1	10	Cable Tie	3
5	Centre Leg	2	11	Cable Clip	3
6	Wooden Slats (Double/King)	24/26			

Parts Identification



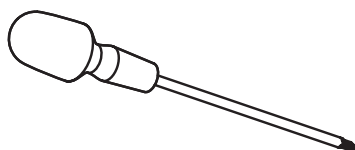
Fittings Checklist

Code	Description	Qty	Code	Description	Qty
A	Bolts (M8x30mm) for fitting side panel (3&4) to headboard & footboard (1&2).	x12	F	Cable Clip	x3
B	Spring Washer	x8	G	Bolts (M8x40mm) for fitting leg (5) to centre support bar (4)	x4
C	Washer (17x8mm)	x16	H	Spanner for holding Nuts (E)	x1
D	Allen Key (8mm)	x1	J	Cable Manager Clip	x1
E	Nut (M8) for fitting legs (5) to centre support bar(4)	x4	K	Cable Manager Tube	x1
			Q	Cable Tie	x3

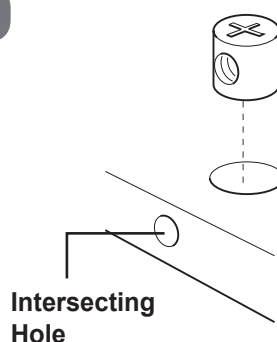
TV INSTALLATION KIT

L	Screw-Washer set (M8)	x4	M	Allen Key (5mm)	x1
	Counter-Sunk Screw (M6)	x4		Allen Key (4mm)	x1
	Counter-Sunk Screw (M4)	x4		Allen Key (3mm)	x1
N	Nuts-Washer set (M6)	x2	P	Spanner for Nuts (N)	x1

Additional Tools Required



Crosshead Screwdriver



Intersecting Hole

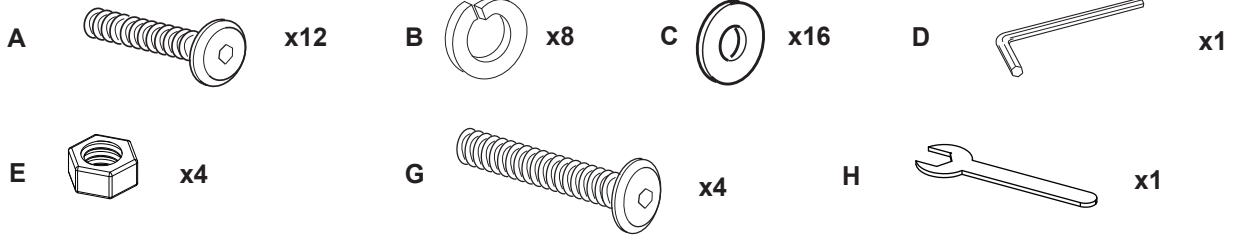
When they are supplied and are part of the assembly of this bed, ensure that barrel nuts are fitted the correct way so the hole is facing towards the intersecting hole.

We recommend the bed is assembled in the room it will be located in.

Bed Assembly

Stage

1



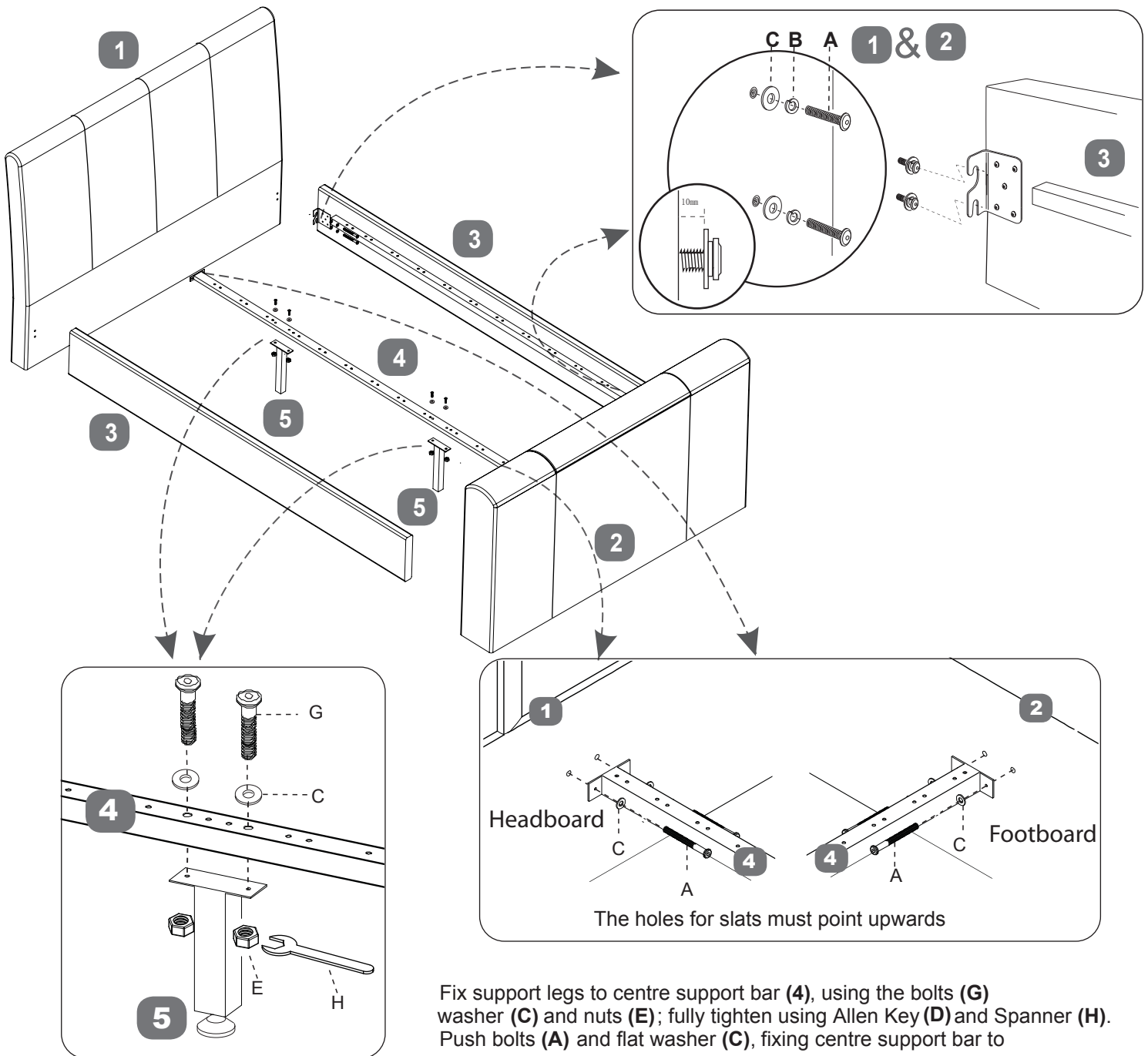
Fit the bolts (**A**), spring washers (**B**), and flat washers (**C**) to the holes in the footboard (2) as shown.

Note: Do not fully locate the bolts, but leave 10mm protruding.

Fit the side panels (**3**) to the footboard locating the brackets behind the flat washers.

Fit the bolts (**A**), spring washers (**B**), and flat washers (**C**) through the brackets in the central set of holes.

Once all four corners are located, make sure the bed is square.



Fix support legs to centre support bar (**4**), using the bolts (**G**) washer (**C**) and nuts (**E**); fully tighten using Allen Key (**D**) and Spanner (**H**). Push bolts (**A**) and flat washer (**C**), fixing centre support bar to headboard & footboard respectively as shown - screw in the x4 bolts. When all bolts are screwed in place, tighten them 100%. Carefully adjust the feet (**5**) so support bar is supported evenly.

PREPARE TO INSTALL TV

Stage

2

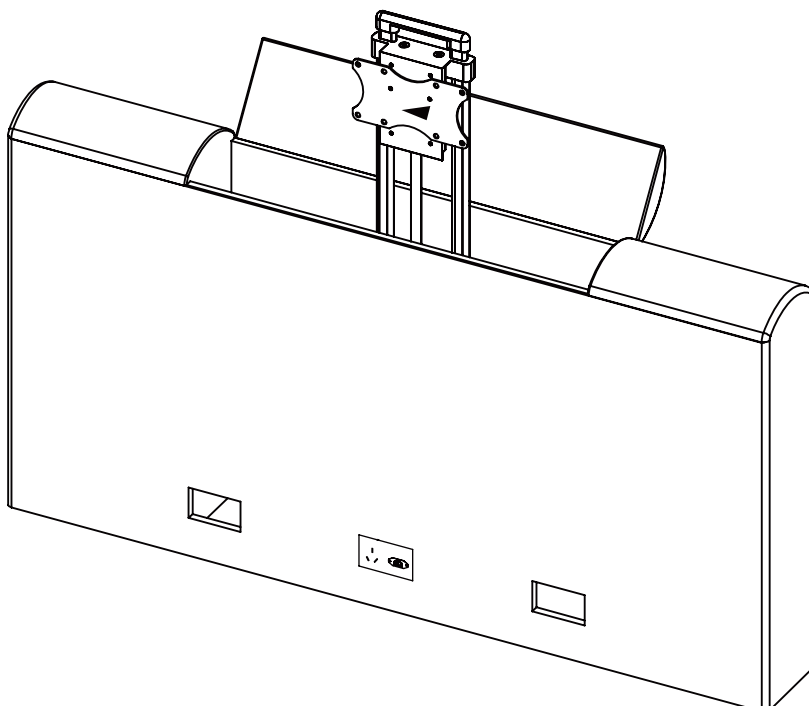
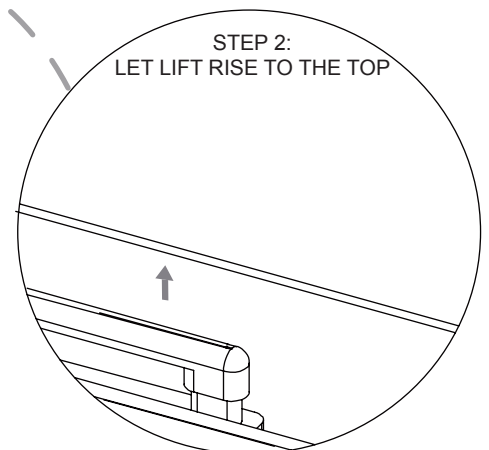
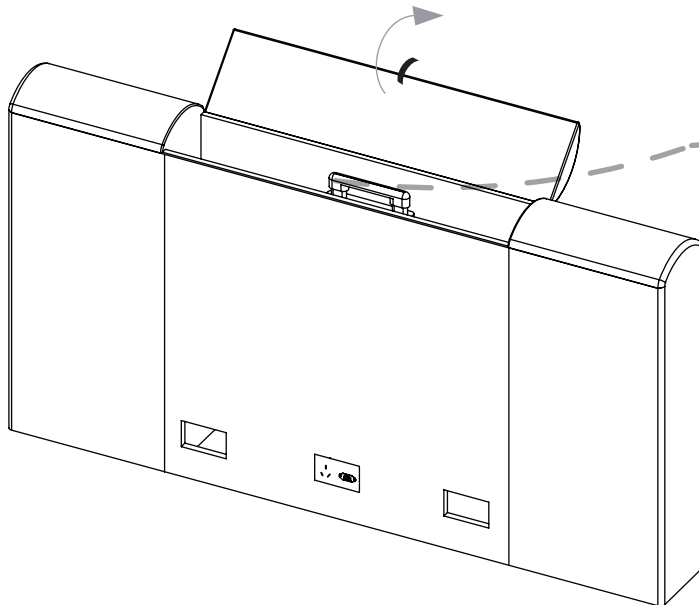
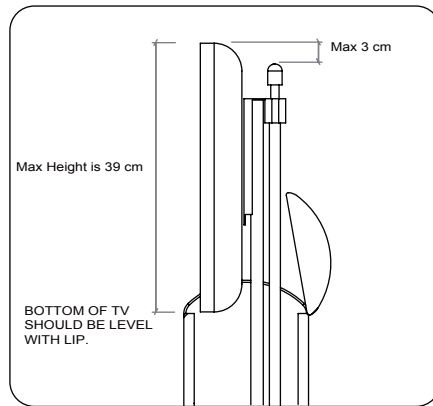
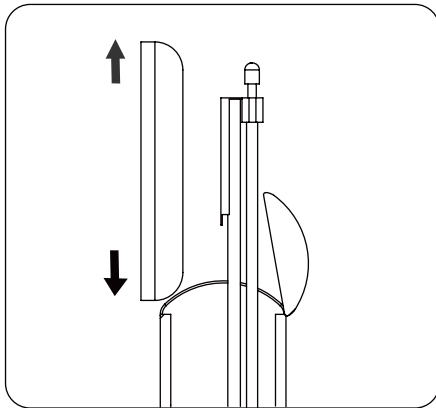
Before fitting the television to the TV lift, please check below:

Maximum dimensions of TV that can be used in this bed:

Width = 70 cm

Depth = 6 cm

Height = 39 cm



TV mounting bracket is factory fitted. If your TV has a 75 x 75mm VESA fixing - remove it & fit TV directly to column bracket.

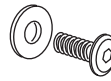
For 100x100mm or 200x100 VESA, use the TV mounting bracket. Fit to TV first making sure it is level. Use screws supplied with TV or from TV installation kit in main hardware pack. For any other Vesa mounting, please use an adaptor plate that can be purchased from an on-line store.

Fitting TV - Vesa 75x75

Stage
3a

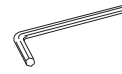
TV INSTALLATION KIT

L Screw-Washer set (M8/M6/M4)

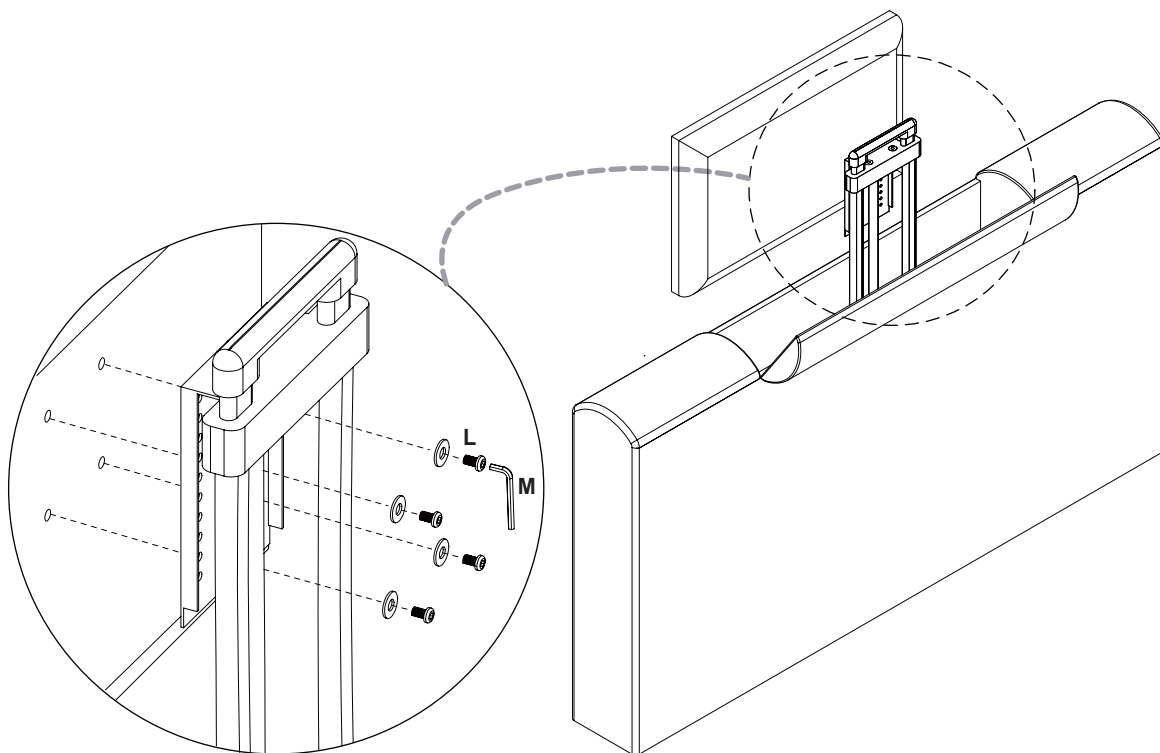
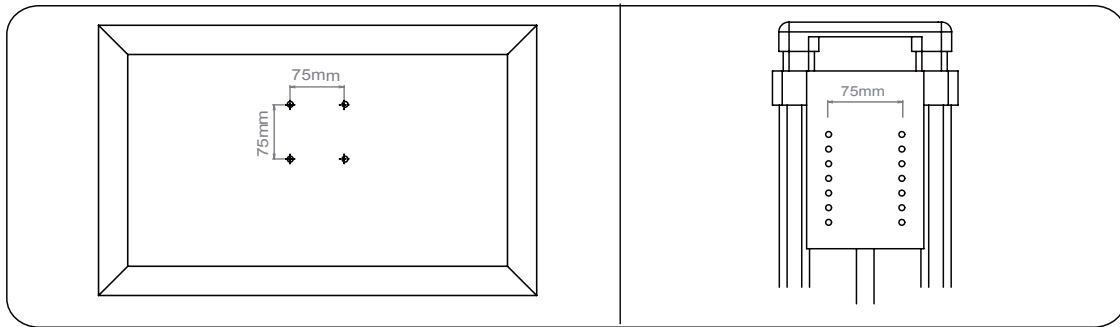


x4

M Allen Key (5mm/4mm/3mm)



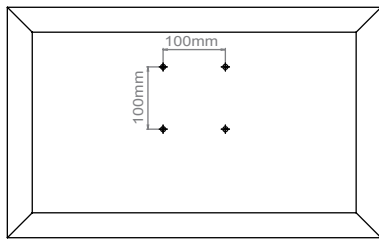
x1



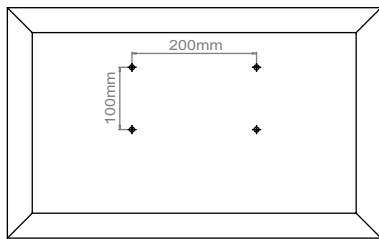
Fitting TV - Vesa 100x100 or 200x100

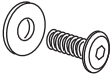



Stage
3b

TV INSTALLATION KIT

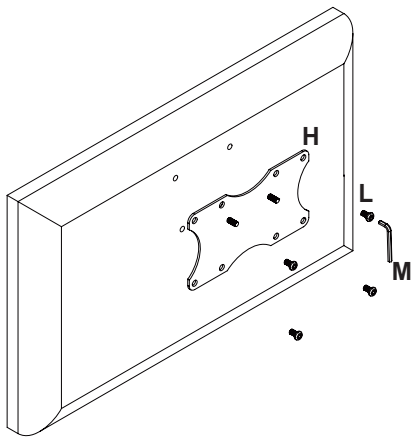


or

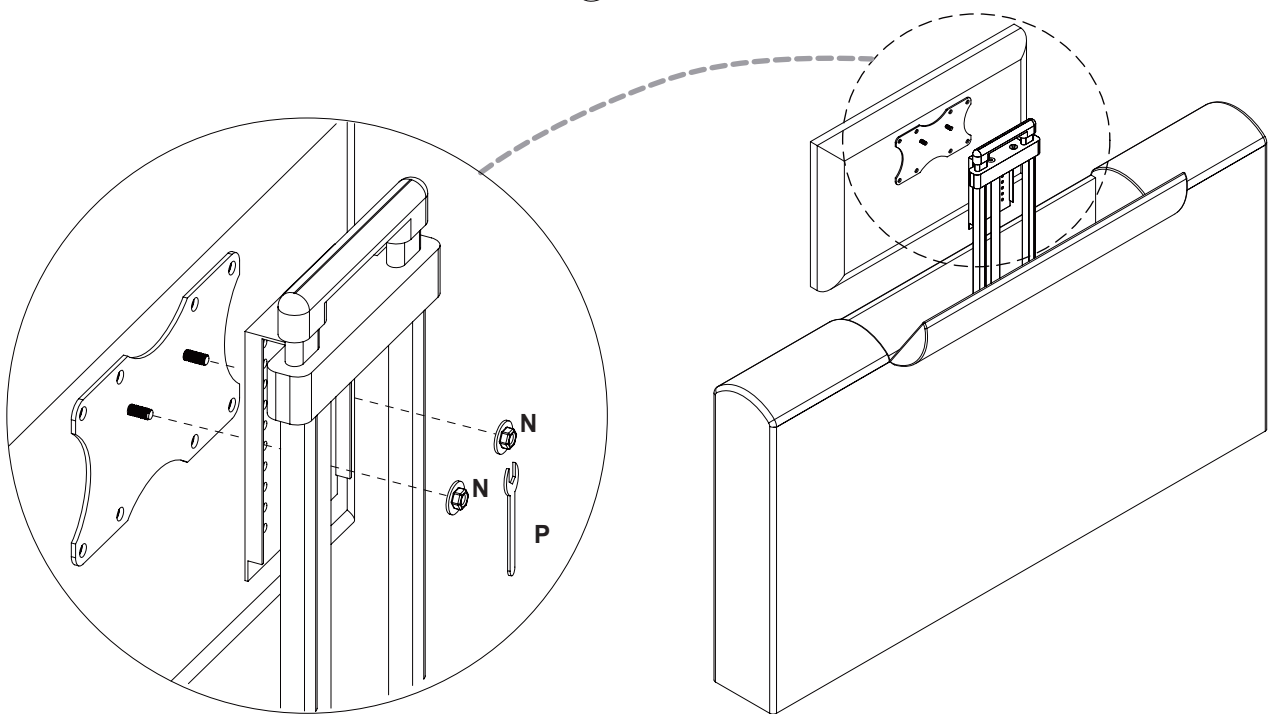
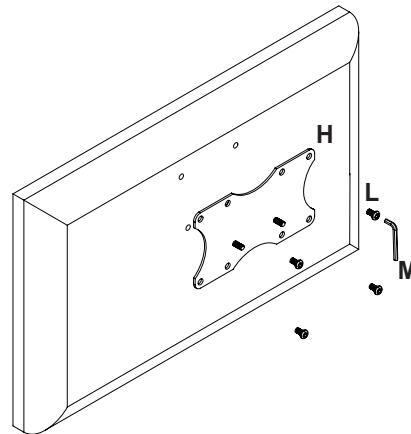


L	Screw-Washer set (M8/M6/M4)		x4
M	Allen Key (5mm/4mm/3mm)		x1
N	Nuts-Washer set (M6)		x2
P	Spanner for Nuts		x1

NOTE THAT THE BRACKET CAN BE TURNED UP-SIDE DOWN IF NECESSARY



or



TV Levelling Adjustment

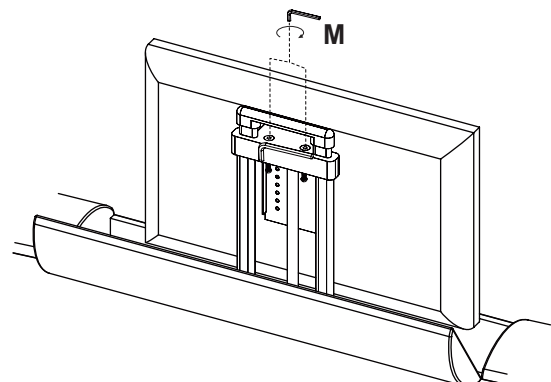
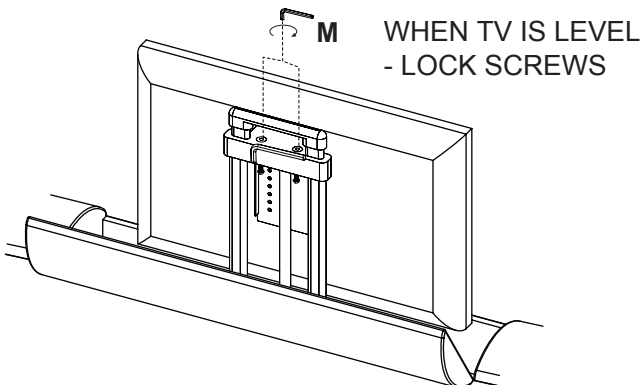
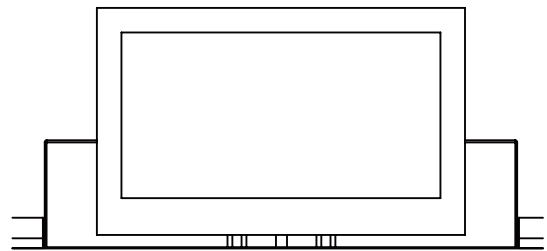
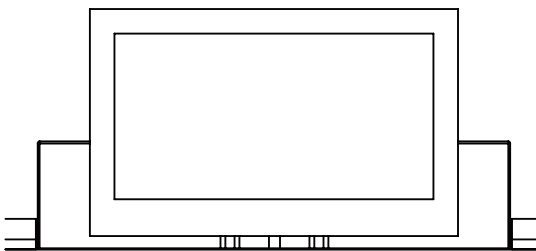
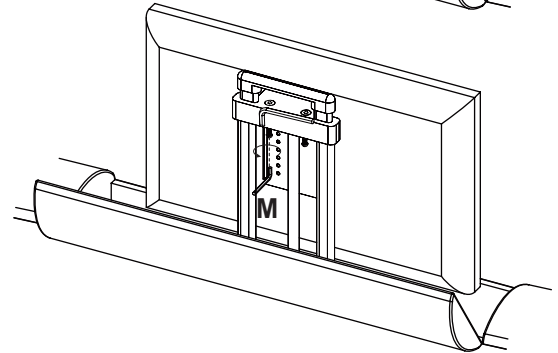
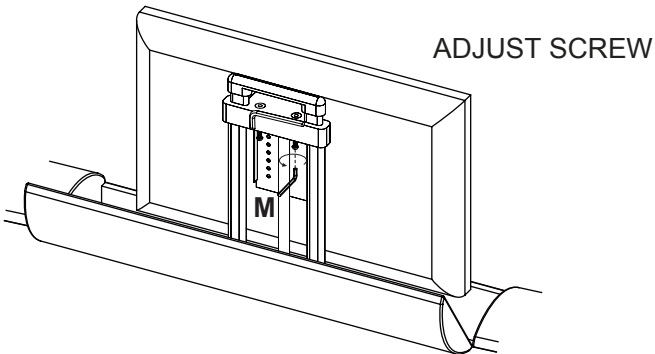
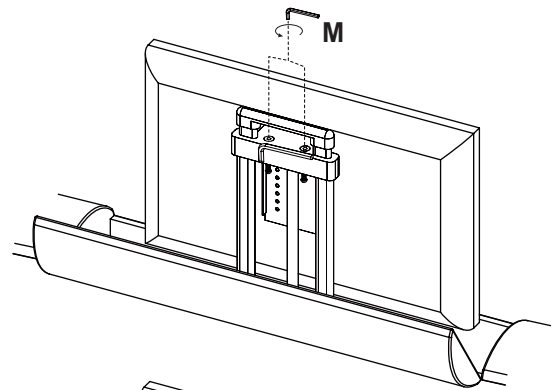
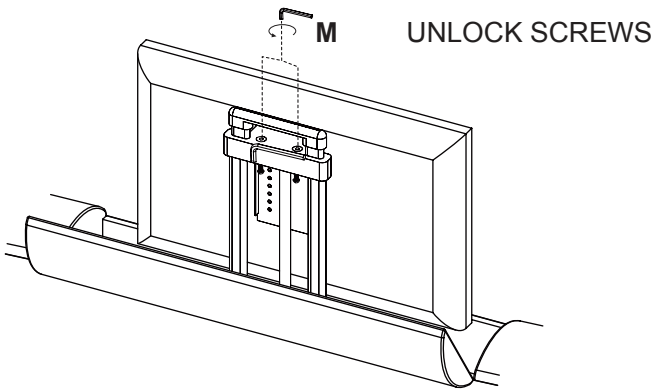
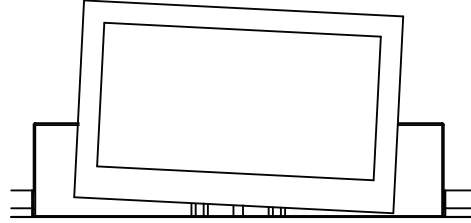
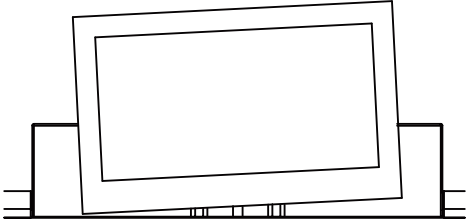
Stage
4

TV BRACKET IS LEVELLED DURING MANUFACTURE - IF YOU NEED TO DO IT AGAIN, FOLLOW THIS METHOD.

M Allen Key (4mm)



x1



Fitting Cables

Stage

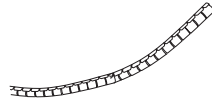
5

J

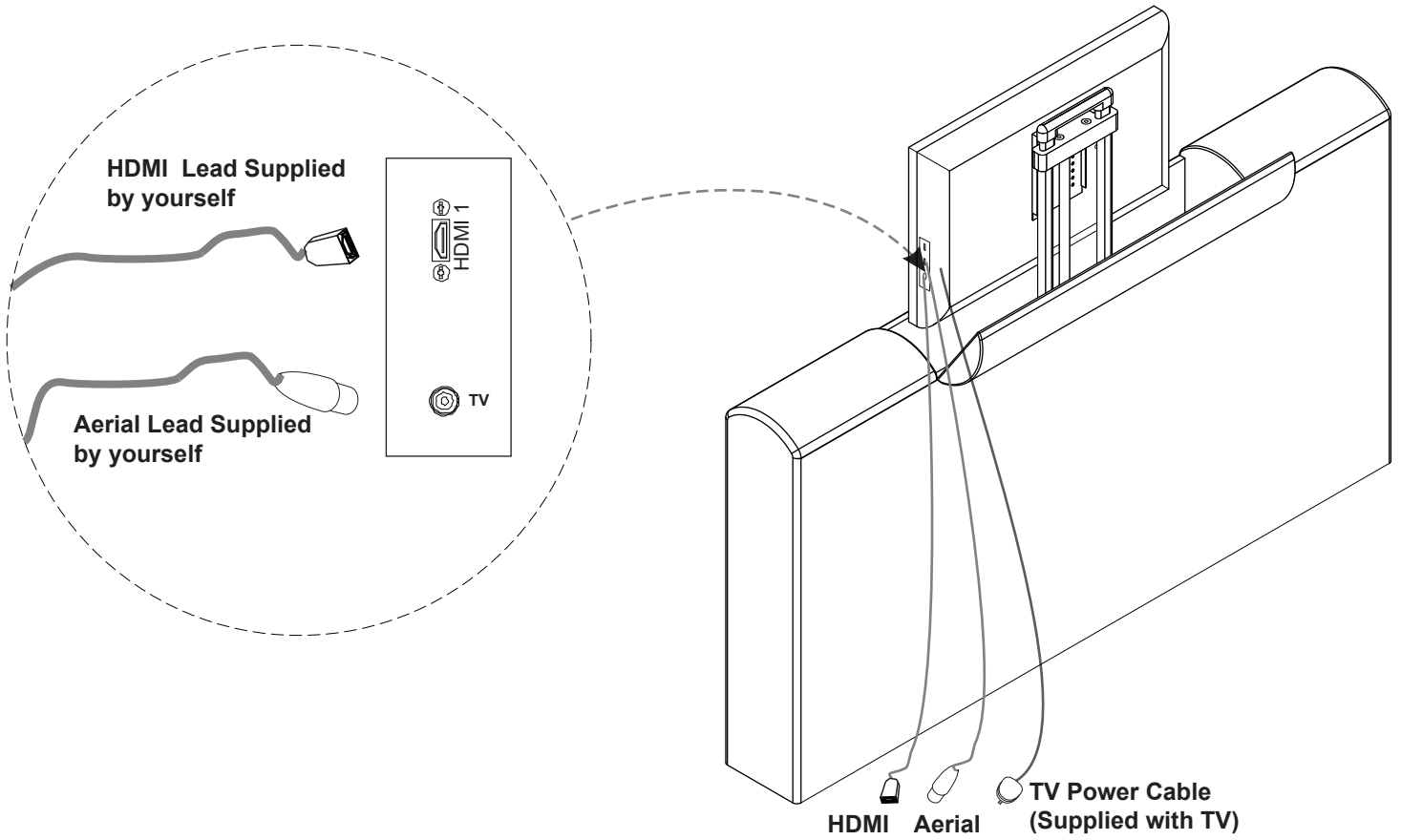


x1

K

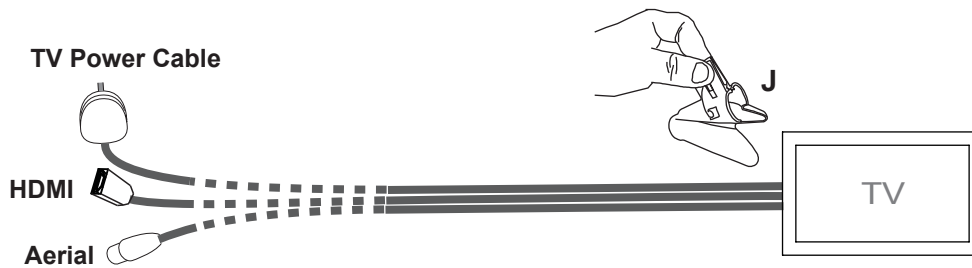


x1



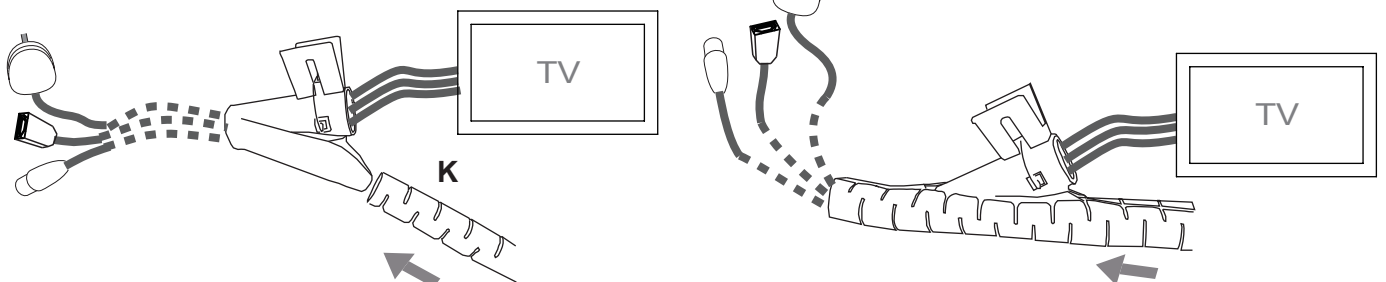
1

Close to TV, place the the cable manager clip over the cables.



2

3

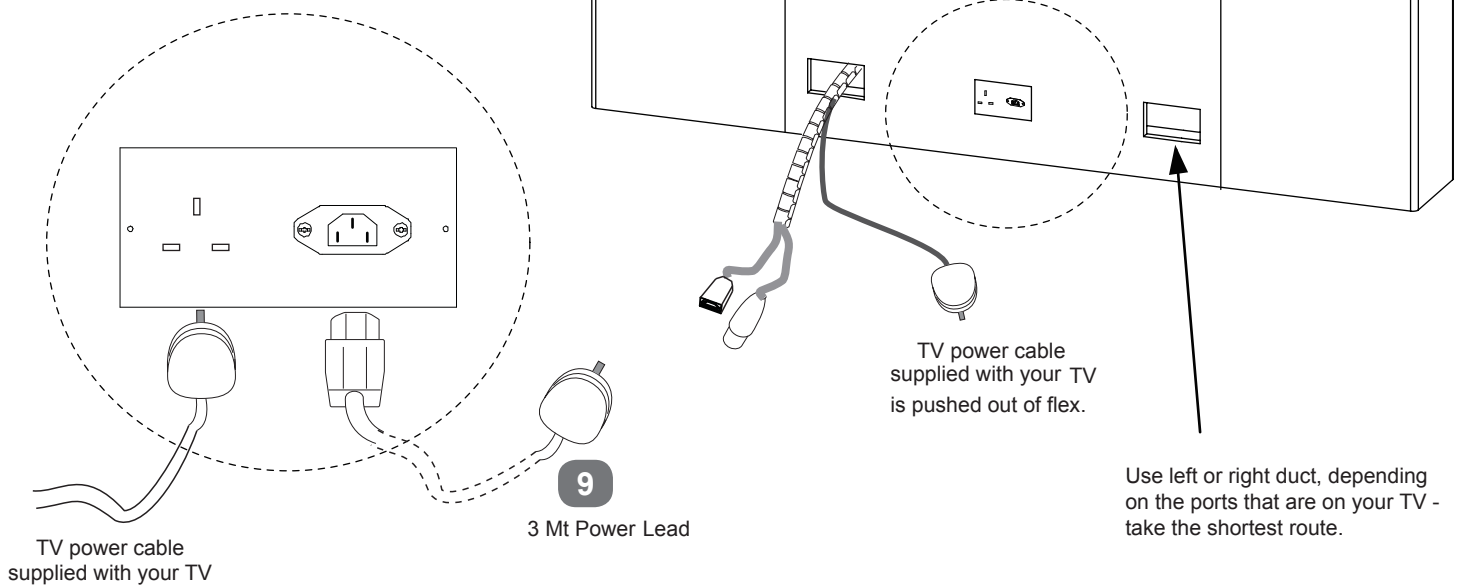


Feed tube in this direction-hold clip firmly in place

Connect Power Lead

Stage
6

Connect the power lead plug **(9)** into the socket located at the bottom of the footboard **(2)**, then connect to your wall socket. Note that the plug has an earth blade and the wall socket must have an earth terminal too. The plug connection must be easy to reach if you need to disconnect the power.



Plug the TV power cable into the socket at bottom of footboard then connect your own media cables as required.

Connect the cables to the television & media equipment making sure the cables are not loose. If necessary use cable ties & cable clips to route cables safely (10&11).

The television can now be operated following the TV Operation Manual.

To lower the television back into the footboard, push TV lift down until it locks - note when TV is fitted, it is easier to push due to balance of the weight.

When down, power for TV turns off automatically.

When TV is raised, power turns back on automatically.

Trouble shooting

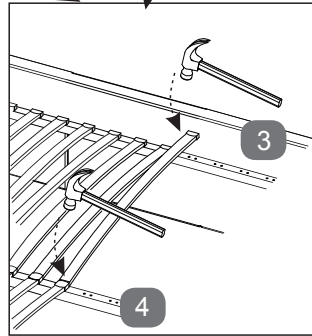
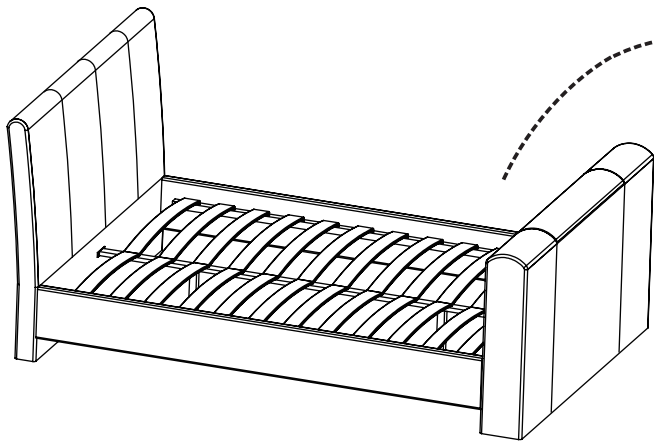
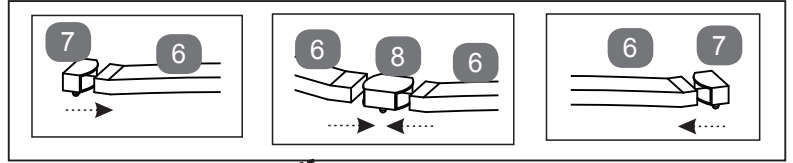
If your television does not operate please check all the power connections, both to the wall and to the socket in the footboard. Make sure TV is switched on.

Note: TV will only work when it is in the up position.

BED ASSEMBLY

Stage

7



Fix slats (6) to double plastic caps (8). Fix single plastic caps (7) on each end then connect caps to support rails of side-panels (3) and centre bar (4) tapping into holes with a light hammer or mallet.