



Birlea

Suppliers of inspiration

Vendor: S000238



ASSEMBLY INSTRUCTIONS CORONA 2 DOOR 1 SHELF FLAT SCREEN TV UNIT

IMPORTANT: READ THESE INSTRUCTIONS CAREFULLY BEFORE ATTEMPTING TO ASSEMBLE OR USE YOUR CORONA 2 DOOR 1 SHELF FLAT SCREEN TV UNIT

PLEASE KEEP THESE INSTRUCTIONS FOR FUTURE REFERENCE

ASSEMBLY INSTRUCTIONS:

Please check contents and read instructions carefully before commencing assembly

To avoid damages assemble the item on a soft, clean surface

HEALTH & SAFETY:

DO NOT use this item if any parts are missing, damaged or worn

DO NOT use this item unless all fixings are secured

Always use on a level, even surface

It is recommended that two people handle and assemble the item

CARE & MAINTENANCE: To enjoy your furniture for many years please follow our recommendations below:

This product is manufactured in pine which is a wood with natural characteristics including knots, grains, clusters or indentations

On unpacking the item you may notice an odour due to the production process. However, this will disappear after a period of time.

Do not place the item next to a radiator or direct sunlight – this item is manufactured in pine but is susceptible to temperature change. It is recommended an even room temperature be maintained with no sudden fluctuations.

Do not place hot or cold items directly onto the surface of the item – always use a placemat or marking will occur

For general cleaning use a duster or damp cloth (almost dry) not wet – do not use soap and water, detergents, aerosol sprays or any polish. The use of these materials would invalidate any claims.

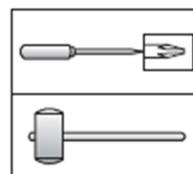
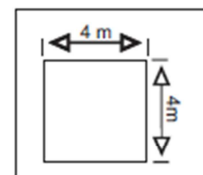
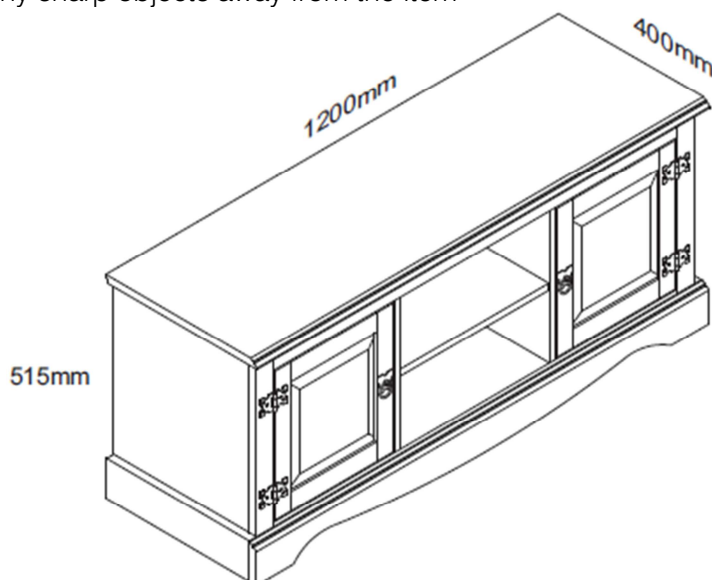
You may wish to retreat the surface to maintain the original finish – this can be done using block wax (unperfumed). Please follow the manufacturer's instructions carefully

Do not place the item onto wet or damp flooring as staining may occur to the floor

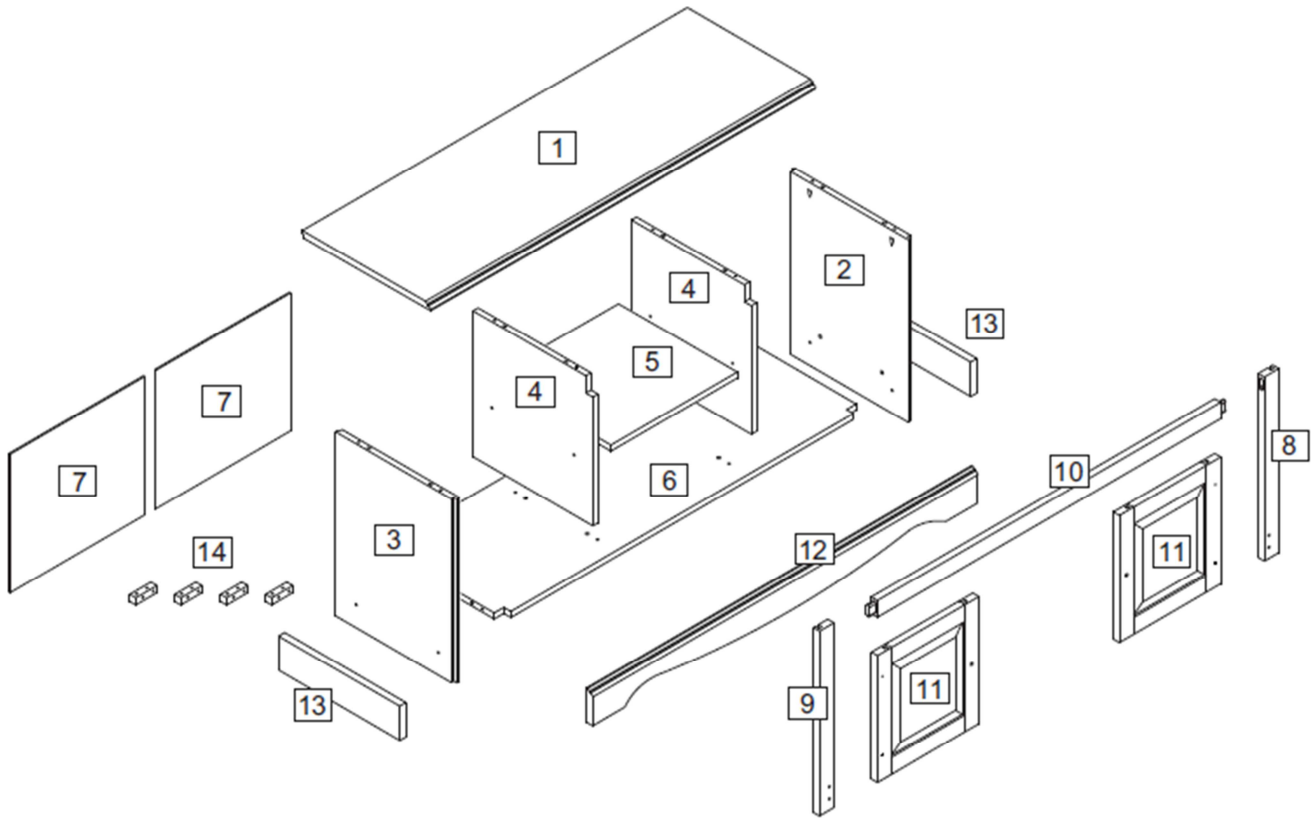
Periodically check all screws & fixings to ensure they are secure

DO NOT push the item as this will damage the base

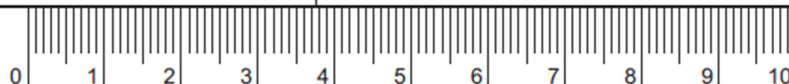
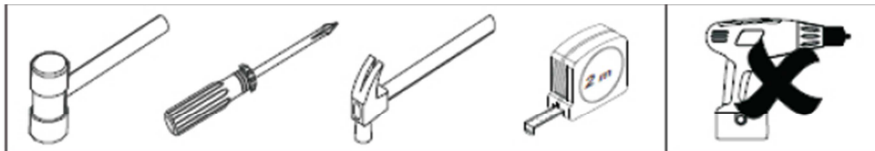
Keep any sharp objects away from the item



www.birlea.com

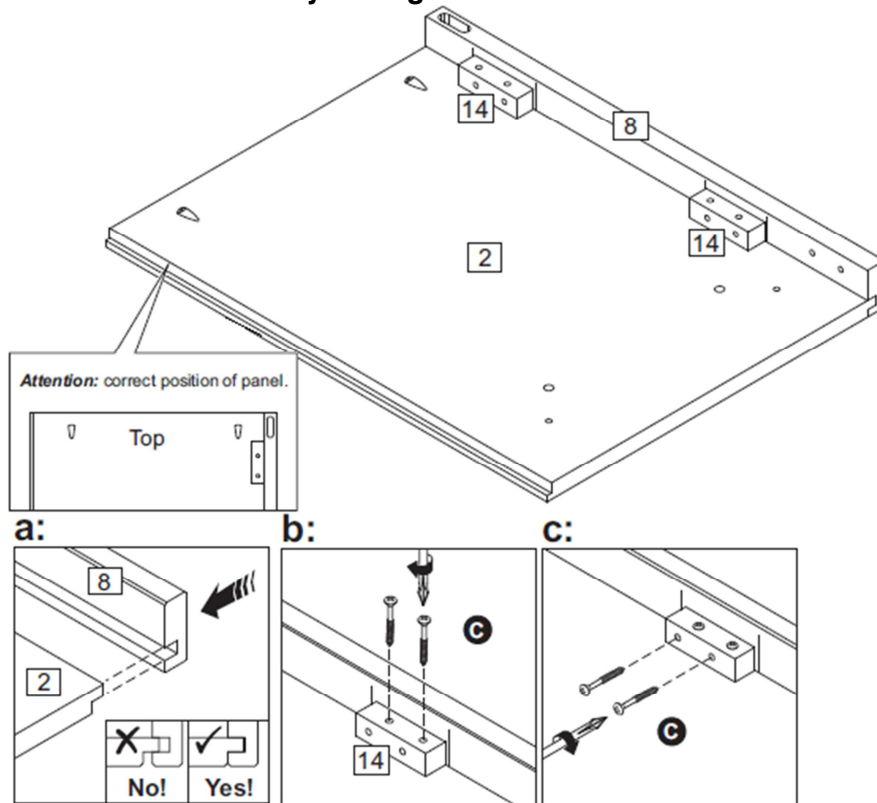


Parts List			Hardware List		
Part	Description	Qty	Part	Description	Qty
1	Top Panel	1	A	Wooden Dowel	16
2	Right Panel	1	B	14 mm Screw	34
3	Left Panel	1	C	30 mm Screw	24
4	Centre Panel	2	D	35 mm Screw	16
5	Shelf	1	E	19 mm Bolt	2
6	Base Panel	1	F	Handle	2
7	Back Panel	2	G	Hinge	4
8	Right Front Frame	1	H	Clip	2
9	Left Front Frame	1	J	Plug	2
10	Top Front Frame	1	K	Shelf Support	4
11	Door	2	L	Corner Bracket	1
12	Front Plinth	1	M	Tack	28
13	Side Plinth	2	** You will need a small mallet and a screwdriver		
14	Cleat	4			



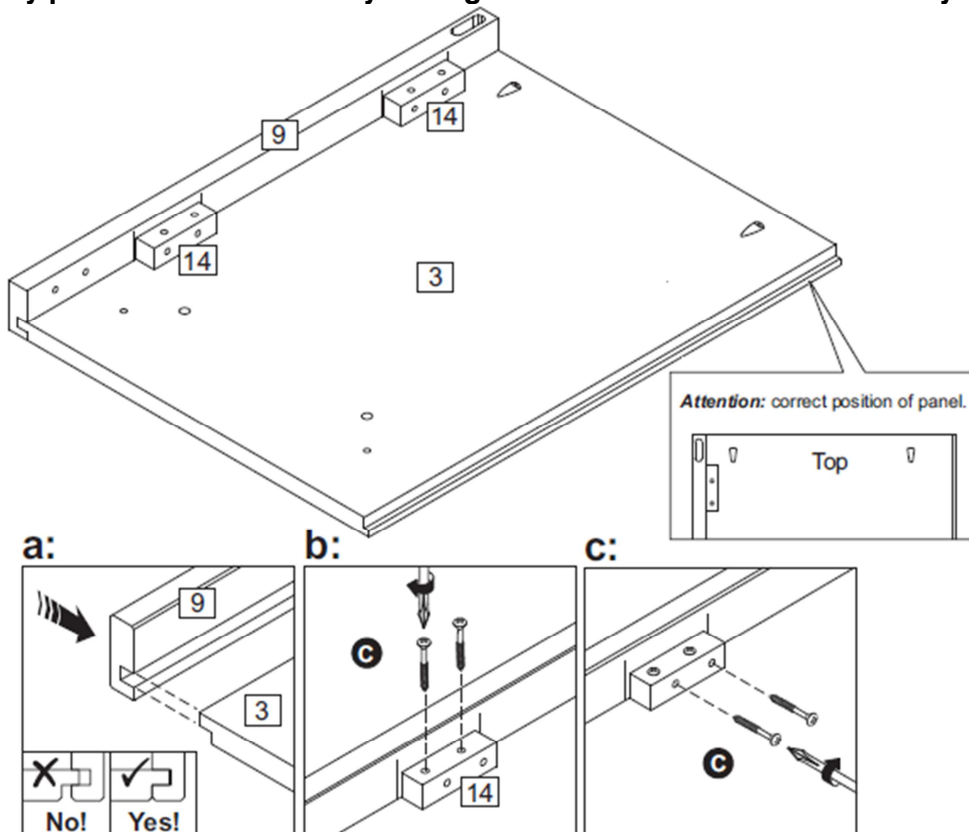
Step 1: Insert the right panel (2) into the right front frame (8) ensuring the parts are fully pushed together and lined up correctly. Place the cleats (14) between the marks as shown and secure using hardware part C and a screwdriver (not provided)

DO NOT use any power tools as this may damage the frame and will invalidate any claim



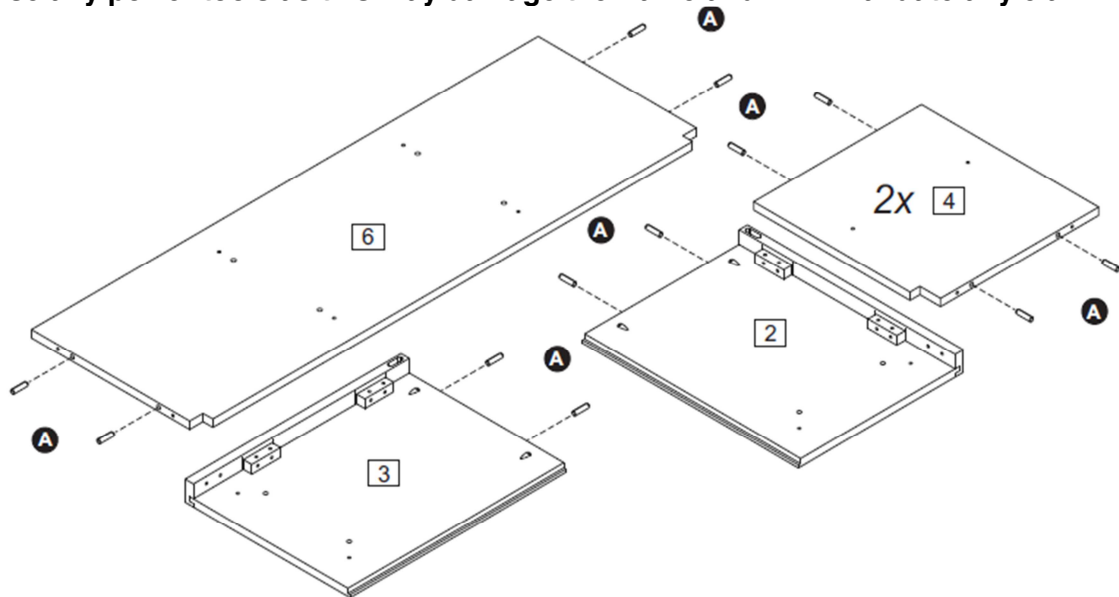
Step 2: Insert the left panel (3) into the left front frame (9) ensuring the parts are fully pushed together and lined up correctly. Place the cleats (14) between the marks as shown and secure using hardware part C and a screwdriver (not provided)

DO NOT use any power tools as this may damage the frame and will invalidate any claim



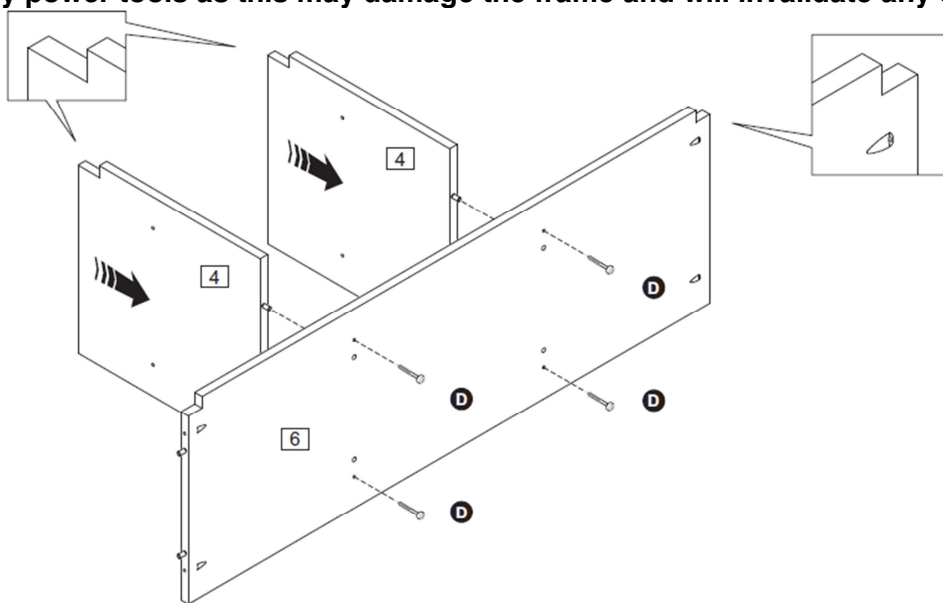
Step 3: Insert hardware part A using a small mallet (not provided)

DO NOT use any power tools as this may damage the frame and will invalidate any claim



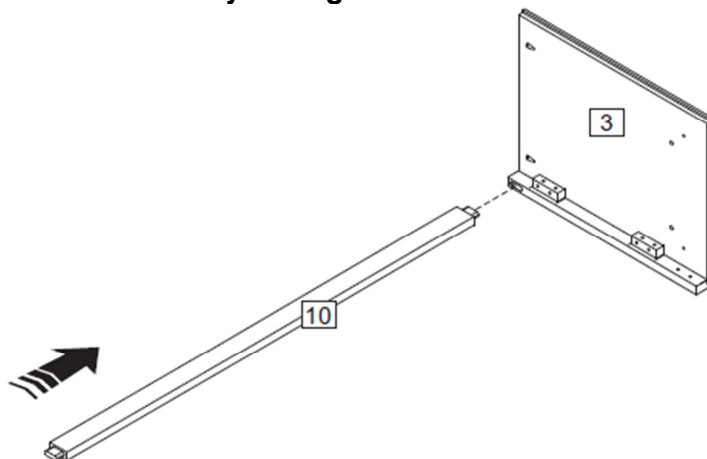
Step 4: Attach the centre panels (4) to the base panel (6) using hardware part D and a screwdriver (not provided)

DO NOT use any power tools as this may damage the frame and will invalidate any claim



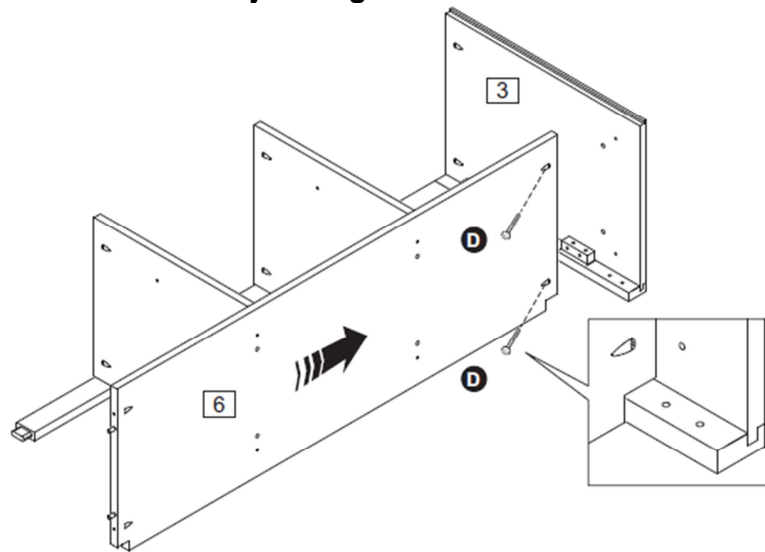
Step 5: Connect the top front frame (10) to the left panel (3)

DO NOT use any power tools as this may damage the frame and will invalidate any claim



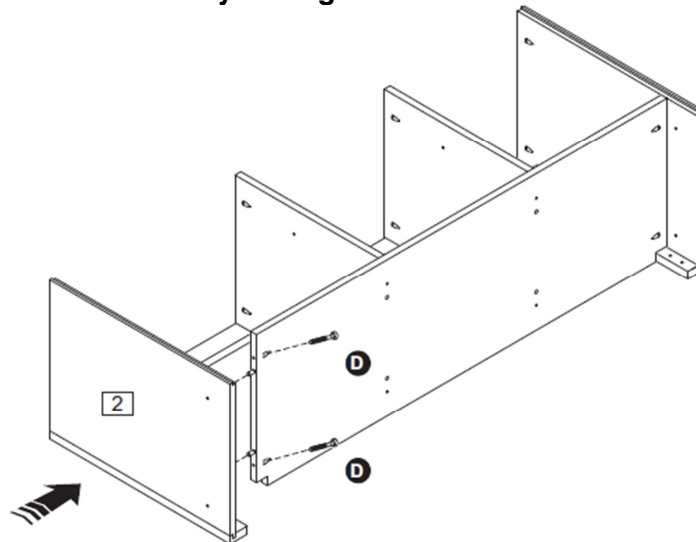
Step 6: Join the two assembled sections together and secure using hardware part D and a screwdriver (not provided)

DO NOT use any power tools as this may damage the frame and will invalidate any claim



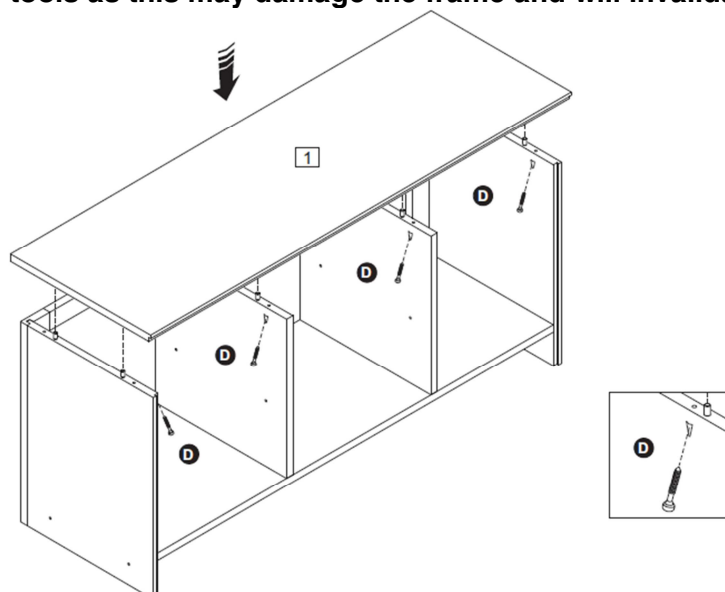
Step 7: Attach the right panel (2) using hardware part D and a screwdriver (not provided)

DO NOT use any power tools as this may damage the frame and will invalidate any claim



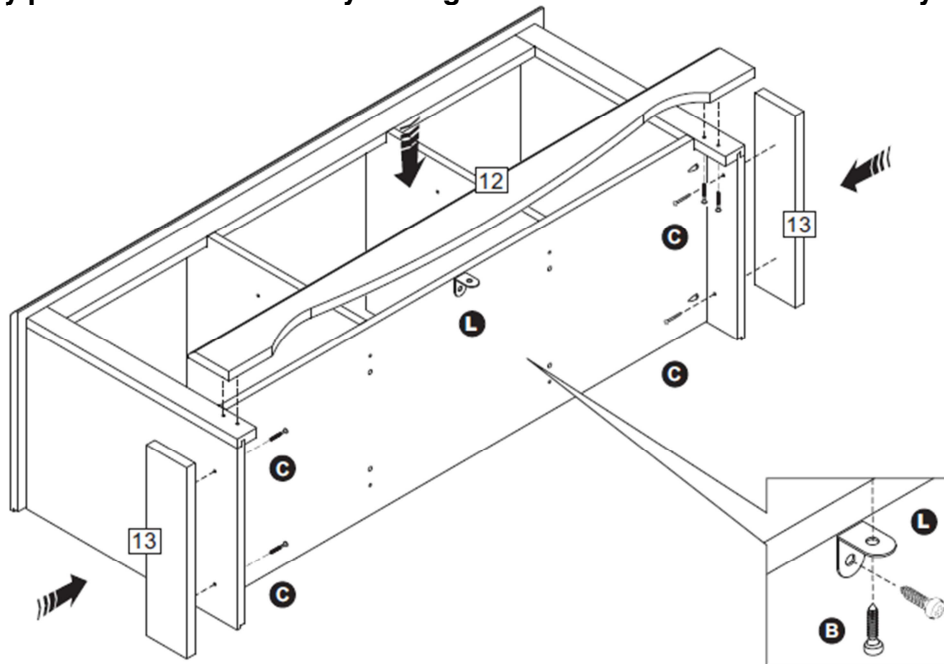
Step 8: Attach the top panel (1) using hardware part D and a screwdriver (not provided)

DO NOT use any power tools as this may damage the frame and will invalidate any claim



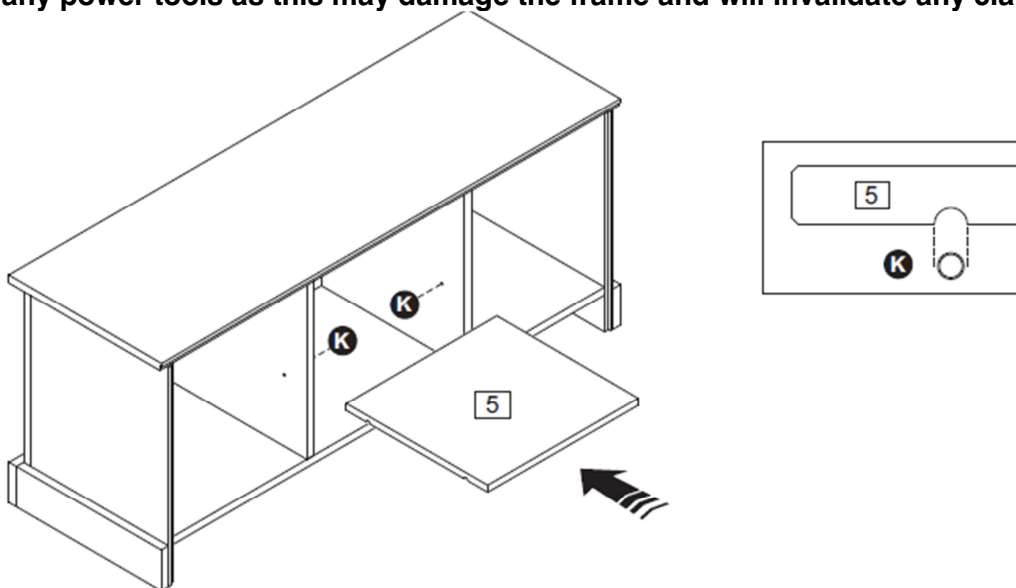
Step 9: Attach the side plinths (13) and front plinth (12) using hardware part C. Secure hardware part L using hardware part B. You will need to use a screwdriver (not provided)

DO NOT use any power tools as this may damage the frame and will invalidate any claim



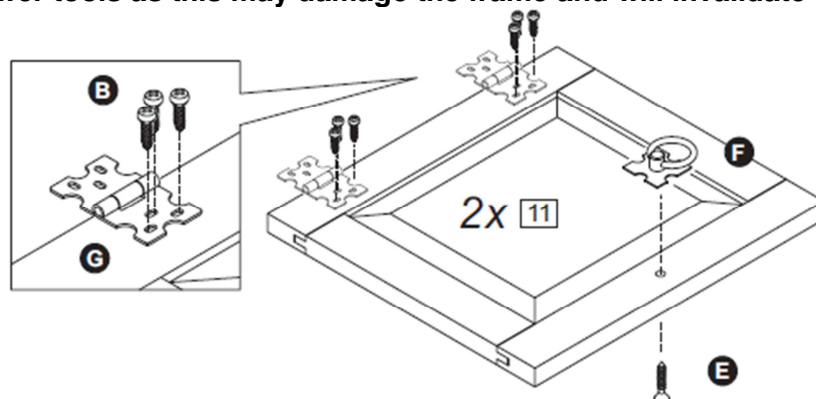
Step 10: Insert hardware part K using a small mallet (not provided) then insert the shelf (5)

DO NOT use any power tools as this may damage the frame and will invalidate any claim

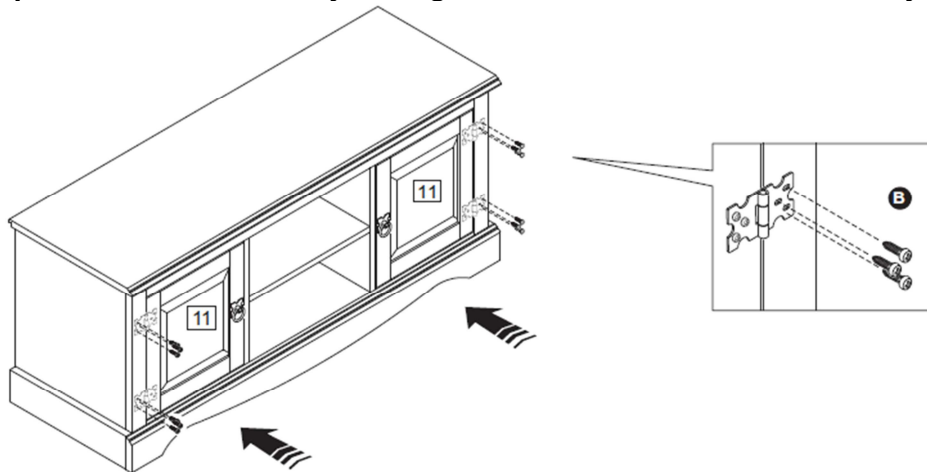


Step 11: Attach hardware part G using hardware part B, then secure hardware part F using hardware part E. You will need to use a screwdriver (not provided)

DO NOT use any power tools as this may damage the frame and will invalidate any claim

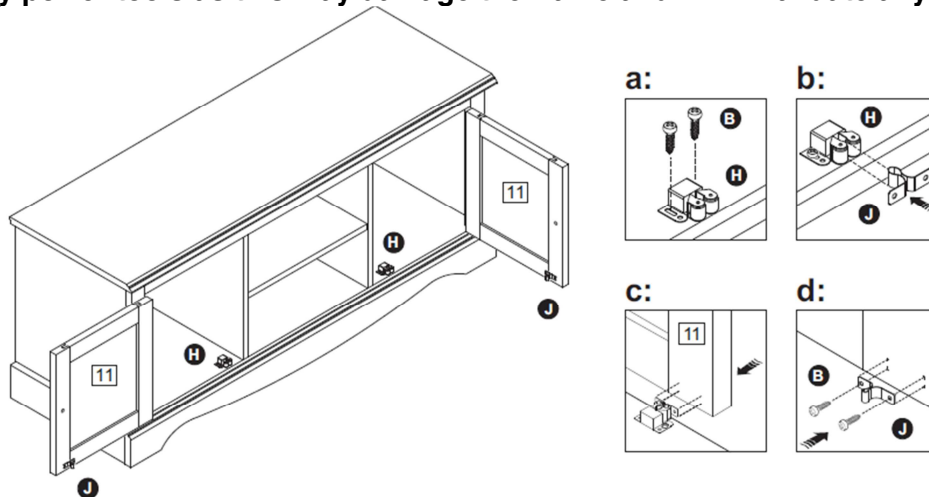


Step 12: Position the doors (11) and secure using hardware part B and a screwdriver (not provided)
DO NOT use any power tools as this may damage the frame and will invalidate any claim

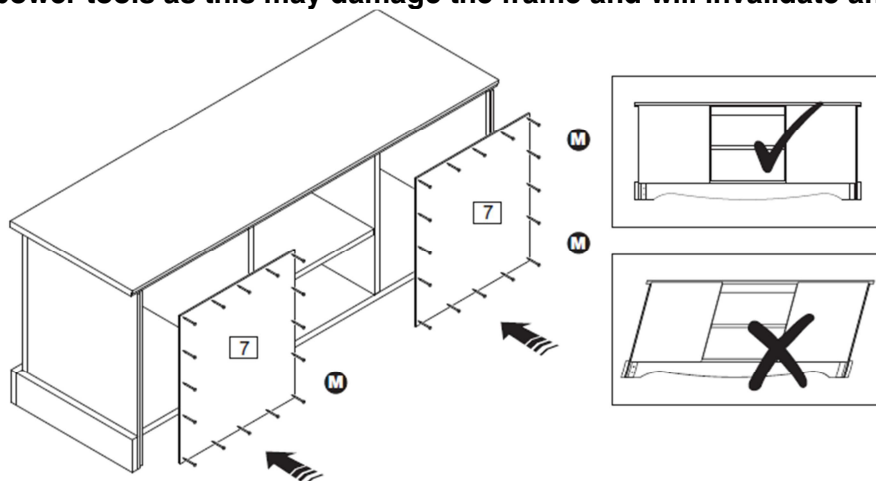


Step 13: Secure hardware part H using hardware part B ensuring the small wheels are flush with the edge of the base. Insert hardware part J ensuring they are level. Push the door against the hardware parts to make 2 small marks then attach hardware part J using hardware part B. You will need to use a screwdriver (not provided)

DO NOT use any power tools as this may damage the frame and will invalidate any claim



Step 14: Attach the back panels (7) using hardware part M and a small mallet (not provided)
DO NOT use any power tools as this may damage the frame and will invalidate any claim



For complete product information, images and dimension diagrams please visit www.birlea.com