



Birlea

Suppliers of inspiration

Vendor: S000059



ASSEMBLY INSTRUCTIONS **KENSINGTON 4'6 BED**

IMPORTANT: READ THESE INSTRUCTIONS CAREFULLY BEFORE ATTEMPTING TO ASSEMBLE OR USE YOUR KENSINGTON 4'6 BED FRAME

PLEASE KEEP THESE INSTRUCTIONS FOR FUTURE REFERENCE

HEALTH & SAFETY:

DO NOT jump on this bed frame

DO NOT use this bed frame if any parts are missing, damaged or worn

DO NOT use this bed frame unless all fixings are secured

Always use on a level, even surface

WARNING: If this bed is placed on a laminated floor you must place some protection under all legs to stop the bed frame from moving. If this is not adhered to there is no guarantee if the bed frame collapses

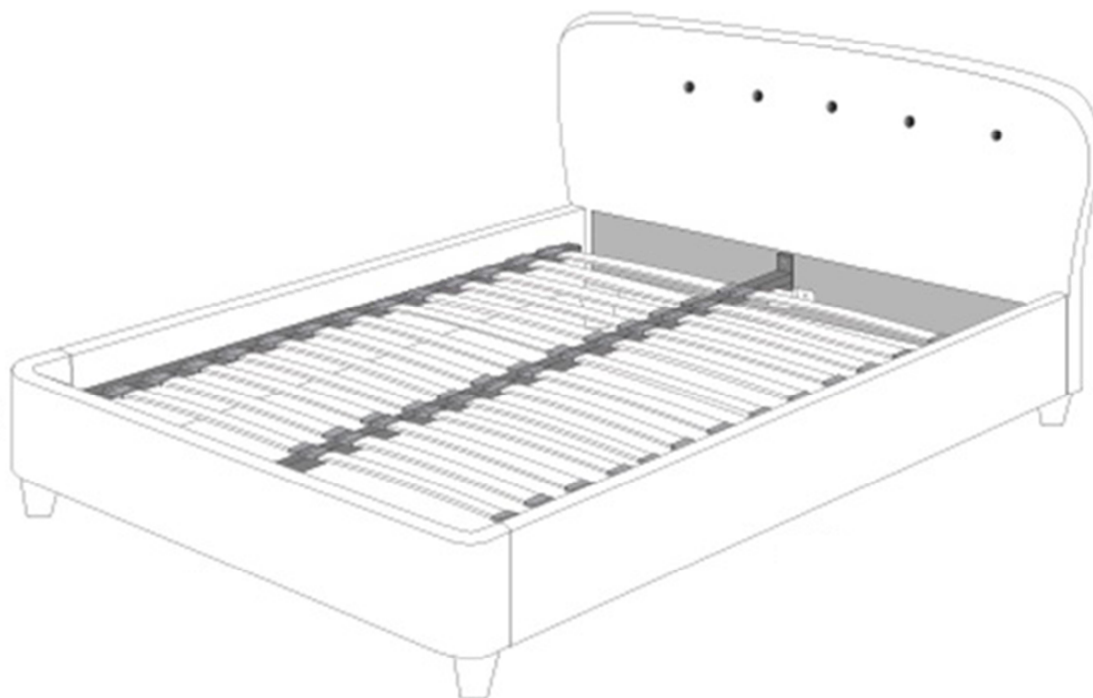
CARE & MAINTENANCE:

Periodically check all screws & fixings to ensure they are secure

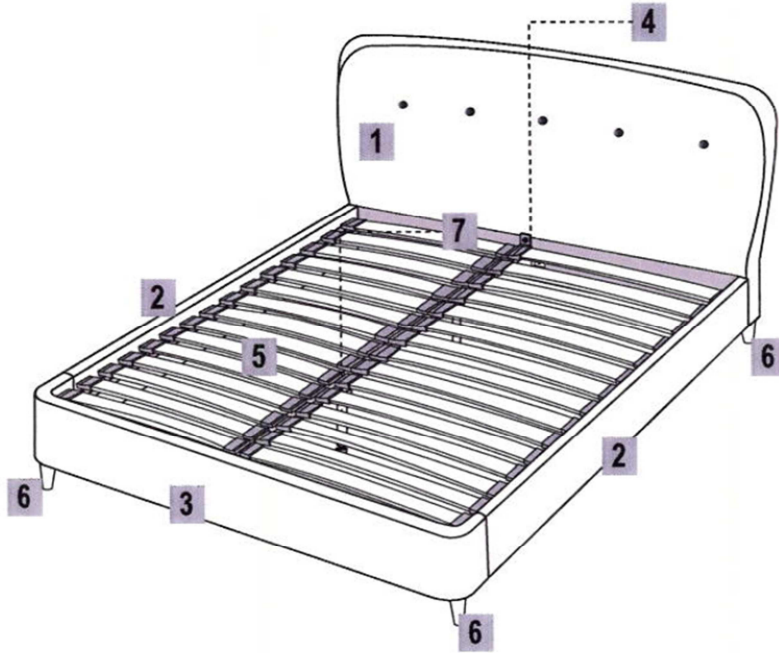
DO NOT push the bed frame as this will damage the legs

Always lift the bed with two people to reposition

Keep any sharp objects away from the frame

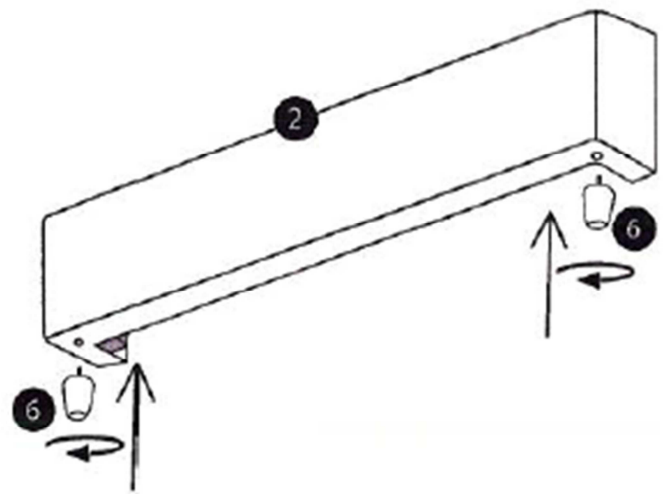
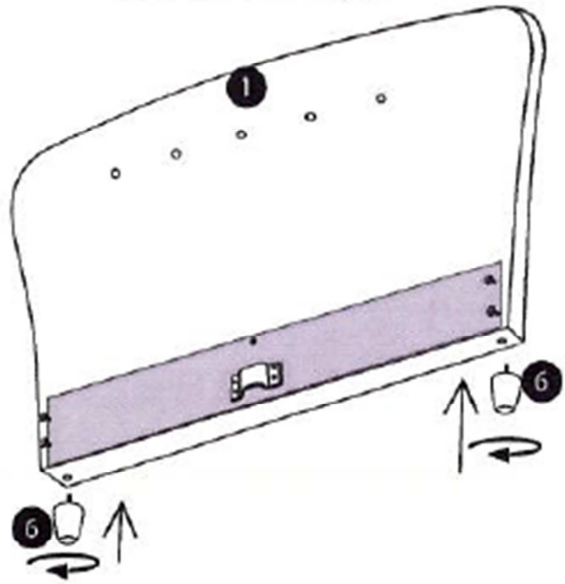


www.birlea.com



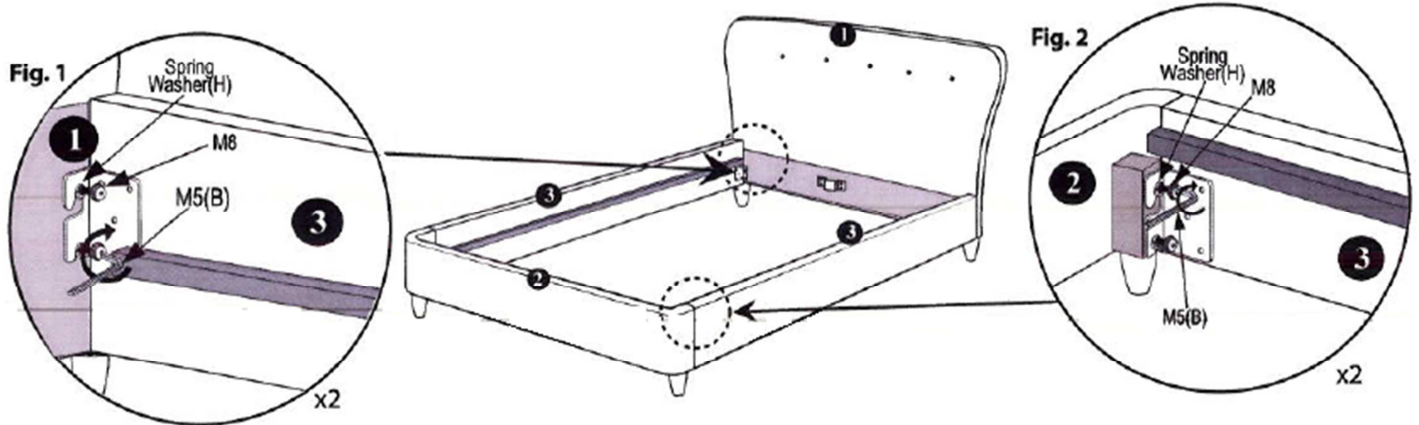
Parts List			Hardware List		
Part	Description	Qty	Part	Description	Qty
1	Headend	1	A	M6 x 25 mm JCBC Screw	2
2	Side Rail	2	B	M6 x 40 mm JCBC Screw	8
3	Footend	1	C	M4 Allen Key	1
4	Centre Rail	1	D	M5 Allen Key	1
5	Slat	26	E	Double Slat Cap	13
6	Leg	4	F	Single Slat Cap	26
7	Centre Leg	3			

Step 1: Insert the legs (6) to the headend (1) and footend (3) and twist to secure
DO NOT use any power tools as this may damage the frame and will invalidate any claim



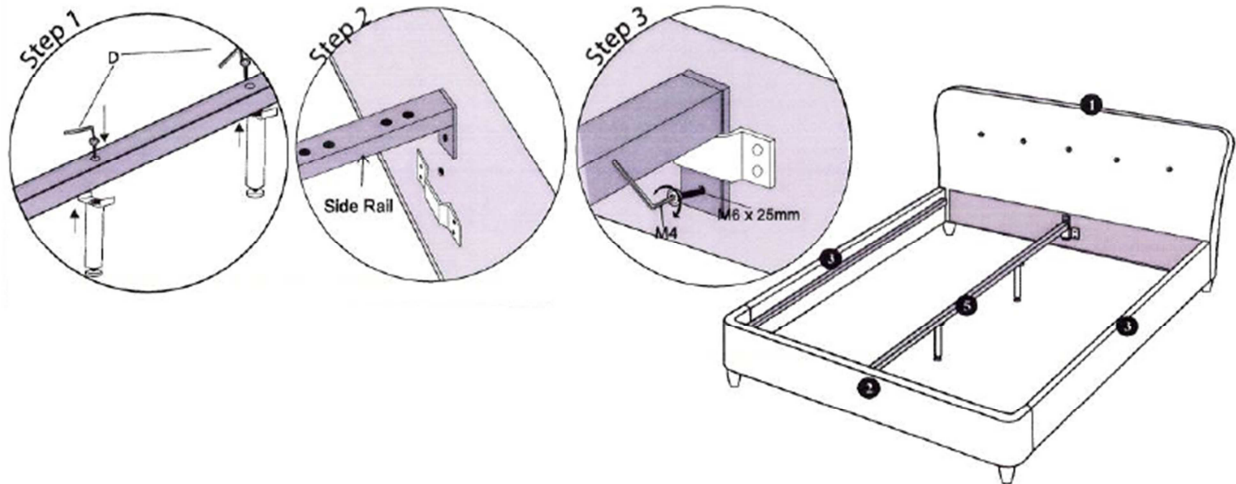
Step 2: Attach the side rails (2) to the headend (1) and footend (3) using the pre-inserted screws and the M5 Allen key

DO NOT use any power tools as this may damage the frame and will invalidate any claim



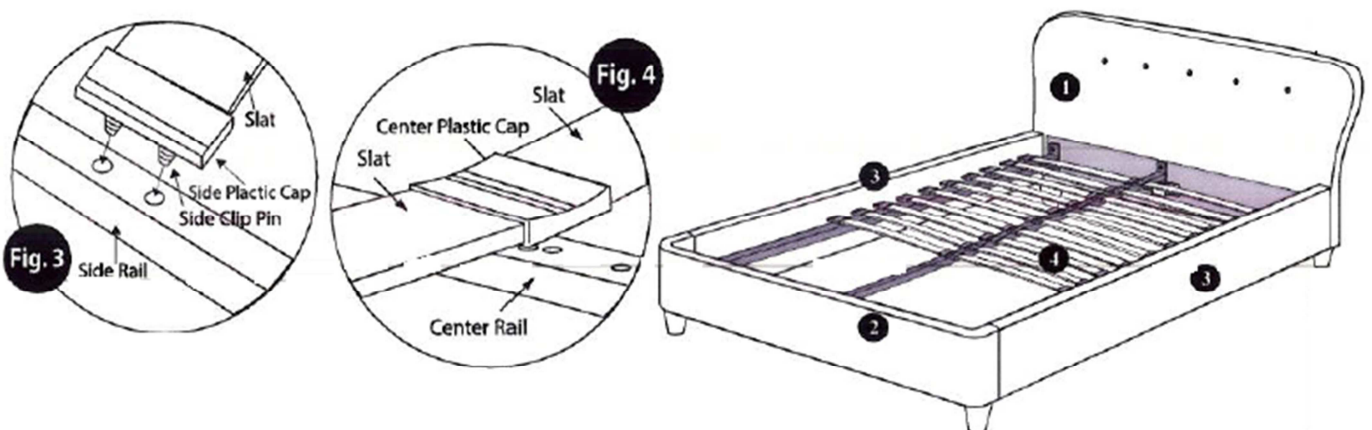
Step 3: Fix the centre legs (7) to the centre rail (4) using the M5 Allen key, then attach the rail to the headend (1) and footend (2) using hardware part A and the M4 Allen key

DO NOT use any power tools as this may damage the frame and will invalidate any claim



Step 4: Fix the slats (5) to the side rails (2) using hardware parts E and F

DO NOT use any power tools as this may damage the frame and will invalidate any claim



For complete product information, images and dimension diagrams please visit www.birlea.com